

Industrial Circular Series Connector



Industrial Circular-30**Industrial Circular-30 Series (Input Type)**

Industrial Circular-30 series connector product are available to meet Industry 4.0 automation control equipment. Can be used at Signal Transmission, Power, Sensor and Cable Connection.

Specification

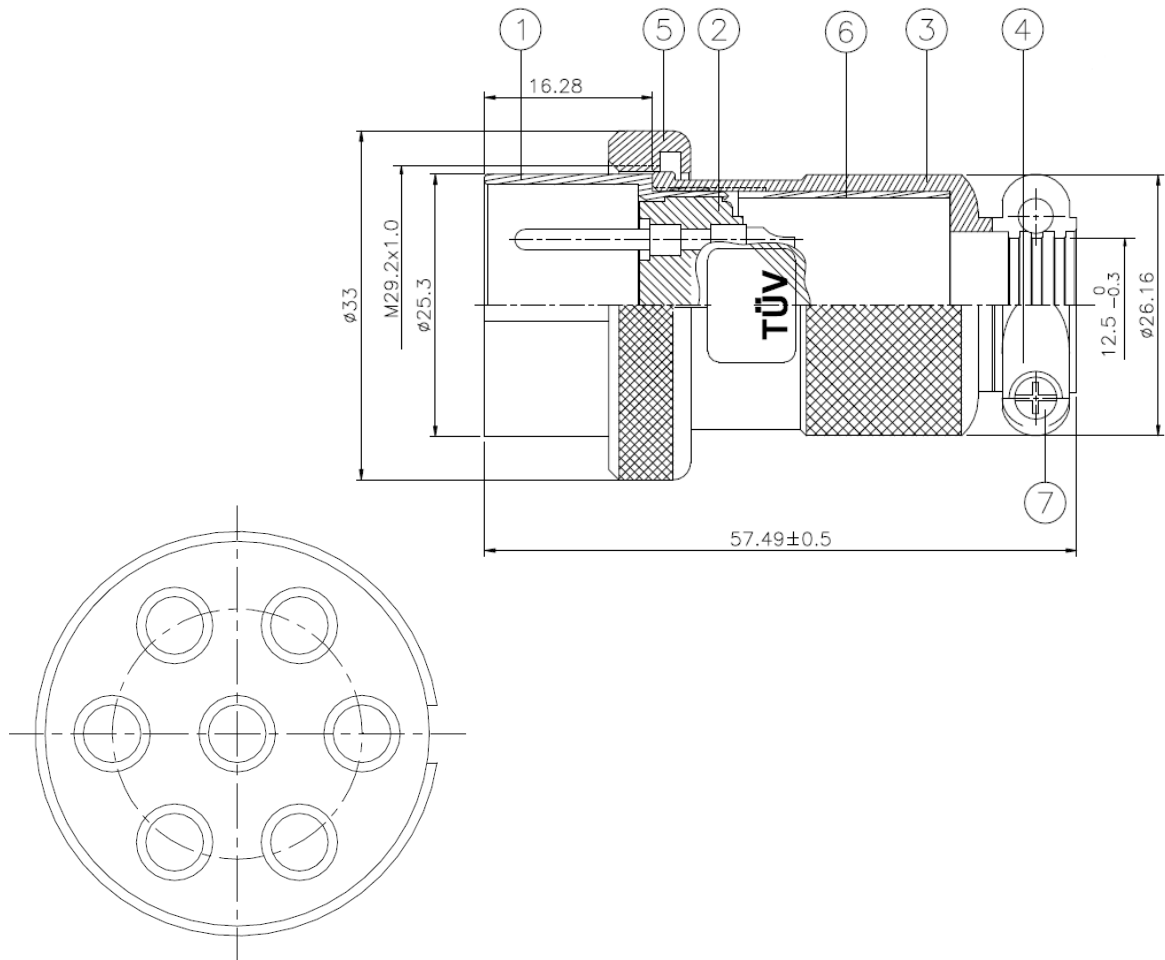
Part Number	PZAAAPLTA30071
Product Series	Industrial Circular Series Connector
Connector Type	Plug Male
Shell Size	30
No. Of Contact	7 Pin
Current Rating	15A
Voltage Rating	250V
Operating voltage limit	400AC
Withstanding voltage	1800AC
Insulation resistance	2000AC
Contact resistance	45A
Mating Cycles	500

Application

Servo Motors	Automobiles
Power	Electric Vehicles
Electronics & Electrical	Communication Equipment
Mechanical	Military Applications
Medical Equipment	Industrial Application

Industrial Circular-30

Plug Male Interface Dimensions



Product Material

1.BODY	Zn ALLOY
2.INSULATOR	BAKELITE
3.BODY	Zn ALLOY
4.CLAMP	Zn ALLOY
5.CAP	Zn ALLOY
6.TUBE	PE
7.SCREW	COPPER ALLOY