

Industrial Square Series Connector



Industrial square-24

Industrial Square-24 Series (Input Type)

Industrial Square-24 series connector product are available to meet Industry 4.0 automation control equipment. Can be used at Signal Transmission, Power, Sensor and Cable Connection.

Specification

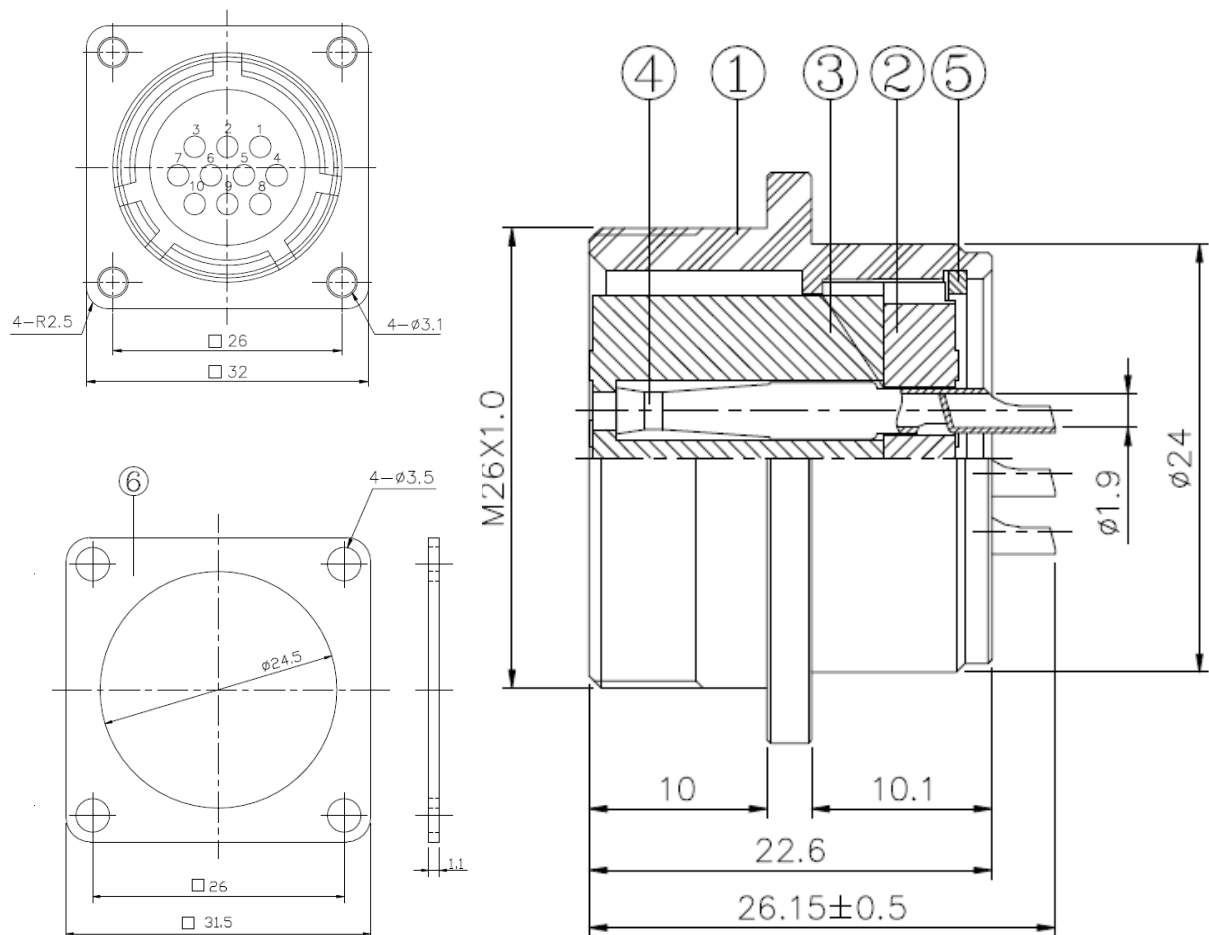
Part Number	PZAAAPLSD24101
Product Series	Industrial Square Series Connector
Connector Type	Receptacle Female
Shell Size	24
No. Of Contact	10 Pin
Current Rating	10A
Voltage Rating	250V
Operating voltage limit	250AC
Withstanding voltage	1000AC
Insulation resistance	2000AC
Contact resistance	30
Mating Cycles	500

Application

Servo Motors	Automobiles
Power	Electric Vehicles
Electronics & Electrical	Communication Equipment
Mechanical	Military Applications
Medical Equipment	Industrial Application

Industrial square-24

Receptacle Female Interface Dimensions



Product Material

1.BODY	Zn ALLOY
3.INSULATOR	BAKELITE
4.INSULATOR	BAKELITE
5.CONTACT	COPPER ALLOY
6.BUCKLE	Stainless Steel
7.PAD	RUBBER