

**Industrial Square Series Connector**



## Industrial square-20

### Industrial Square-20 Series (Input Type)

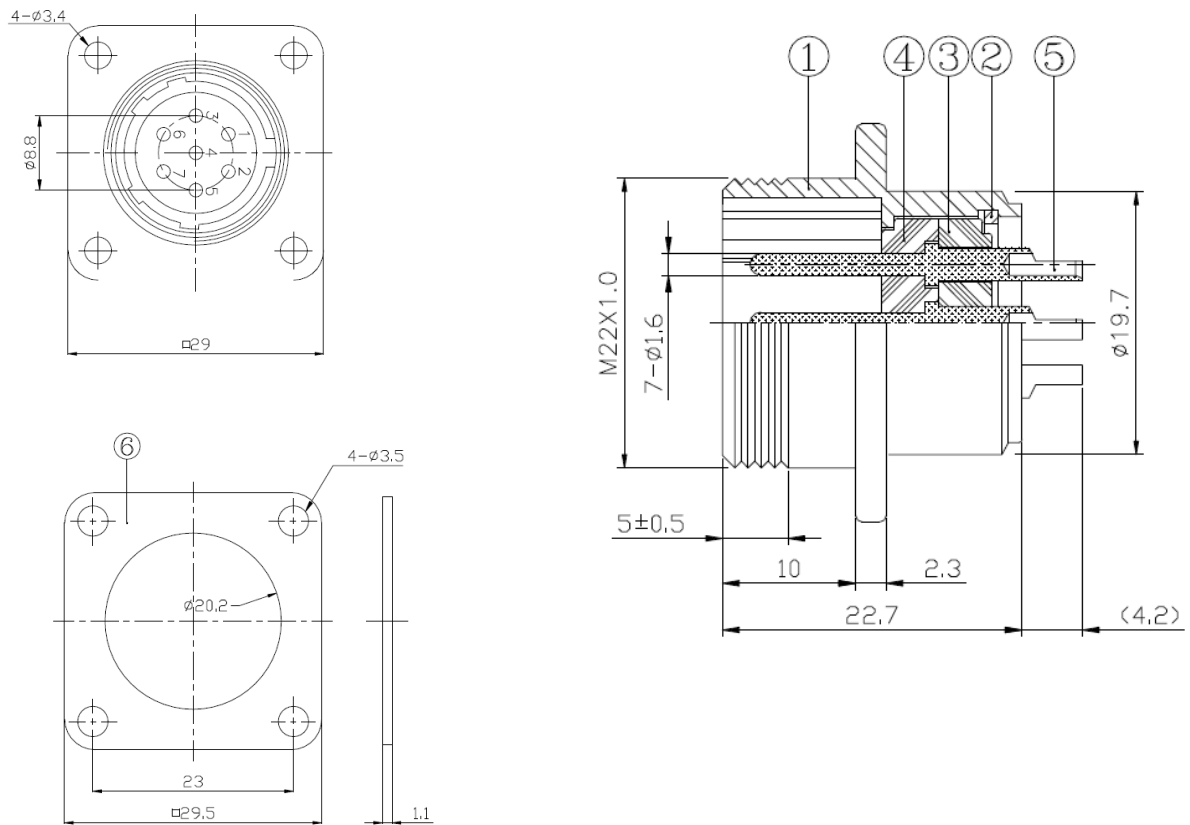
Industrial Square-20 series connector product are available to meet Industry 4.0 automation control equipment. Can be used at Signal Transmission, Power, Sensor and Cable Connection.

Specification	
Part Number	PZAAAPLSC20071
Product Series	Industrial Square Series Connector
Connector Type	Receptacle Female
Shell Size	20
No. Of Contact	7 Pin
Current Rating	10A
Voltage Rating	250V
Operating voltage limit	200AC
Withstanding voltage	1000AC
Insulation resistance	2000AC
Contact resistance	30
Mating Cycles	500

Application	
Servo Motors	Automobiles
Power	Electric Vehicles
Electronics & Electrical	Communication Equipment
Mechanical	Military Applications
Medical Equipment	Industrial Application

## Industrial square-20

### Receptacle Female Interface Dimensions



### Product Material

1.BODY	Zn ALLOY
2.BUCKLE	Stainless Steel
3.INSULATOR	BAKELITE
4.INSULATOR	BAKELITE
5.CONTACT	COPPER ALLOY
6.PAD	RUBBER