

## Industrial Square Series Connector



## Industrial square-28

### Industrial Square-28 Series (Input Type)

Industrial Square-28 series connector product are available to meet Industry 4.0 automation control equipment. Can be used at Signal Transmission, Power, Sensor and Cable Connection.

#### Specification

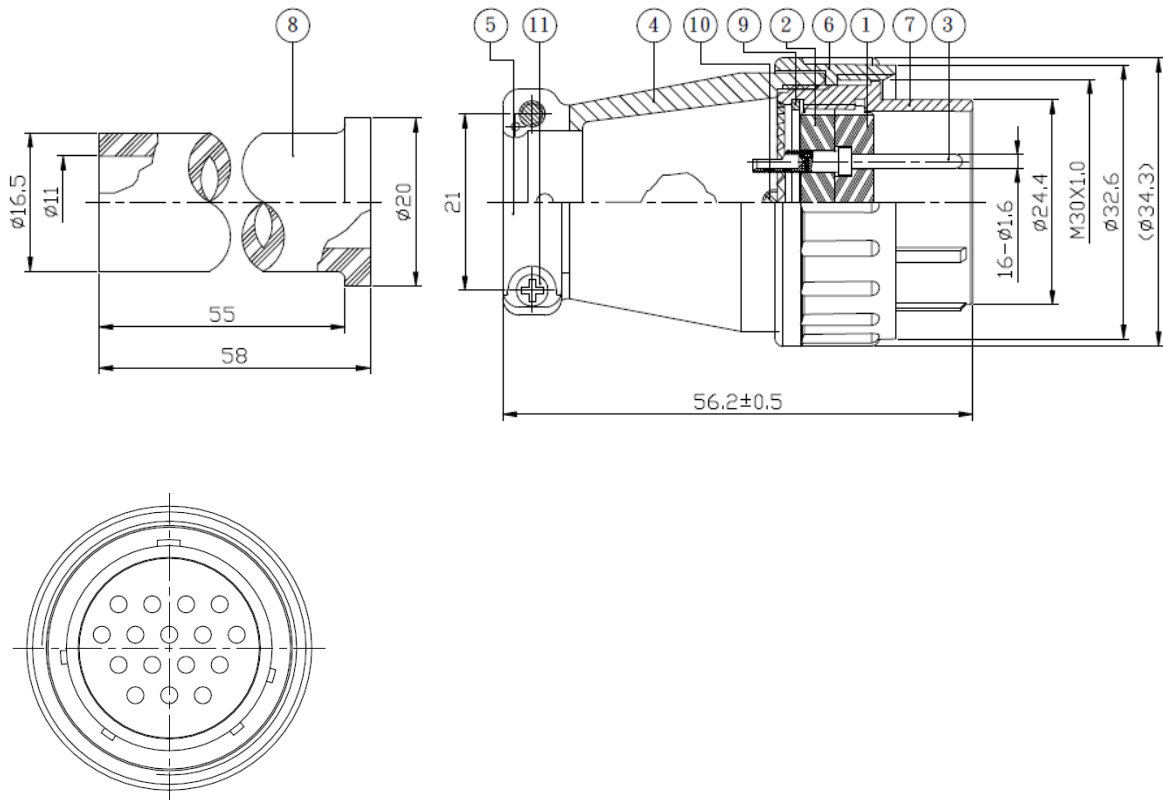
Part Number	PZAAAPLSA28161
Product Series	Industrial Square Series Connector
Connector Type	Plug Male
Shell Size	28
No. Of Contact	16 Pin
Current Rating	5A
Voltage Rating	250V
Operating voltage limit	250AC
Withstanding voltage	1000AC
Insulation resistance	1000AC
Contact resistance	25A
Mating Cycles	500

#### Application

Servo Motors	Automobiles
Power	Electric Vehicles
Electronics & Electrical	Communication Equipment
Mechanical	Military Applications
Medical Equipment	Industrial Application

## Industrial square-28

### Plug Male Interface Dimensions



### Product Material

1. COVER INSULATOR	BAKELITE
2. COVER INSULATOR	BAKELITE
3. CONTACT	COOPER ALLOY
4. BODY	Zn ALLOY
5. CLAMP	Zn ALLOY
6. CAP	Zn ALLOY
7. TOOTH BODY	Zn ALLOY
8. PIPE	RUBBER
9. BUCKLE	SUS301
10. SCREW	COOPER ALLOY
11. SCREW	IRON