

PZ SERIES ANTI-VANDAL SWITCH

ANTI-VANDAL SWITCHES
DETECTOR SWITCHES
DIP SWITCHES
KEYLOCK SWITCHES
NAVIGATION SWITCHES
PUSHBUTTON SWITCHES
ROCKER SWITCHES
ROTARY SWITCHES
SLIDE SWITCHES
SNAP ACTION SWITCHES
TACTILE SWITCHES
TOGGLE SWITCHES
CAP OPTIONS



APPLICATIONS / MARKETS



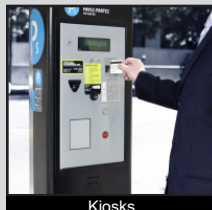
Audio / Visual



Security Devices



Industrial Controls



Kiosks



Electrical Housewares



Medical Equipment

SPECIFICATIONS

Contact Rating: 1A @ 5-24VDC
Electrical Life: 50,000,000 Cycles
Contact Resistance: 1Ω Max.
Operating Temperature: -20°C to 65°C
Storage Temperature: -25°C to 65°C
Panel Thickness: 10mm Max.
Moisture Protection: IP68 (in house tested)

FEATURES & BENEFITS

- 19mm and 22mm panel cutouts
- Ring illumination options
- RGB color options
- Bezel options
- IP68 (in house tested)

PART NUMBER CONFIGURATOR

Series	Size Options	Function	Housing	Bezel	Illumination Style	LED-Color Options	Wire Length
<input type="text" value="PZ"/>	<input type="text" value="4 - 19mm
7 - 22mm"/>	<input type="text" value="M - Momentary/
Pulse"/>	<input type="text" value="1 - Black Anodized
(Double Flat)
2 - Clear Anodized
(Double Flat)"/>	<input type="text" value="C - Concave
F - Flat"/>	<input type="text" value="N - Non-Illuminated
R - Ring Illuminated"/>	<input type="text" value="N - Non-Illuminated
R - RGB"/>	<input type="text" value="W150 - 150mm
(with 1x6 Conn)
W300 - 300mm
(with 1x6 Conn)"/>

Specifications subject to change without notice 1.19.2022



E-SWITCH®

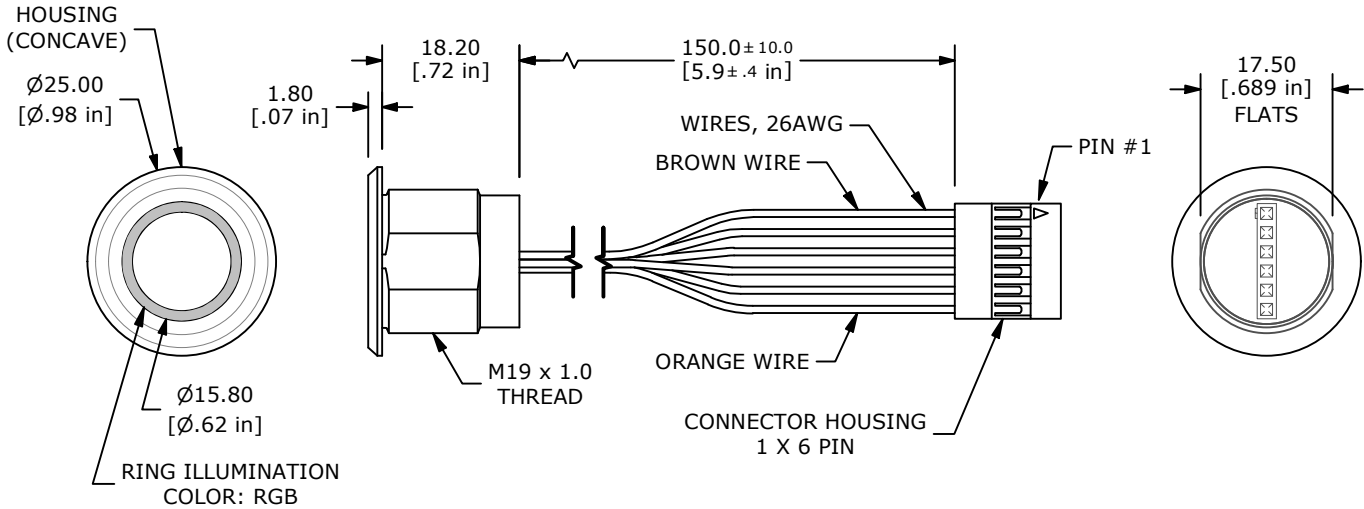
www.e-switch.com

800.867.2717

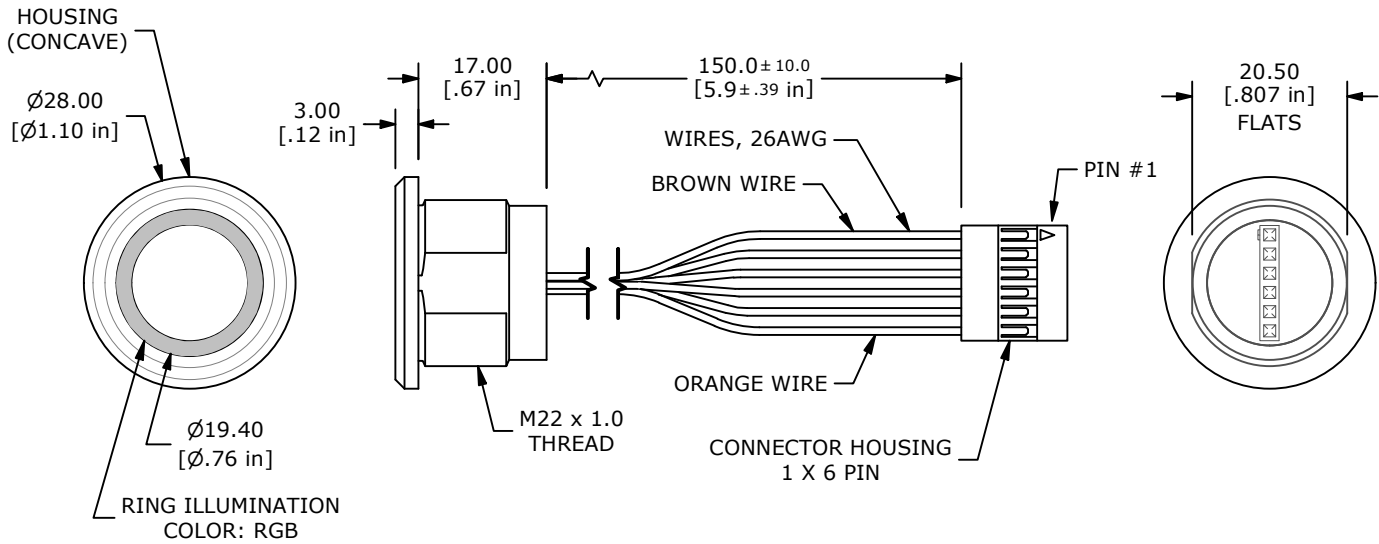
1

PZ SERIES ANTI-VANDAL SWITCH

BODY DIMENSIONS 19MM OPTION CONCAVE BEZEL



BODY DIMENSIONS 22MM OPTION CONCAVE BEZEL



ANTI-VANDAL
SWITCHES

DETECTOR
SWITCHES

DIP
SWITCHES

KEYLOCK
SWITCHES

NAVIGATION
SWITCHES

PUSHBUTTON
SWITCHES

ROCKER
SWITCHES

ROTARY
SWITCHES

SLIDE
SWITCHES

SNAP ACTION
SWITCHES

TACTILE
SWITCHES

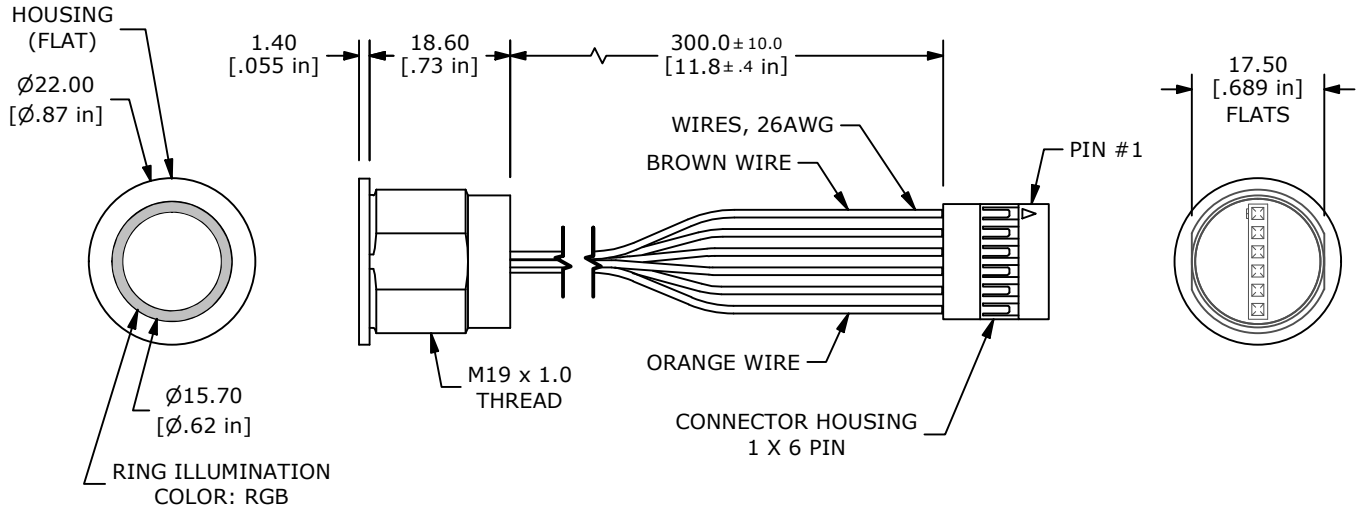
TOGGLE
SWITCHES

CAP
OPTIONS

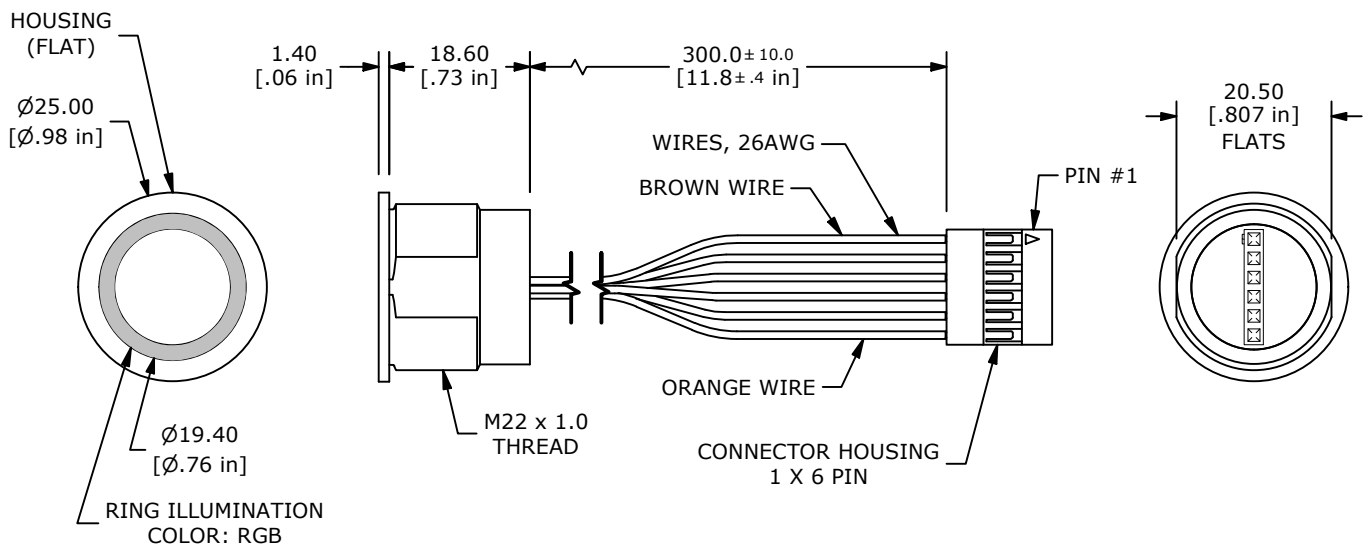


PZ SERIES ANTI-VANDAL SWITCH

BODY DIMENSIONS 19MM OPTION FLAT BEZEL

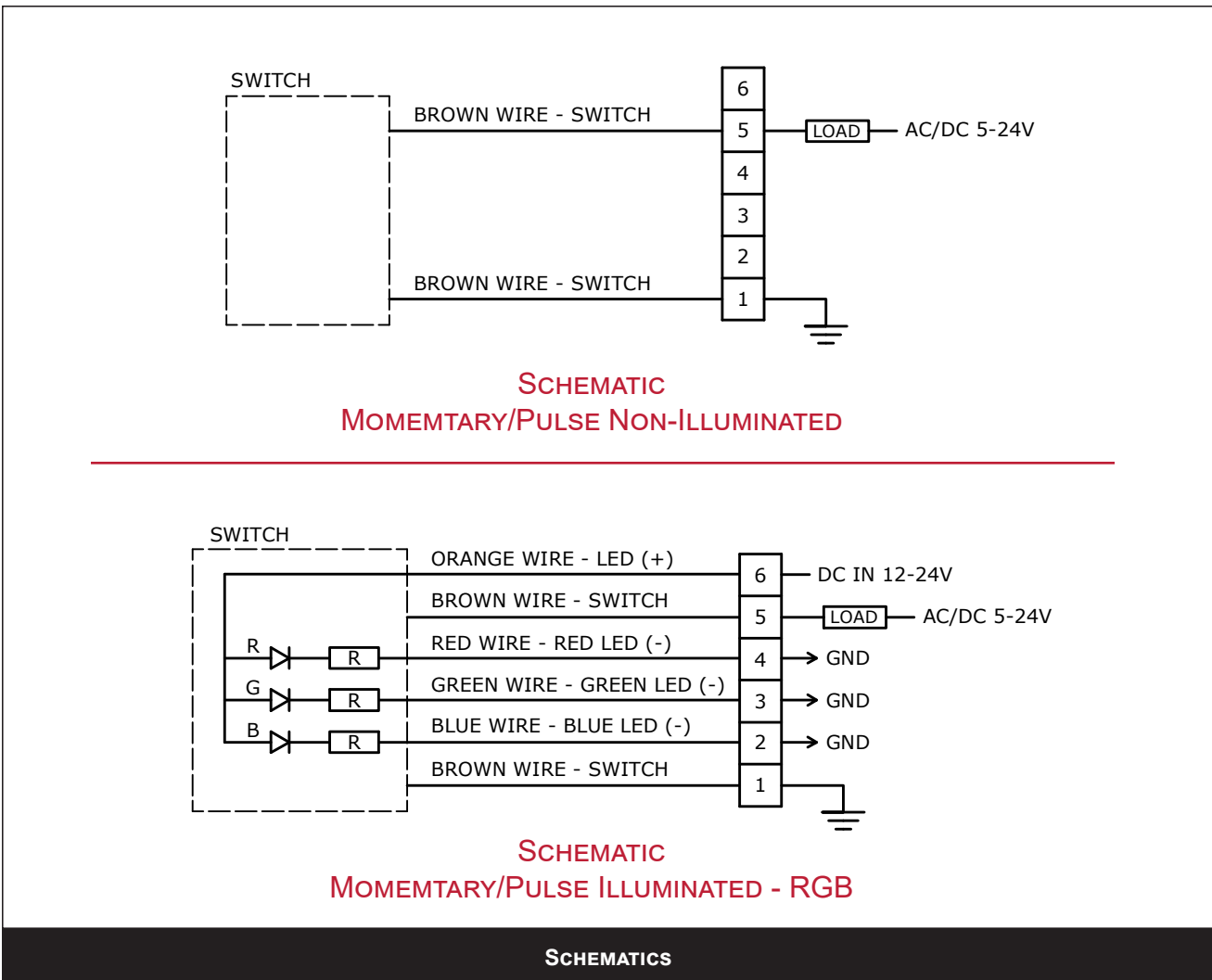
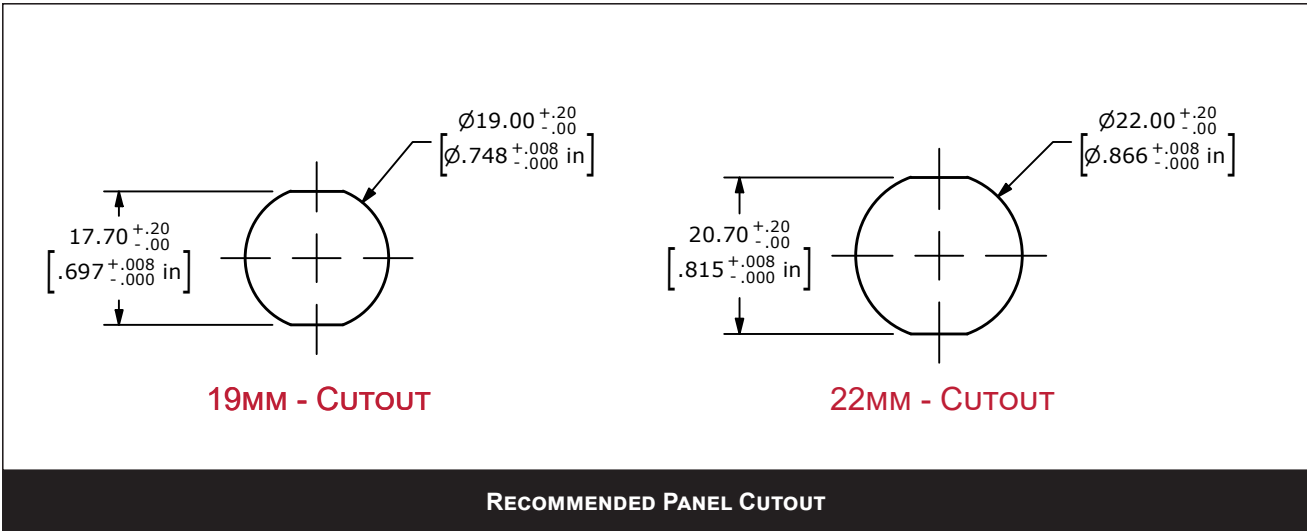


BODY DIMENSIONS 22MM OPTION FLAT BEZEL



PZ SERIES ANTI-VANDAL SWITCH

PANEL CUTOUT & SCHEMATIC



ANTI-VANDAL SWITCHES
DETECTOR SWITCHES
DIP SWITCHES
KEYLOCK SWITCHES
NAVIGATION SWITCHES
PUSHBUTTON SWITCHES
ROCKER SWITCHES
ROTARY SWITCHES
SLIDE SWITCHES
SNAP ACTION SWITCHES
TACTILE SWITCHES
TOGGLE SWITCHES
CAP OPTIONS

