



产品规格书 Product specification for approval			
客户 Customer	Philips	规格书版本 Version No.	A
产品名称/型号 Description	移动电源/PYL11 Power bank /PYL11	样品数量 Sample quantity	
客户型号 Customer Model No.		日期 Date	2017.06.29

制定 (PREPARED BY) 蔡永顺 日期 DATE 2017.6.29

审核 (CHECKED BY) 熊思远 日期 DATE _____

批准 (APPROVED BY) 蔡建宜 日期 DATE _____

地址: 广东省广州市番禺区沙湾镇市良路西村路段 922号

Address: No.922 Xicun Section Shiliang Rd.,Shawan Town, Panyu Guangdong Province
P.R.China.

确认后签名, 并返回一份。

Please return to us copy of "Specification for approval" with your approved.

	"√"	Customer's signature	Note
Full approved			
Conditional approved			



Rejected			
----------	--	--	--

项目 ITEM	页 PAGE
1.适用范围 SCOPE	3
2.参数 PARAMETER	3
3.产品功能 FUNCTIONS	5
4.环境要求 ENVIRONMENTAL REQUIREMENT	6
5. 机械指标 MECHANICAL SPECIFICATION	7
6.安全 SAFETY	8
7. 操作指南 OPERATING INSTRUCTION	9
8. 警告 WARNING	10

目录 CATALOG



1. 适用范围 SCOPE

本规格书适用于广州市鹏辉能源科技股份有限公司生产的移动电源PYL11。

The document defines the parameter and performance of the Power bank PYL11 produced by Great Power Battery.

2. 参数 PARAMETER

2.1 产品配置 product configure

序号 No.	项目 ITEM	描述 DESCRIPTION
1	电池 Battery	电池类型: 18650 圆柱型锂电 Type: Polymer Lithium battery 电池型号 Model : 18650 2500mAh-3.7V 电池容量 Capacity: 2600mah 电池容量可选 The optional battery capacity
2	外壳 Housing	外壳材料: ABS+铝合金 Housing material: ABS+Aluminium alloy
3	充电输入接口 Charge port	5Pin Micro USB-A
4	直流输出接口 DC output port	4Pin USB-A



2.2 输入输出参数 Input and output characteristics

序号	项目 ITEM	描述 DESCRIPTION
1	充电电压 Charge voltage	4.70-5.5Vd.c.
2	充电电流 Charge current	0.5-1.1A
3	输出电压 Output voltage	4.75-5.35Vd.c.
4	输出电流 Output current	0.05-1A±10%
5	输出纹波 Output ripple	<120mv
6	过充电压 Over charge voltage	4.275±0.02V
7	过放保护 Over discharge voltage	3.0±0.035V
8	过载保护 Over current protection	1.2-1.8A
9	充电时间 Charge time	3-7hours
10	平均效率 Average efficiency	正常电池电压下，最大负载时， 平均效率高于 78 % The average efficiency is higher than 78% while measuring at normal battery voltage and maximum load.
11	静态电流 Quiescent current	Less than 250uA



3. 产品功能 Function

3.1 产品用途 Applications

本产品可为其它用电器提供 5V/1A 电能。可支持 IPHONE、SAMSUNG、HTC、诺基亚、华为、中兴等手机，MP3、MP4，ipad 等数码产品，以及市面常见的 GPS，PSP 等大多数 5V 供电便携设备。

The product can provide the 5V/1A power to the other electrical appliance. It is suitable for the majority mobile phone like IPHONE、SAMSUNG、HTC、NOKIA、HUAWEI、ZTE etc. , digital product like MP3、MP4, ipad etc. , as well as majority mobile equipment powered by 5V power supply like GPS, PSP and so on.

3.2 保护功能 PROTECTION .

3.2.1 短路保护 Short circuit protection

当输出短路时，自动关闭输出

The output will be shut down automatically when output short circuit happens.

3.2.2 过载保护 Over load protection

当输出电流超出额定值时，自动关闭输出。

The output will be shut down automatically when output current larger than rated value.

3.2.3 欠压保护 Under voltage protection



当电池电压低于设定值时，自动关闭输出。

The output will be shut down automatically when battery voltage lower than set value.



4. 环境要求 ENVIROMENTAL REQUIREMENT

本产品应满足下列环境条件

The product shall be compliant with the following environmental conditions.

4.1 工作条件 OPERATING CONDITION

环境温度 Ambient temperature: 0°C to 35°C

相对湿度 Relative humidity: 20% to 90%

4.2 存储条件 STORAGE CONDITION

环境温度 Ambient temperature: -20°C to 70°C

相对湿度 Relative humidity: 20% to 90%

4.3 冷却方法 COOLING METHOD

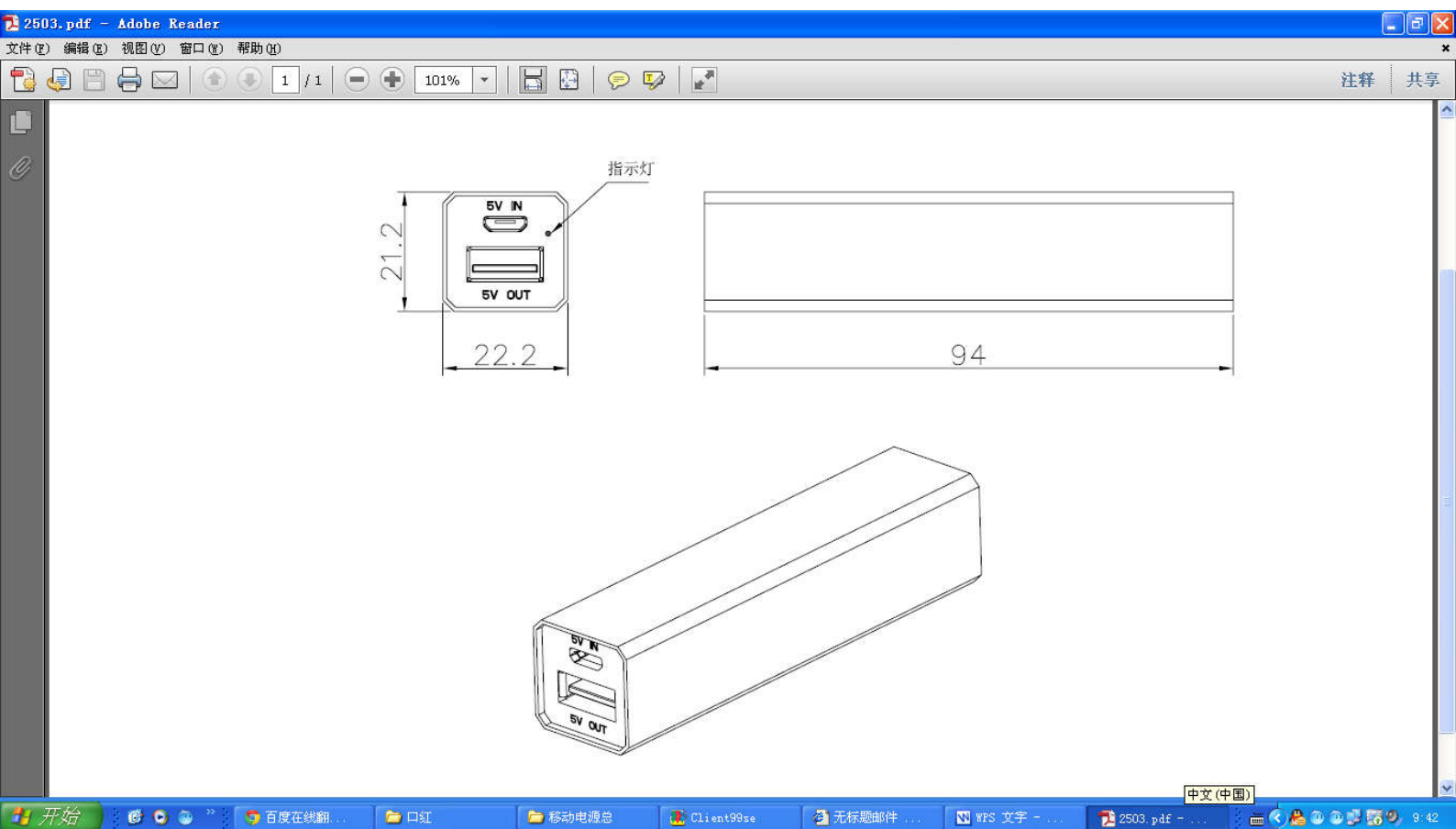
自然冷却 Free convection



5. 机械指标 MECHANICAL SPECIFICATION

5.1 外形尺寸 PHYSICAL DIMENSIONS

Physical dimensions: 94*22.2*21.2mm



5.2 净重量 WEIGHT

The weight of the product is 145g



6. 安全 SAFETY

6.1 安规 SAFETY STANDARD

本产品适于室内使用，符合下列安规。

The product is designed for indoor use and compliant with following
Safety regulation.



7. 操作指南 OPERATING INSTRUCTION

7.1 放电 Discharge

7.1.1 接上负载，自动启动输出。

Under load, start automatically output.

7.1.2 LED指示灯显示定义如下：

LED indicator is defined as follows :

7.1.2.1 充电时红色 LED 闪烁，充满电后红色 LED 长亮

When charging the flashing red LED, full of electricity long bright red LED;

7.1.2.2 放电时蓝色 LED 亮，当电池电压低于 3.1V 时，蓝色 LED 闪烁，

当电池电压低于 3.0V 时，电源关断输出，蓝色 LED 灯灭。

When the discharge of LED bright blue, when the battery voltage is lower than 3.1V, blue LED flashes when the battery voltage is low

In 3.0V, a power off output, blue LED lamp.

7.1.3 无负载或负载移除，输出延时 32S 后自动关闭，同时关闭 LED 显示。

No load or load removal, automatically turns off the output delay of 16S, while the closure of LED display

7.1.4 充电时，自动关闭直流输出。

The output will be shut down automatically under charging status.



8. 警告 **Warning**

1. 禁止拆卸

Do not disassemble the product.

2. 禁止丢入火中

Do not dispose of the product in fire.

3. 室内使用，禁止放于雨水或非常潮湿的环境中。

For indoor use only. Do not expose the charger to rain or excessive moisture.

4. 请正确处置电池。电池在高温下有可能爆炸，因此禁止将电池丢于火中。某些国家对处置电池有法规，请遵守相关法规。

Properly dispose of the battery. Exposure to high temperatures can cause the battery to explode, so do not dispose of in a fire.

Some countries have regulations concerning battery disposal.

Please follow all applicable regulations.



广州鹏辉能源科技股份有限公司

Guangzhou Great Power Energy & Technology Co. Ltd.

产品规格书 **product specification**

型号 (**Model No.**) PYL11

12 of 12
