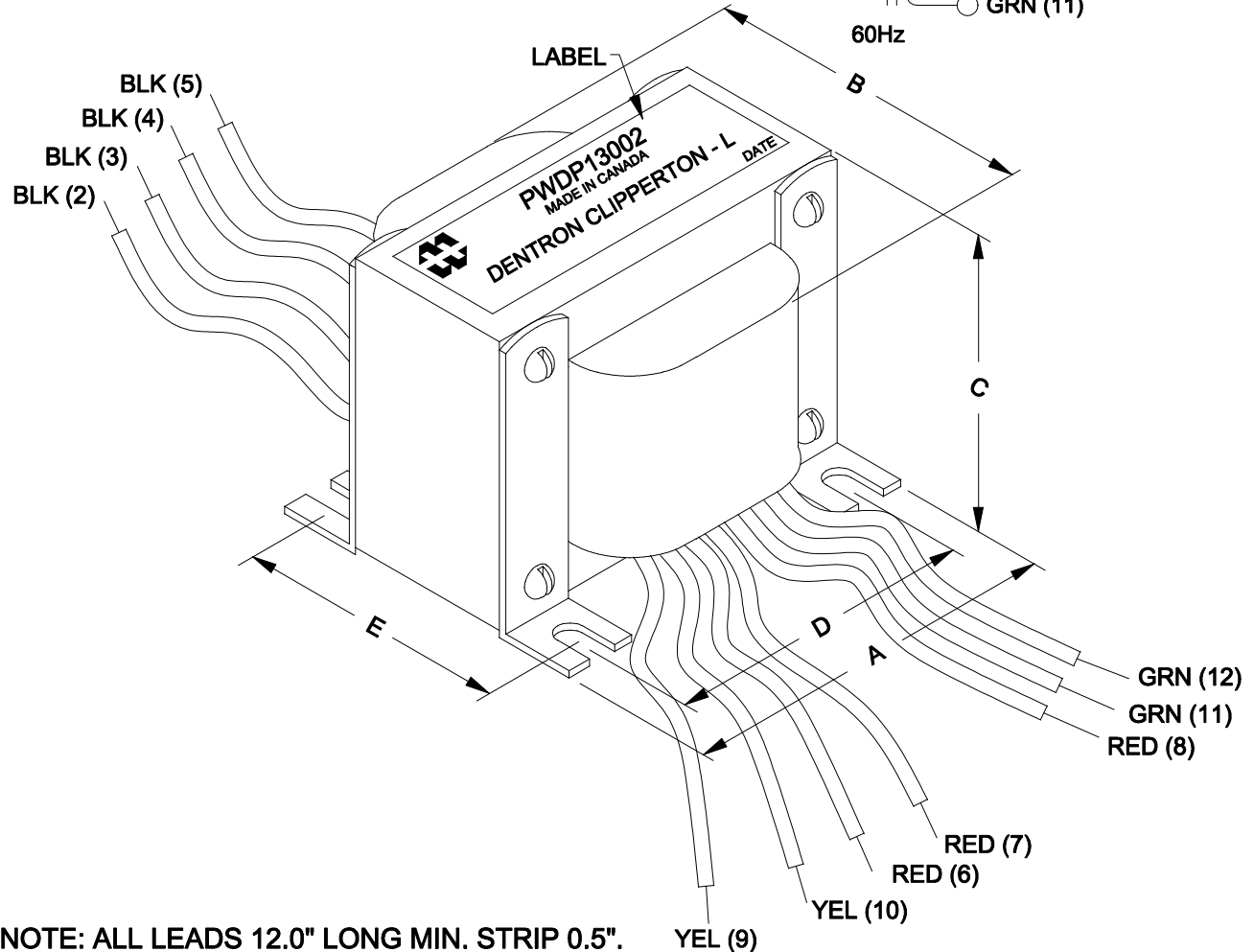
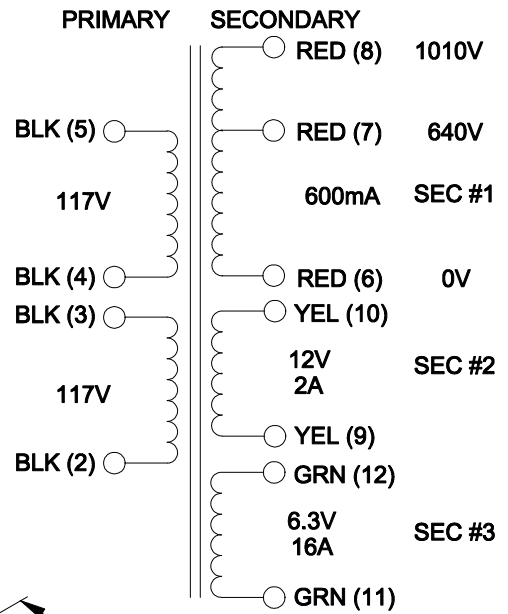


DIMENSIONS:	
A	5.750" ±0.063
B	6.650" MAX.
C	4.250" ±0.063
D	4.938" ±0.063
E	4.625" ±0.063
G	0.203" x 0.400" ±0.015



NOTE: ALL LEADS 12.0" LONG MIN. STRIP 0.5".

HAMMOND MANUFACTURING
ELECTRONIC DIVISION
52 RANKIN PLACE,
WATERLOO, ONTARIO, N2J 3Z5
PH # (519) 886-6181
FAX # (519) 886-9540

TITLE				PWDP13002	
NO	DATE	REVISION		DWG. BY	
0	06/22/15	RELEASED.	C.I.	CORINA ILIE	
				DATE	06/22/15
				DIM IN(∅)MM()	

EDBPWDP13002