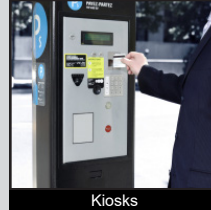
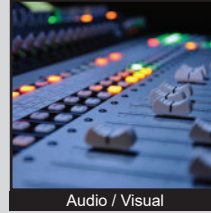


# PV0 SERIES ANTI-VANDAL SWITCH

ANTI-VANDAL SWITCHES  
DETECTOR SWITCHES  
DIP SWITCHES  
KEYLOCK SWITCHES  
NAVIGATION SWITCHES  
PUSHBUTTON SWITCHES  
ROCKER SWITCHES  
ROTARY SWITCHES  
SLIDE SWITCHES  
SNAP ACTION SWITCHES  
TACTILE SWITCHES  
TOGGLE SWITCHES  
CAP OPTIONS



## APPLICATIONS / MARKETS



## SPECIFICATIONS

**Electrical Rating:** 2A, 36VDC  
**Mechanical Life:** 1,000,000 Cycles  
**Electrical Life:** 50,000 Cycles  
**Contact Resistance:** 50mΩ Max.  
**Insulation Resistance:** 1000 MΩ Min.  
**Dielectric Strength:** 2,000VAC  
**Operating/Storage Temperature:** -25°C to 55°C  
**Travel:** 1.50mm  
**Moisture Protection:** IP67  
**Contact Arrangement:** SPST Off-(On)  
**Actuation Force:** 4 N  
**Panel Thickness:** 1-6mm  
**Mounting Nut Torque:** 5-14Nm

## FEATURES & BENEFITS

- 12mm panel cutout
- Ring or dot illumination options
- Multiple LED color options including RGB
- IP67 rated

## PART NUMBER CONFIGURATOR

| Series                           | Actuator Options                      | Terminal Options                        | Function Options                             | Rating Options                             | Body Finish Options   | Actuator Finish Options   | Contact Material Options                   | Lens Style Options   | LED-Color Options  | Illumination Voltage Options  |
|----------------------------------|---------------------------------------|---|--|--|---|---|--|--|--|---|
| <input type="text" value="PV0"/> | <input type="text" value="H - High"/> | <input type="text" value="2 - Solder"/> | <input type="text" value="4 - Off - (On)*"/> | <input type="text" value="0 - 2A, 36VDC"/> | <input type="text" value="S - Stainless Steel"/><br><input type="text" value="1 - Black Anodized"/> | <input type="text" value="S - Stainless Steel"/><br><input type="text" value="1 - Black Anodized"/> | <input type="text" value="NONE - Silver"/> | <input type="text" value="NONE - Non-Illuminated"/><br><input type="text" value="2 - Dot Illumination"/><br><input type="text" value="3 - Ring Illumination"/> | <input type="text" value="NONE - Non-Illuminated"/><br><input type="text" value="0 - White"/><br><input type="text" value="1 - Red"/><br><input type="text" value="2 - Orange"/><br><input type="text" value="3 - Green"/><br><input type="text" value="4 - Blue"/><br><input type="text" value="5 - Yellow"/><br><input type="text" value="R - RGB"/> | <input type="text" value="NONE - Non-Illuminated"/><br><input type="text" value="1 - Base Voltage†"/> |

### NOTES:

\* (ON) Denotes function is momentary

† Base voltage on LEDs:

1.8V @ 20mA for Red, Yellow and Orange LED colors

2.8V @ 20mA for Blue, Green and White LED colors

Specifications subject to change without notice 2.1.23



**E-SWITCH®**

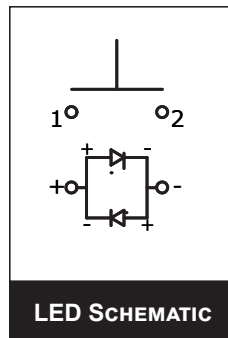
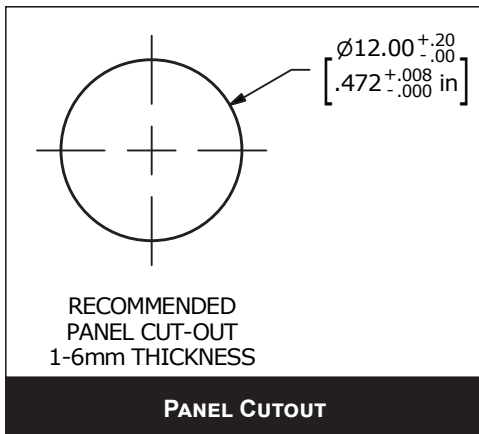
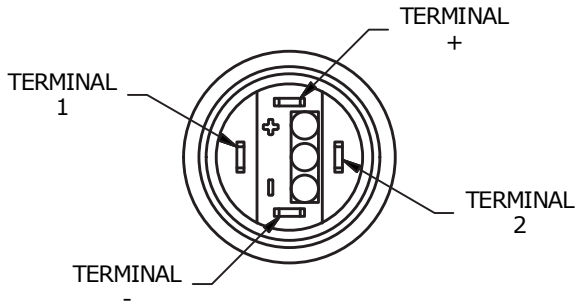
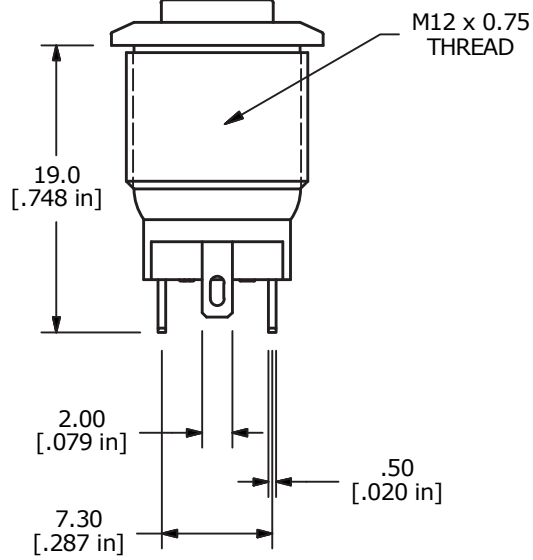
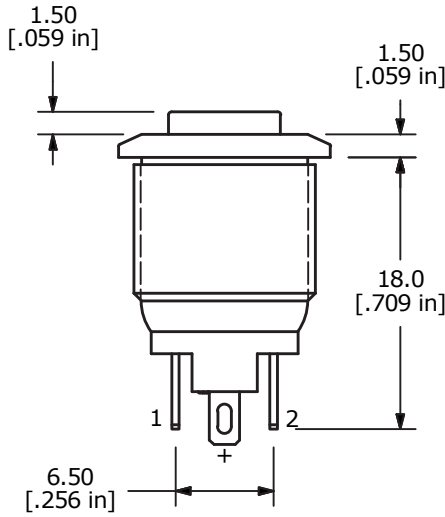
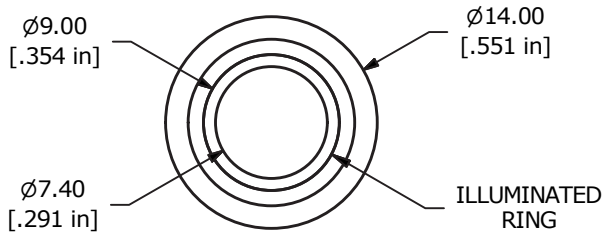
www.e-switch.com

800.867.2717

1

# PV0 SERIES ANTI-VANDAL SWITCH

## RING ILLUMINATION

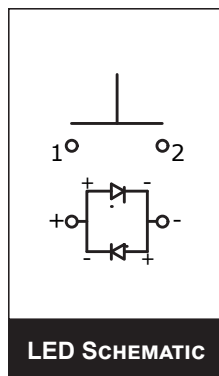
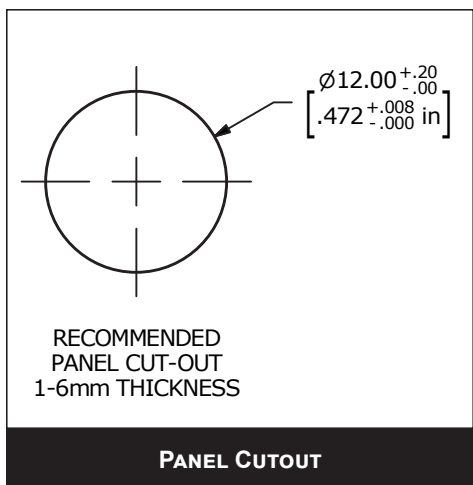
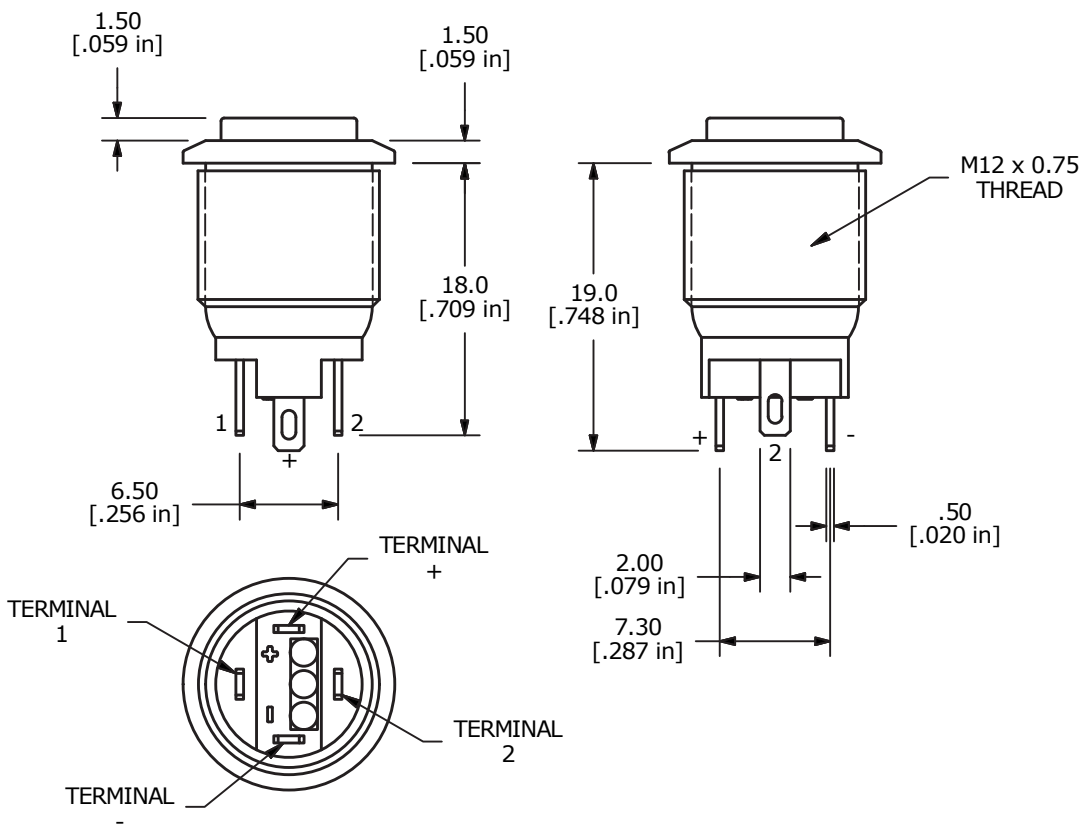
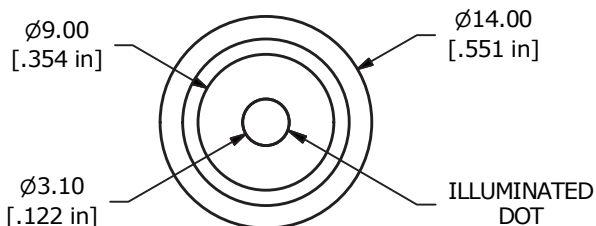


ANTI-VANDAL SWITCHES  
 DETECTOR SWITCHES  
 DIP SWITCHES  
 KEYLOCK SWITCHES  
 NAVIGATION SWITCHES  
 PUSHBUTTON SWITCHES  
 ROCKER SWITCHES  
 ROTARY SWITCHES  
 SLIDE SWITCHES  
 SNAP ACTION SWITCHES  
 TACTILE SWITCHES  
 TOGGLE SWITCHES  
 CAP OPTIONS



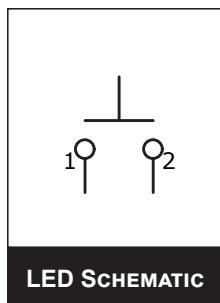
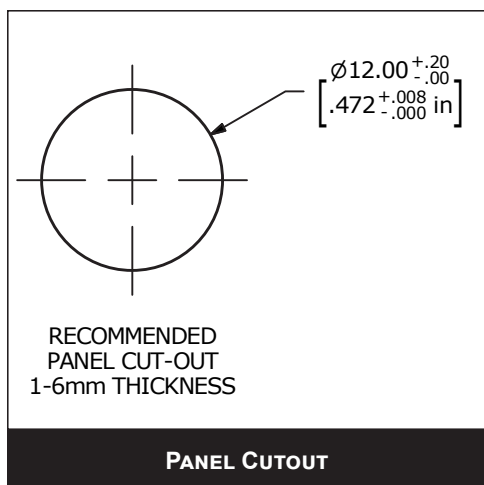
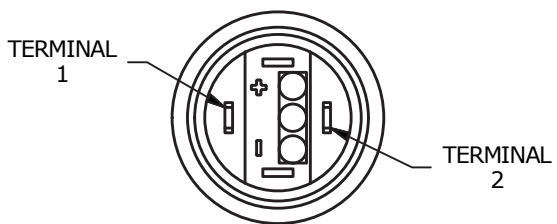
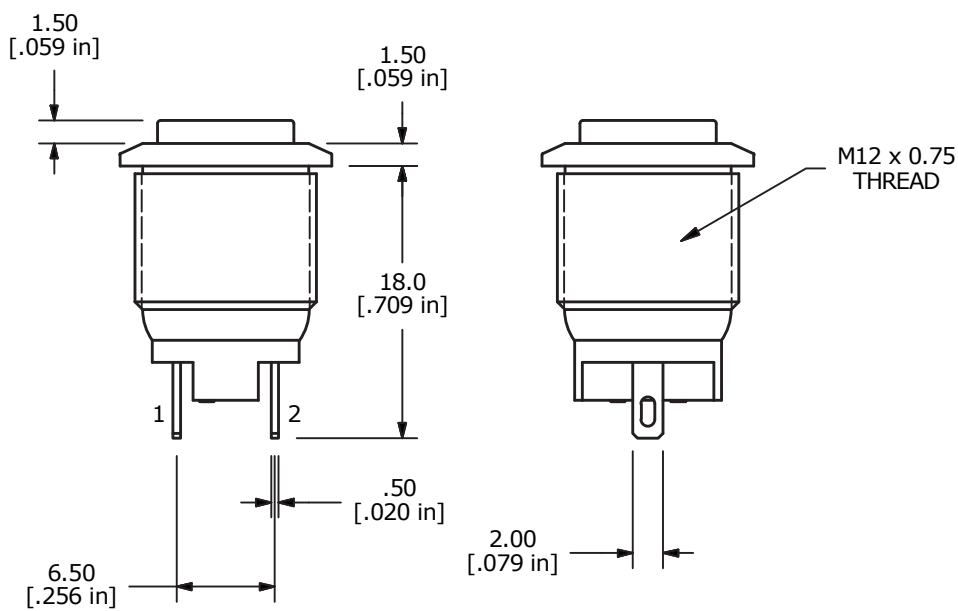
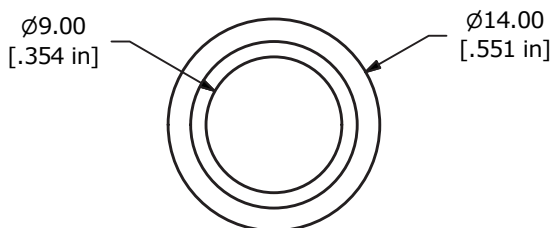
# PV0 SERIES ANTI-VANDAL SWITCH

## DOT ILLUMINATION



# PV0 SERIES ANTI-VANDAL SWITCH

## NON-ILLUMINATED



- ANTI-VANDAL SWITCHES
- DETECTOR SWITCHES
- DIP SWITCHES
- KEYLOCK SWITCHES
- NAVIGATION SWITCHES
- PUSHBUTTON SWITCHES
- ROCKER SWITCHES
- ROTARY SWITCHES
- SLIDE SWITCHES
- SNAP ACTION SWITCHES
- TACTILE SWITCHES
- TOGGLE SWITCHES
- CAP OPTIONS

# PV0 SERIES ANTI-VANDAL SWITCH

## RGB ILLUMINATION

