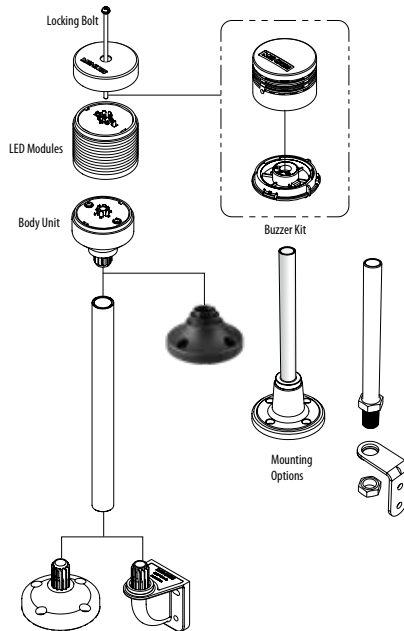


PTM/PTD Series

Ø56mm Multicolored LED Modular Light
Steady & Flashing lights with buzzer



- Multicolored LED modular components
- Lead wire or terminal connection
- Pole mounting or direct mounting
- Optional Buzzer at 80 or 100dB (fixed or adjustable volume)



Ordering Information

PTM - A F - 1 02 - RYG - B
① ② ③ ④ ⑤ ⑥

① Head Style	PTM	Standard
	PTD	Dome Head
② Body Unit Mounting / Connection	A	Pole Mounting/ Lead Wires
	SC	Direct Mounting / Lead Wires
	T	Pole Mounting/ Terminal Connection
	TC	Direct Mounting/ Terminal Connection
③ Light Style		Steady Light
	F	Steady & Flashing Light
④ Number of Stacks	1	1 stack
⑤ Power Supply	02	24V AC/DC
	FF	90~240V AC
⑥ Lens Colors (3 colors in 1 module)	RYG	Red, Yellow, Green
	RBG	Red, Blue, Green

Optional parts

Body Units

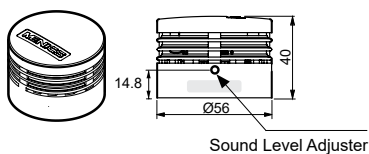
Body Type		Voltage	Part Number	
			Steady	Steady & Flashing
Lead Wire Connection	Pole Mounting	90~240V AC	PTE-A-FF-B	PTE-AF-FF-B
		24V AC/DC	PTE-A-02-B	PTE-AF-02-B
	Direct Mounting	90~240V AC	PTE-SC-FF-B	PTE-SCF-FF-B
		24V AC/DC	PTE-SC-02-B	PTE-SCF-02-B
Terminal Connection	Pole Mounting	90~240V AC	PTE-T-FF-B	PTE-TF-FF-B
		24V AC/DC	PTE-T-02-B	PTE-TF-02-B
	Direct Mounting	90~240V AC	PTE-TC-FF-B	PTE-TCF-FF-B
		24V AC/DC	PTE-TC-02-B	PTE-TCF-02-B

LED Modules

LED Color		Part Number	
		Standard Module	Dome Head Module
3 colors in 1	R/Y/G	PTM-02-RYG	PTD-02-RYG
	R/B/G	PTM-02-RBG	PTD-02-RBG

Locking Bolts

Part Number		Size
PTM	B-PTE-1	M4, 65mm
PTD	B-PTD-1	M4, 83mm



Buzzer Kits (Optional)

Alarm Style	Part Number
Fixed Sound Level	MPZ-56F-B
Adjustable up to 80±5 dB	MPZ-56G-B
Adjustable up to 100±5 dB	MPZ-56H-B

See page 21-23
for mounting options and accessories

Specifications

Body Units

Operation/Function	Steady/ Flashing
Power Supply	24V AC/DC, 90~240V AC 50/60 Hz
Alarm Sound Level	Fixed: 80±5dB Adjustable: 10~80±5dB, 10~100±5dB
Lens Color	3 colors in 1 module: Red/Yellow/Green, Red/Blue/Green
Lens Diameter	56 mm (2.2 inch)
Maximum Tier	1
Flash Rate	80 ± 5 times/min
Vibration	0.75mm @10~55Hz: xyz/60min
Ambient Temperature	-15°C~40°C
Storage Temperature	-20°C ~ 70°C
Ambient Humidity	45~85% RH
Degree of Protection	IP65 / IP40 (with Buzzer)
Approvals	CE , UL, RoHS
Recommended Wire Size	1007 UL / 22 AWG

LED Modules

LED Color		Current consumption	
		24V	90~240V
3 colors in 1	RYG	35mA	16mA
	RGB		
Weight		Approx. 43g	

Buzzer Kits

Model	MPZ-56F-B	MPZ-56G-B	MPZ-56H-B
Style	Fixed Sound	Adjustable Sound	Adjustable Sound
Sound Level	85 dB	10~85 dB at 1M	10~100 dB at 1M
Current Consumption / Power	30mA / 0.72W	30mA / 0.72W	150mA / 3.6W
Weight	33g	33g	33g

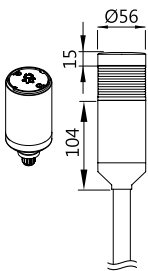
Dimensions

unit: mm

Lead Wire Connection

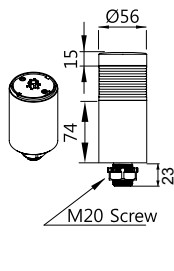
Pole Mounting

PTE-A-□□
PTE-AF-□□



Surface Mounting

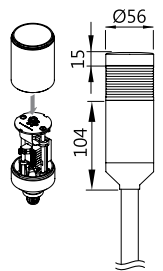
PTE-SC-□□
PTE-SCF-□□



Terminal Connection

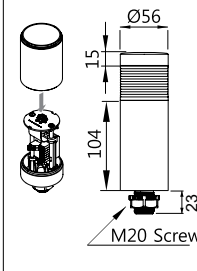
Pole Mounting

PTE-T-□□
PTE-TF-□□

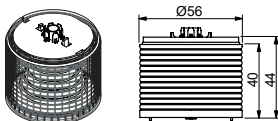


Surface Mounting

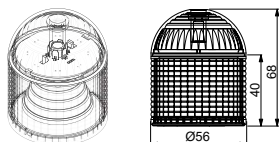
PTE-TC-□□
PTE-TCF-□□



Standard Modules



Dome Head Modules

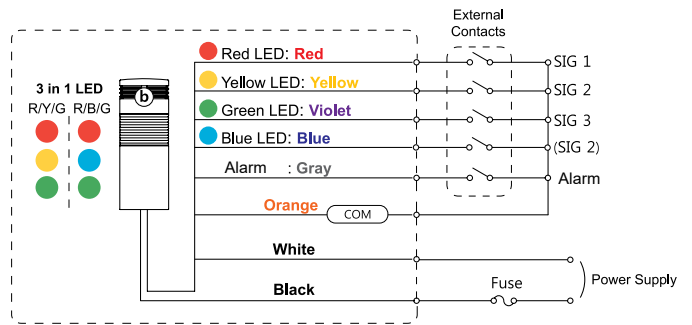


Wiring Diagram

90-240V AC

Steady Lights

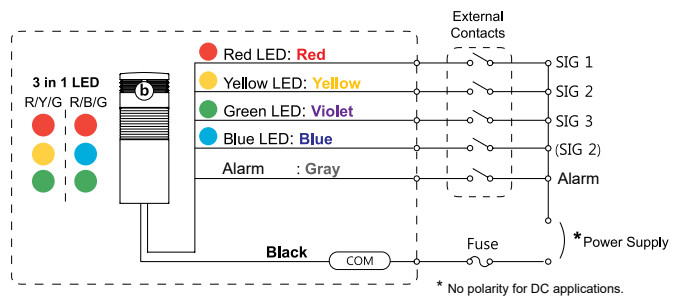
PTE-A-FF PTE-SC-FF



24V DC/AC

Steady Lights

PTE-A-02 PTE-SC-02

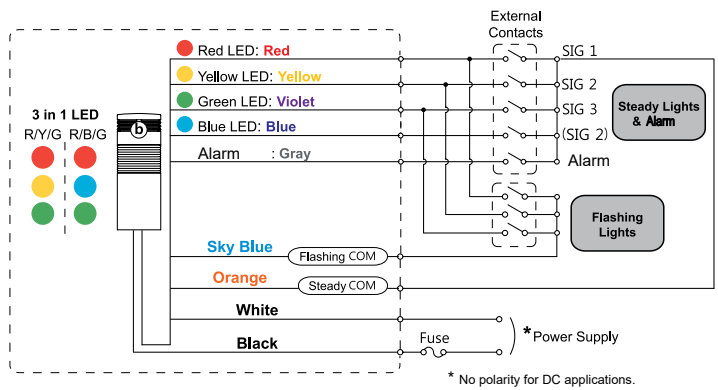


90-240V AC

24V DC/AC

Steady & Flashing Lights

PTE-AF-02 PTE-AF-FF PTE-SCF-02
PTE-SCF-FF PTE-T□-02 PTE-T□-FF



Terminal Connections

PIN #	Description
R	Red LED
Y	Yellow LED
G	Green LED
B	Blue LED
Z	Alarm
COM	Steady COM
F	Flashing COM
A	Power Supply
B	No Polarity for DC Applications.

