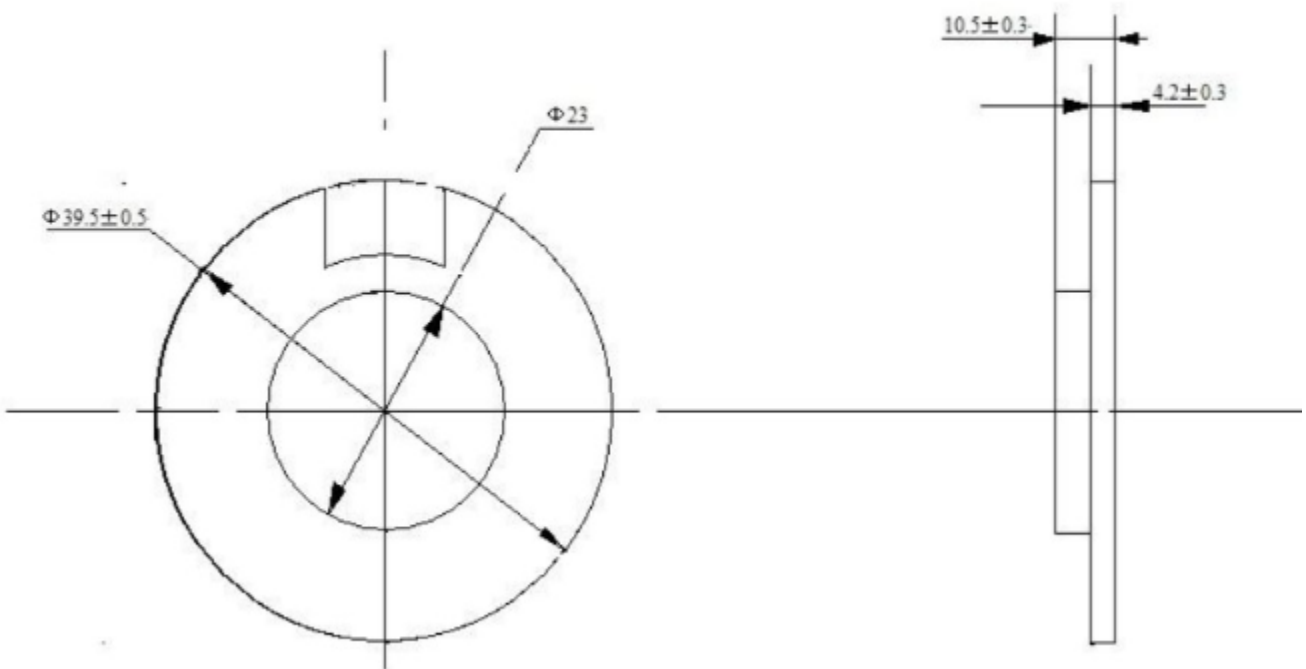


Sales Outline DrawingRevision **B****May not be suitable for all medical and aerospace applications.****Specifications: Contact Mallory Sonalert to discuss your application.**

| | |
|-----------------------------------|---|
| Voice Coil Impedance (Ω) | $8 \pm 15\%$ at 2000 Hz / 1.0 V |
| Rated Input (W) | 0.25 |
| Max. Input (W) | 0.50 |
| Lowest Resonance Freq F_0 (Hz) | $1000 \pm 20\%$ |
| Frequency Range (Hz) | $F_0 \sim 450$ |
| Output S.P.L. (dB) | 82 ± 3 at 0.25W 0.1m1k,1.2k,1.5k,2.0kHz 68 ± 3 at 1W 1M 1k, 1.2k, 1.5, 2.0 kHz |
| Operation / Storage Temp | -25 to 50°C / -25 to 55°C |
| Weight (g) | 12.0 |
| Housing Color | Green |
| Options | For other options contact factory |

Dimensions: (units: mm)**ROHS Compliant****Tolerance: $\pm 0.5\text{mm}$**