



10W USB Interchangeable Plug Adapter



Features

- USB Socket
- Field Changeable AC Plugs – sold separately
- US DoE Level VI Efficiency Compliance
- Ecodesign/ErP Lot 7 (EU) 2019/1782 Compliance
- EU COC V5 Tier 2 Compliance
- AS/NZS 4665.1-2005+A1:2009, AS/NZS 4665.2-2005+A1:2009 Compliance
- Voltage Drop Compensation
- The charging scheme: Data Lines (Pins 2 and 3) Shorted

Applications

- Personal Electronics
- Portable Equipment
- Peripherals
- Networking

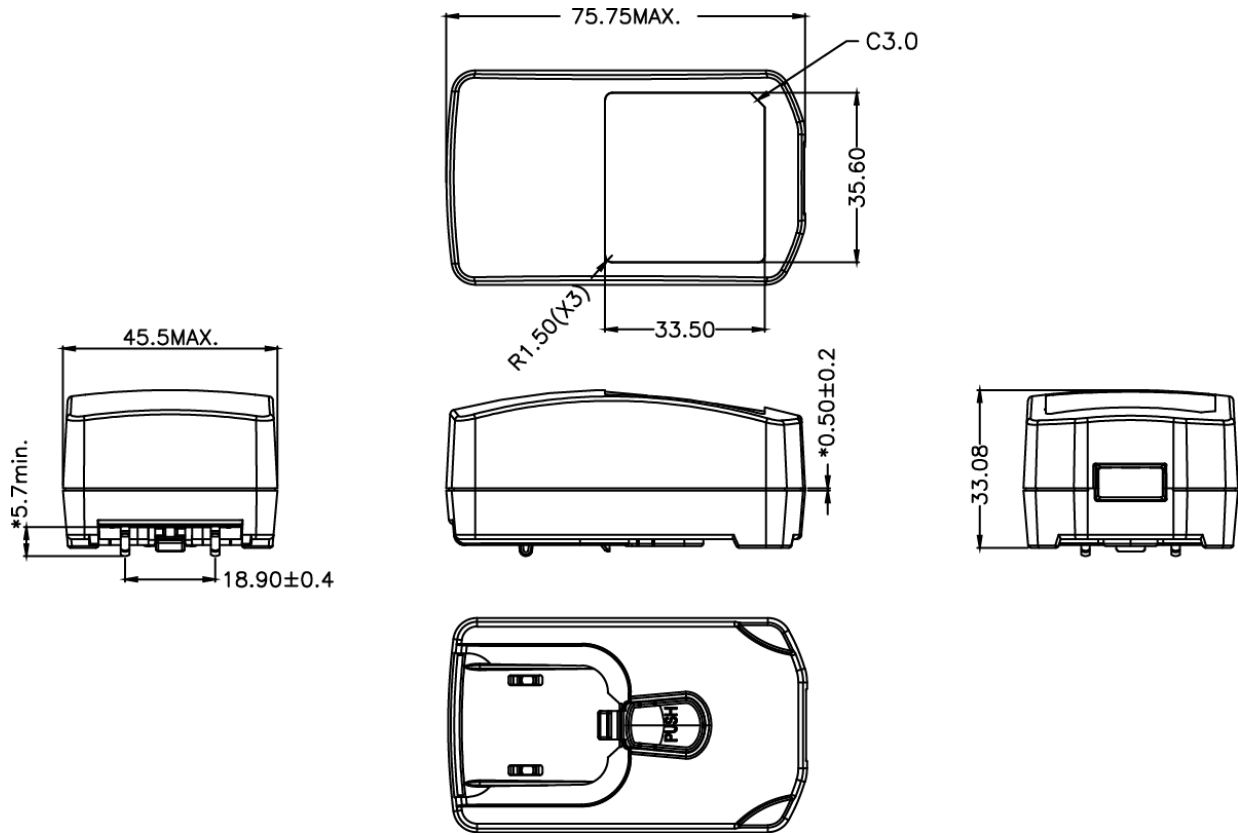


PSAF10R-050QA-R Specifications¹

| Model | | PSAF10R-050QA-R |
|--------------------------|---|--|
| Output | DC Output Voltage | 5.0V |
| | Max Current | 2.0A |
| | Output Power | 10.0W |
| | Regulation | ± 5% |
| | Ripple & Noise P-P(max) ² | 150mV |
| Input | AC Input Voltage Range | 90 to 264VAC |
| | AC Input Frequency | 47 to 63Hz |
| | Input Current | 0.28A (RMS) max for 115Vac/60Hz 0.16A (RMS) max for 230Vac/50Hz |
| | Inrush Current | 60A max. @230VAC/50Hz |
| | No Load Power Consumption at 115VAC Input | 0.030W |
| | No Load Power Consumption at 230VAC Input | 0.036W |
| | 115VAC Average Efficiency ³ | 79.5% |
| | 230VAC Average Efficiency ³ | 79.4% |
| | 230VAC 10% Load Efficiency ³ | 74.4% |
| | Leakage Current | 20uA max @254VAC/50Hz |
| Protection | Over-Voltage | 8.0V max |
| | Short Circuit | Auto recovery and no component damage |
| | Over-Current | 3.0A max |
| Environmental | Operating Temperature | 0°C to +40°C |
| | Non-Operating Temperature | -20° to +70°C |
| | Operating Humidity | 90% RH max |
| Safety Approvals and EMC | Dielectric Withstand (HI-POT) | Primary to Secondary: 3000VAC for 1min, 10mA |
| | Insulation Resistance | Primary to Secondary: 10M ohm for 500VDC, 1min |
| | Standards | cULus 62368-1, IEC 62368-1, AS/NZS 62368.1:2018, EAC, BIS, PSB, KC, PSE, BSMI, CCC |
| | EMI Emissions | FCC Part 15 Class B, CAN ICES-003(B)/NMB-003(B), EN 55032/CISPR 32, KCC Class B Conducted and Radiated |
| | Harmonic Current Emissions | IEC 61000-3-2 |
| | Voltage Fluctuations & Flicker | IEC 61000-3-3 |
| | Immunity | EN 55035/CISPR 35: IEC 61000-4-2 (+/- 15kV air, +/-8kV contact), IEC 61000-4-3, IEC 61000-4-4, IEC 61000-4-5 (+/- 2kV), IEC 61000-4-6, IEC 61000-4-8, IEC 61000-4-11 |
| Mechanical | Dimensions (L x W x H) | 75.75mm (2.98in) x 45.5mm (1.79in) x 33.08mm (1.30in) |
| | Weight | 52g |
| | DC Output Connector | USB Type A |
| Notes | <ol style="list-style-type: none"> The specifications defined are at ambient temperature of 25°C, unless otherwise specified. 20MHz bandwidth frequency oscilloscope, add a 0.1µF multilayer Cap. and Low ESR Electrolytic Cap. (10µF) at output connector terminals (nominal line voltage, full load). Efficiency is measured after 30 minutes burn-in. | |



PSAF10R-050QA-R Outline Drawing



Supplier's Declaration of Conformity
47 CFR § 2.1077 Compliance Information

Phihong USA Corporation
47800 Fremont Boulevard
Fremont, CA 94538
Telephone: (510) 445-0100
www.phihong.com

NOTE: This model has/The models in this product series have been tested and found to comply with the limits for a Class B digital device, pursuant to part 15 of the FCC Rules. These limits are designed to provide reasonable protection against harmful interference in a residential installation. This equipment generates, uses and can radiate radio frequency energy and, if not installed and used in accordance with the instructions, may cause harmful interference to radio communications. However, there is no guarantee that interference will not occur in a particular installation. If this equipment does cause harmful interference to radio or television reception, which can be determined by turning the equipment off and on, the user is encouraged to try to correct the interference by one or more of the following measures:


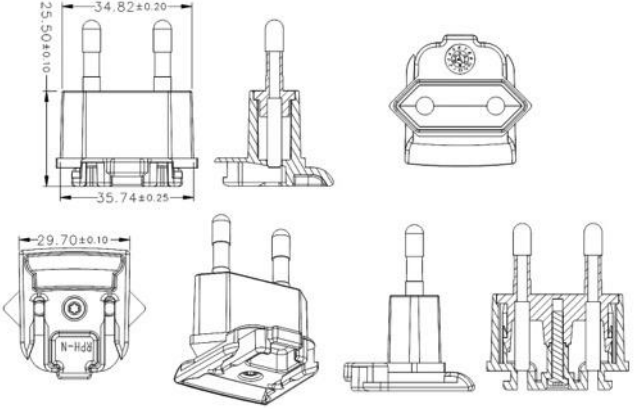

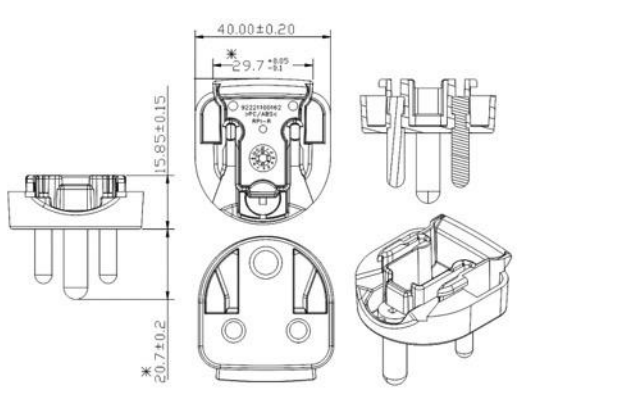

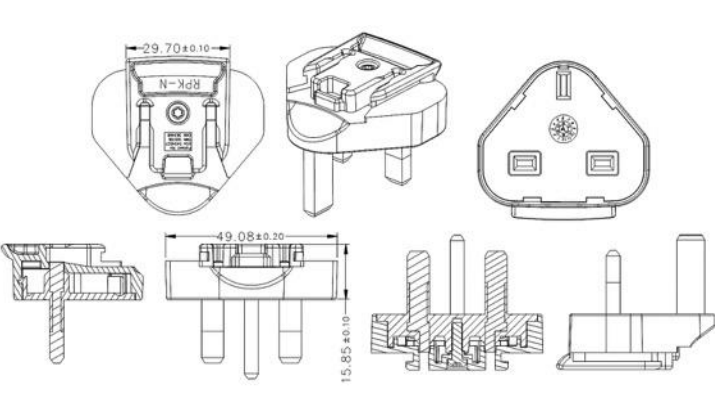

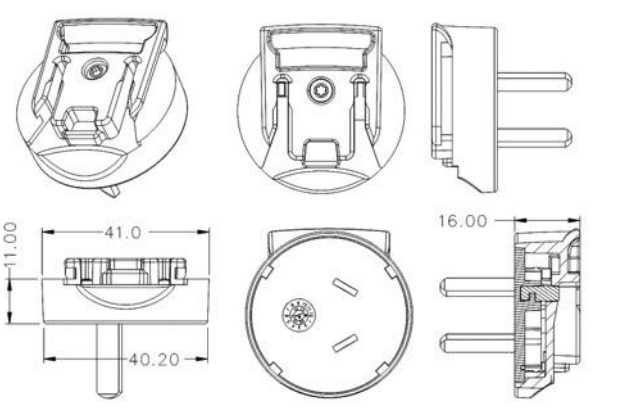
- Reorient or relocate the receiving antenna.
- Increase the separation between the equipment and receiver.
- Connect the equipment into an outlet on a circuit different from that to which the receiver is connected.
- Consult the dealer or an experienced radio/TV technician for help.


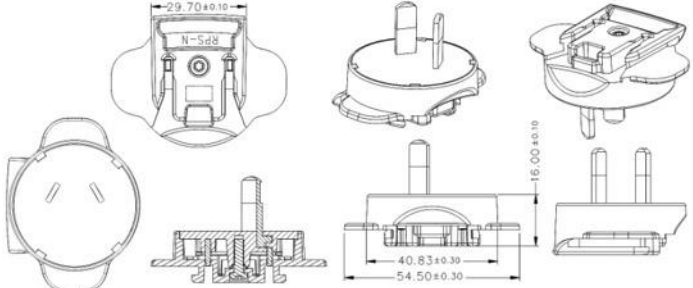

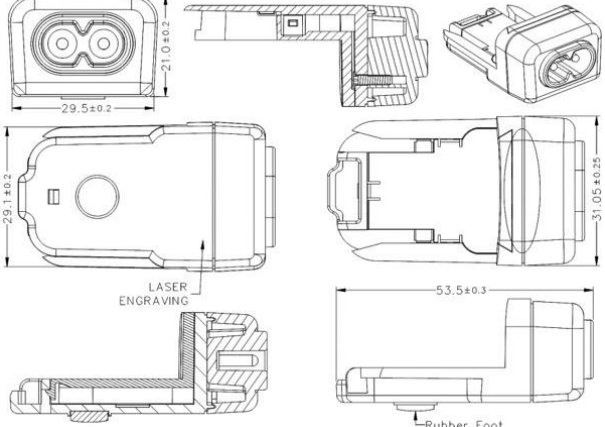

Changes or modifications to equipment not expressly approved by PHIHONG could void the user's authority to operate the equipment.



AC Input Clips – Sold Separately

| Model | Photo | Description | Outline Drawing - mm |
|-------------|-------|-------------|----------------------|
| RPA-AB01B-H | | US Clip | |
| RPB-AB01B-H | | Brazil Clip | |
| RPC-AB01B-H | | China Clip | |
| RPE-AB01B-H | | Europe Clip | |

| Model | Photo | Description | Outline Drawing - mm |
|-------------|---|----------------|--|
| RPH-AB01B-H |  | Korea Clip |  |
| RPI-AB01B-H |  | India Clip |  |
| RPK-AB01B-H |  | UK Clip |  |
| RPN-AB01B-H |  | Argentina Clip |  |

| Model | Photo | Description | Outline Drawing - mm |
|---------------|--|----------------|--|
| RPS-AB01B-H |  | Australia Clip |  |
| RPX-03-R |  | C8 Clip |  |
| RPBAG-AB01B-H | <p data-bbox="480 1010 1528 1035">Product package comes with RPA-AB01B-H, RPE-AB01B-H, RPK-AB01B-H and RPS-AB01B- in a plastic bag.</p>  | | |



USB Cables – Sold Separately

Unit: mm

| | |
|------------------------|---|
| Part no: IP-USB1(C10)S | Desc: USB-A to Micro-B – 1 Meter – Black |
| | |
| Part no: IPUSB1CS | Desc: USB to Mini-B – 1.5 Meter – Black |
| | |
| Part no: IPUSB1MS | Desc: USB-A to Micro-B – 1.5 Meter – Black |
| | |
| Part no: IPUSB1M5LD | Desc: USB-A to Micro-B – 24AWG – Low Drop – 1.5 Meter – Black |
| | |
| Part no: IPUSB1P5 | Desc: USB-A to Micro-B – 1 Meter – 24AWG – Black |
| | |
| Part no: IPUSB1P5W | Desc: USB-A to Micro-B – 1 Meter – 24AWG – White |
| | |

| | |
|-----------------------|--|
| Part no: IPUSB1MSW | Desc: USB-A to Micro-B – 1.5 Meter – White |
| | |
| Part no: UES-1001A160 | Desc: Low Drop Type-C USB Cable – 1 Meter – 23AWG on Power – 30AWG on Data - Black |
| | |
| Part no: UES-1003A160 | Desc: Low Drop Type-C USB Cable - 1 Meter – 23AWG on Power – 30AWG on Data - White |
| | |