

## SUMMARY

### # Wires

Triax 1



*Image is for illustrative purpose only*

Series 3T  
Termination type Female solder  
IP rating 66 mated (mating interface)  
AWG wire size 0.00 - 0.00  
Cable Ø 0.00 - 0.00 mm  
Status Active  
Matching parts [FFA.3T.675.CTAY92](#)

### Download

[Request a quote](#)

[Catalog](#)

## TECHNICAL DETAILS

### Mechanics

Shell Style/Model PSA\*: Fixed socket with cable clamping, nut fixing  
Keying Circular, female  
Housing Material Brass (chrome plated [SAE AMS 2460]) shell and collet nut, nickel plated [SAE AMS QQ N 290] brass latch sleeve and mid pieces  
Weight 98.18 g

### Performance

Configuration 3T.675 : 1 Triax (75 Ohm)  
Insulator T: PTFE  
Rated Current 8 Amps

### Specifications

Contact Type: Triaxial 75 Ohm (Solder)  
Vtest: 1200 V (AC), 1690 V (DC)  
Impedance: 75 Ohm

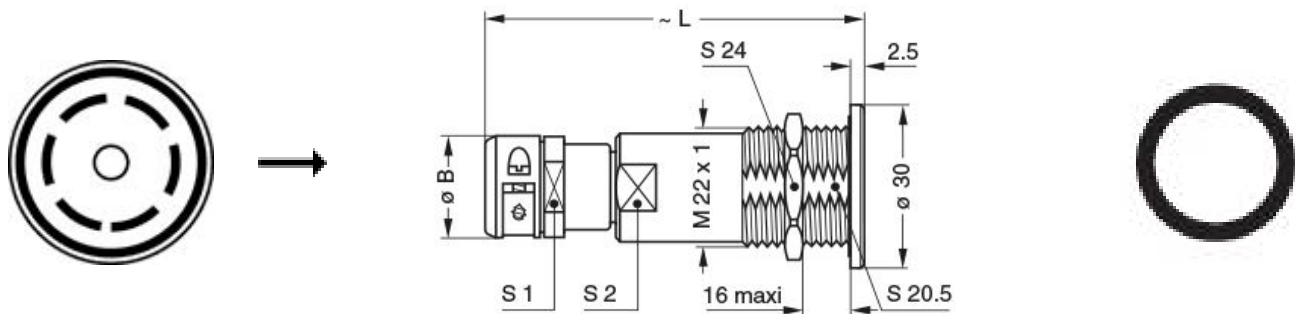
### Others

Endurance (Shell): >1000 mating cycles  
Temp (min / max): -55°C / +200°C

*LEMO products and services are provided "as is". LEMO makes no warranties or representations with regard to LEMO product & services or use of them, express, implied or statutory, including for accuracy, completeness, or security. The user is fully responsible for his products and applications using LEMO components.*

Humidity (max): <=95% [at 60 deg C /140 F]  
 Resistance to vibration: 15 g [10 Hz - 2000 Hz]  
 Shock Resistance: 100 g [ 6 ms]  
 Climatical Category: 50/175/21  
 Shielding efficiency (min): 95 dB (at 10 MHz)  
 Shielding efficiency (min): 80 dB (at 1 GHz)  
 Salt Spray Corrosion: >1000 hr

## DRAWINGS



### Dimensions

	B	L	S1	S2
mm.	20	81	18	16
in.	0,79	3,19	0,71	0,63

## RECOMMENDED BY LEMO

### Tools

LEMO products and services are provided "as is". LEMO makes no warranties or representations with regard to LEMO product & services or use of them, express, implied or statutory, including for accuracy, completeness, or security. The user is fully responsible for his products and applications using LEMO components.