

## SUMMARY

### # Wires

Coax 1



*Image is for illustrative purpose only*

Series 0S  
Termination type Female solder Coaxial  
IP rating 50  
AWG wire size 0.00 - 0.00  
Cable Ø 2.30 - 3.20 mm  
Status Active  
Matching parts [FFA.0S.250.CTAC32](#)

### Download

[Request a quote](#)

[Catalog](#)

## TECHNICAL DETAILS

### Mechanics

Shell Style/Model PSA\*: Fixed receptacle, nut fixing, cable collet  
Keying Circular, female  
Housing Material Brass (chrome plated [SAE AMS 2460]) shell and collet nut, nickel plated [SAE AMS QQ N 290] brass latch sleeve and mid pieces  
Weight 8.05 g

### Performance

Configuration 0S.250 : 1 Coax (50 Ohm)  
Insulator T: PTFE  
Rated Current 6 Amps

### Specifications

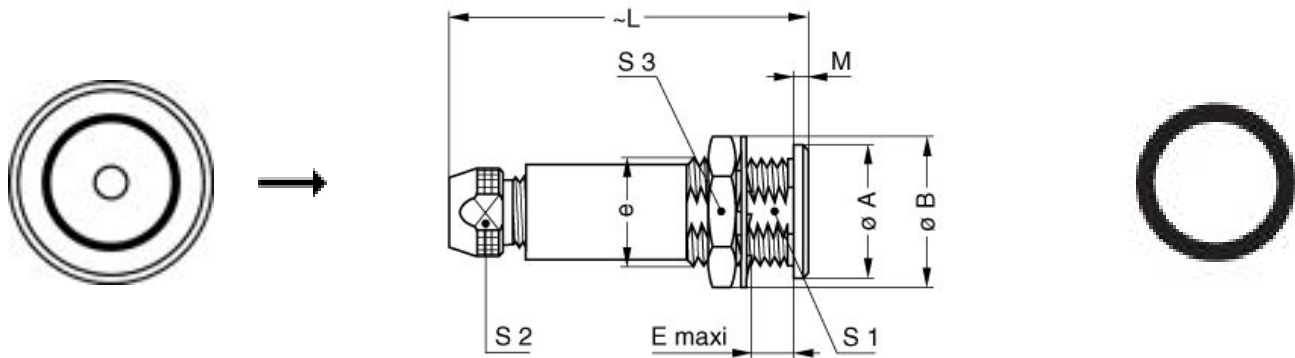
Contact Type: Coaxial 50 Ohm (Solder)  
Contact Dia.: 0.9 mm (0.035in)  
Bucket Dia.: 1 mm (0.039in)  
Vtest: 3000 V (AC), 4200 V (DC)  
Impedance: 50 Ohm  
VSWR: 1.02 + 0.25 \* f/GHz  
Cable type: RG 178 B/U, RG 196 A/U, RG 188 A/U, RG 316 B/U, RG 174 A/U, HF-2114, RG 122 /U

*LEMO products and services are provided "as is". LEMO makes no warranties or representations with regard to LEMO product & services or use of them, express, implied or statutory, including for accuracy, completeness, or security. The user is fully responsible for his products and applications using LEMO components.*

## Others

Endurance (Shell): 5000 mating cycles  
Temp (min / max): -55°C / +250°C  
Humidity (max): ≤95% [at 60 deg C / 140 F]  
Vibration: 15 g [10 Hz - 2000 Hz]  
Shock Resistance: 100 g [ 6 ms]  
Climatical Category: 50/175/21  
Shielding (min): 75 dB (10 MHz)  
Shielding (min): 40 dB (1 GHz)  
Salt Spray Corrosion: >144 hr

## DRAWINGS



## Dimensions

|     | A    | B    | C    | E    | L    | M    | S1   | S2   | S3   | e      |
|-----|------|------|------|------|------|------|------|------|------|--------|
| mm. | 10   | 12.5 | 4.2  | 7    | 33.5 | 1.2  | 8.2  | 6.5  | 11   | M9x0.6 |
| in. | 0,39 | 0,49 | 0,17 | 0,28 | 1,32 | 0,05 | 0,32 | 0,26 | 0,43 |        |






## RECOMMENDED BY LEMO

### Tools

Spanner wrench: [DCD.05.ZZZ.PA065](#)

*LEMO products and services are provided "as is". LEMO makes no warranties or representations with regard to LEMO product & services or use of them, express, implied or statutory, including for accuracy, completeness, or security. The user is fully responsible for his products and applications using LEMO components.*

## Cables

|                    |           |       |  |
|--------------------|-----------|-------|--|
| 17420              | PVC       | Black |    |
| 17450              | COPOLYMER | Black |    |
| 18700              | PTFE      | White |    |
| 18800              | PTFE      | White |  |
| 31600              | PTFE      | Brown |  |
| CCX.50.RG0.58AU14B | FEP       | White |  |
| CCX.50.RG1.74-U25N | PVC       | Black |  |
| CCX.50.RG1.74AU28N | PVC       | Black |  |
| CCX.50.RG1.74AU28N | PVC       | Black |    |
| CCX.50.RG1.74U25N  | PVC       | Black |  |
| CCX.50.RG1.88AU24B | TFE       | White |  |
| CCX.50.RG1.88AU26B | PFA       | White |  |
| CCX.50.RG1.88AU26B | PTFE      | White |  |
| CCX.50.RG3.16BU26M | FEP       | Brown |  |
| CCX.50.RG3.16U28M  | PTFE      | Brown |  |
| CCX.75.RG1.79BU26M | FEP       | Brown |  |
| CCX.75.RG1.87AU26B | PFA       | White |  |
| CCX.75.RG1.87AU27B | PTFE      | White |  |

LEMO products and services are provided "as is". LEMO makes no warranties or representations with regard to LEMO product & services or use of them, express, implied or statutory, including for accuracy, completeness, or security. The user is fully responsible for his products and applications using LEMO components.