

MADE
IN THE **USA**

Product Description:

- Protection System
- Holds disposable or reusable gowns, aprons, or coveralls/jumpsuits, three boxes of gloves, and one box of earloop style face masks
- Keyholes for wall mounting, or door hanger cut out for use with wall or door hanger
- Quartz Beige Powder-Coated Aluminum

Primary Area for Product Usage:

- Anywhere personal protection equipment is needed

Dispenses:

- Top: Box(es) no larger than 9.85"W x 5.13"H x 4.25"D (25.4 cm x 13.0 cm x 10.8 cm)
- Middle: Gowns, aprons, or coveralls/jumpsuits no larger than 11.58"W x 15.13"H x 4.25"D (29.4 cm x 38.4 cm x 10.8 cm)
- Bottom right: Box(es) no larger than 4.75"W x 8.00"H x 4.14"D (12.1 cm x 20.3 cm x 10.5 cm)

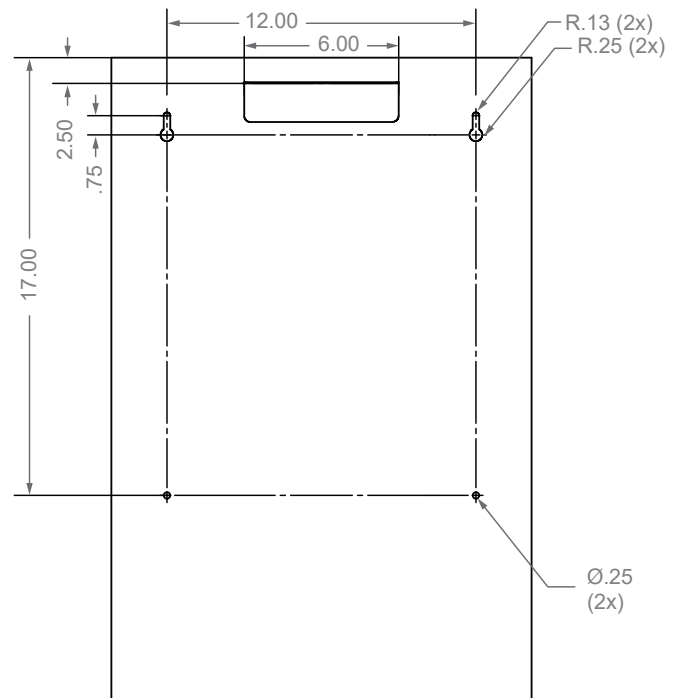
Package Specifications:

- Package Quantity: 1 per case
- 18"L x 6"W x 29"H (45.7 cm x 15.2 cm x 73.7 cm)
- 8.0 lbs (3.6 kg) - approximated

Product Specifications (overall external dimensions):

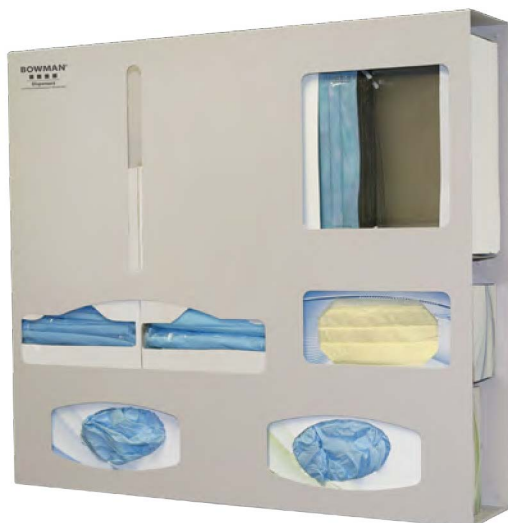
- 16.48"W x 25.18"H x 4.35"D (41.8 cm x 63.9 cm x 11.0 cm)
- 5.9 lbs (2.7 kg) - approximated

Mounting Specifications:



Related Products (each sold separately):

- PS022-0512: Protection System - Double Glove (shown below)

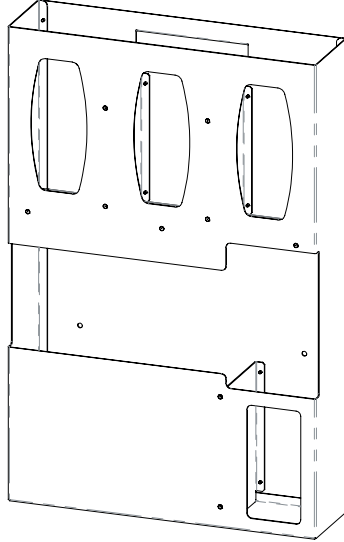




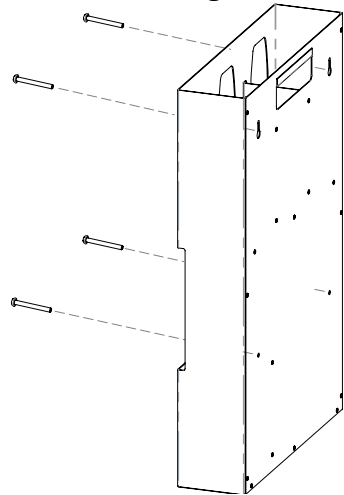
Installation

Always mount dispensers securely *prior* to loading with product.

- Exclusively top and front loading, this dispenser is particularly well-suited for areas where there is no space for side loading.



- Mount securely to a wall with screws approved and supplied by building maintenance.
- Dispenser can be mounted onto a BOWMAN® door or wall hanger through the cutout in the back. (Please see chosen hanger's datasheet for details.)



Parts included:

- Dispenser

Tools Required:

- No tools required to assemble dispenser

Care and Construction Powder-Coated Aluminum

Material Characteristics

Designed for Long-Term, Heavy-Duty Applications

Our powder-coated aluminum dispensers resist corrosion, chips and flaking. This material will provide long-lasting products that hold up well in tough environments.

Powder-coated aluminum is ideal for dispensers used in a healthcare or an industrial setting. It is impact resistant and is not effected by extremes in temperature.

Care and Cleaning

The semi-gloss powder-coated finish resists mild chemicals and cleaning agents, such as Windex or glass cleaners. It should be cleaned with a damp cloth or mild soap and water. Scotch-Brite, steel wool or any abrasive products should not be used.