

- 1
- 2
- 3
- 4
- 5
- 6
- 7
- 8
- 9
- 10
- 11
- 12
- 13
- 14
- 15
- 16
- 17
- 18

MATERIAL

AISI 304 stainless steel

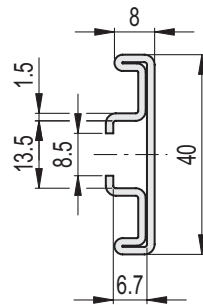
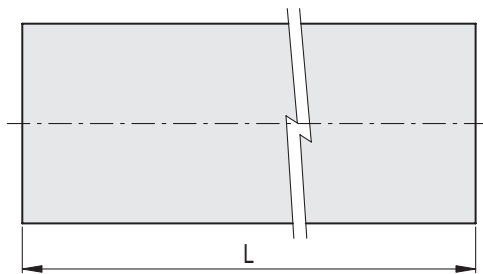
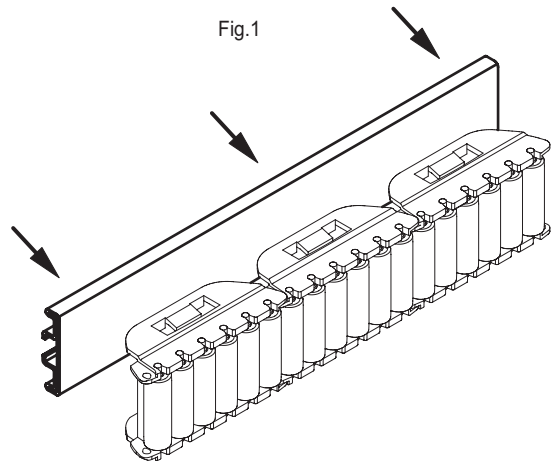
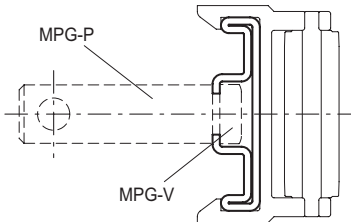
FEATURES AND APPLICATIONS

PRB-GLB profile is used for the assembly of GLB-1 and GLB-2 side guides (Fig.1).

Supplied in bars of 1500 or 3000 mm length.

ACCESSORIES ON REQUEST

- MPG-P: assembly pin.
- MPG-V: zinc-plated steel hammer head screw. (see GLA-1).



INOX STAINLESS STEEL METRIC

Code	Description	L	⚖️
419186	PRB-GLB-40-1500	1500	1820
419183	PRB-GLB-40-3000	3000	3640