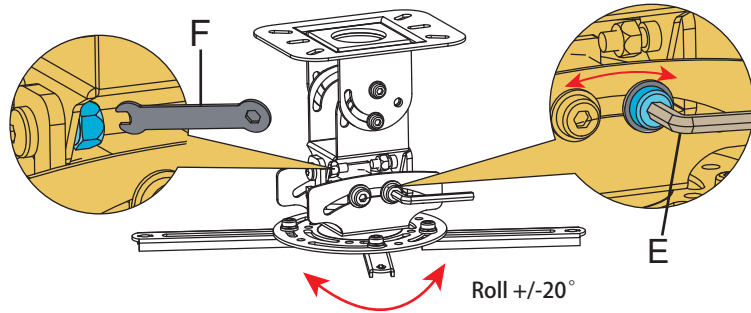


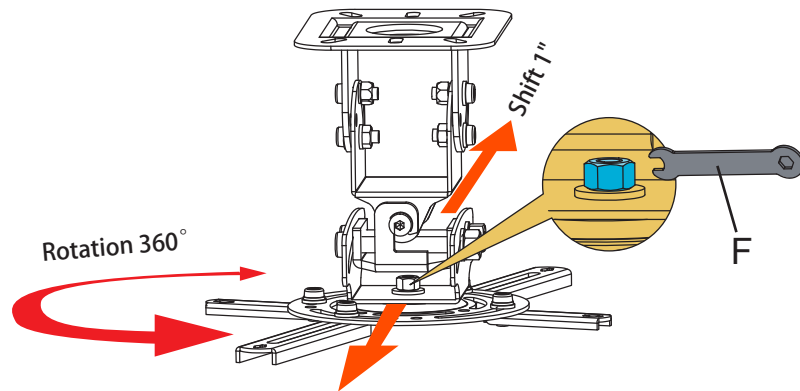
## 4 Adjusting the Projector (Part 2 of 2)

### Roll Adjustment



To make Roll adjustment, first ensure that weight of the projector is supported. Then loosen both M6x70mm bolts with the supplied Allen Key (E) and Wrench (F), and adjust to your desired position. Re-tighten both screws firmly.

### Rotation/Shift Adjustment



To make Rotation / Shift adjustment(s), first ensure that weight of the projector is supported. Then loosen the center M6x16mm screw slightly with the supplied Wrench (F), and adjust to your desired position. Re-tighten the screw firmly.

## Maintenance

Please check that the TV wall mount is secure and safe to use at regular intervals. If you have any questions regarding any of the instructions or warnings, please contact your local distributor (OR) contact QualGear technical support via email at [support@qualgear.com](mailto:support@qualgear.com).

+1 (972) 423-8960

[facebook.com/qualgear](https://www.facebook.com/qualgear)

[google.com/+qualgear](https://www.google.com/+qualgear)

[support@qualgear.com](mailto:support@qualgear.com)

[youtube.com/qualgear](https://www.youtube.com/qualgear)

[pinterest.com/qualgearusa](https://www.pinterest.com/qualgearusa)

[store.qualgear.com](http://store.qualgear.com)

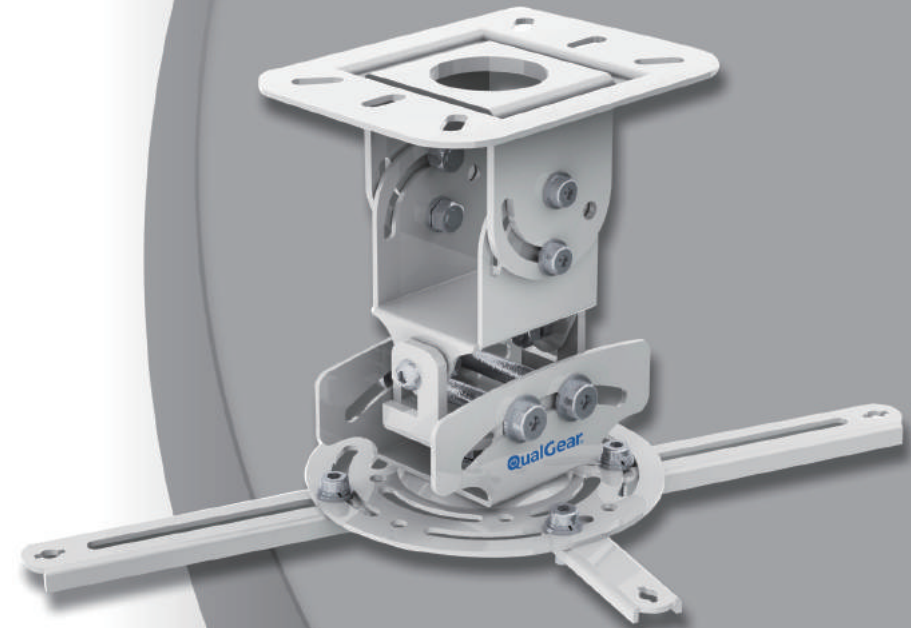
[twitter.com/qualgear](https://twitter.com/qualgear)



**QualGear**  
Accessories that Inspire.

**PRB-717-WHT**  
INSTALLATION MANUAL

## PROJECTOR CEILING MOUNT



Scan the QR Code™ below for more info about this product:



**13.6kg  
(30lbs)  
RATED**

### CAUTION!

Do not exceed the maximum rated weight specified. Otherwise, serious injury or property damage may occur.



■ 2 Year Limited Warranty

■ Version: September 2017

**NOTE**

Please read the entire installation manual. Check to ensure that all parts are included before you start installation and assembly.

**! WARNING**

• Do not begin to install your QualGear product until you have read and understood all the instructions and warnings contained in this installation manual.

US customers with questions regarding instructions, please contact QualGear customer support via email at support@qualgear.com. For all international customers, please contact your local distributor.

• This product should only be installed by someone of good mechanical aptitude, has experience with basic building construction, and fully understands these instructions.

• This product was designed to be installed and utilized only as specified in this manual. Improper installation of this product may cause damage or serious injury. QualGear is not liable for the improper use or installation of its products.

• Make sure that the supporting surface will safely support the combined load of the equipment and all attached hardware and components.

• Always use an assistant or mechanical lifting equipment to safely lift and position the equipment.

• Tighten screws firmly, but do not over tighten. Over tightening can damage the items, greatly reducing their holding power.

• All QualGear products are intended for indoor use only and any outdoor use voids the limited warranty.

• All QualGear products are designed and tested for residential use only and any commercial use voids the limited warranty. For warranty information, please visit <http://www.qualgear.com/warranty.php>.

• If mounting to wooden studs, make sure that mounting screws are anchored into the center of the studs. Use of an edge-to-edge stud finder is highly recommended.

• Never exceed the maximum rated weight specified in this manual.

• All bolts and screws must be used at the designated points in the installation instructions to prevent property damage and/or personal injury.

• DO NOT install near air conditioner vents or where there is excessive dust or smoke.

• When drilling holes in the wall, it is very important to take care of electrical cables, water, or gas pipes in the wall.

• This product was designed to be installed on the following wall construction only:

**WALL CONSTRUCTION**

- Wooden Stud
- Wooden Beam
- Solid Concrete
- Other

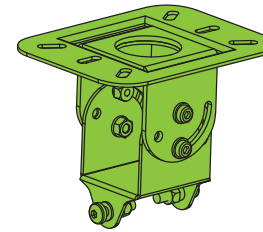
**HARDWARE REQUIRED**

- Included
- Included
- Included
- Contact Qualified Professional

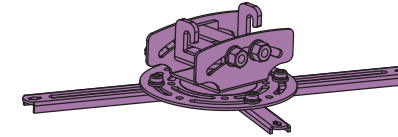
**Parts Checklist**



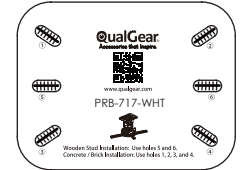
**IMPORTANT:** Before starting installation, please check that all parts shown in this checklist are included. If any parts are missing or damaged, contact your local distributor or support@qualgear.com for replacement parts and do not start assembly and installation until you receive all the parts.



Ceiling Mount

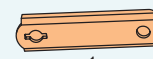


Projector Bracket



Wall Marking Template

**Hardware Package**



x1  
2.6" (66mm) Short Extension Bracket (x2)

A



x1  
4.64" (118mm) Long Extension Bracket (x2)

B



5mm Allen Key

E



M6 Wrench

F



Φ8x50mm Concrete Anchors (x4)

G



1/4"x2.5" Mounting Screw (x4)

H



M6x12mm (x4)

I



M2.5x15mm (x4)  
Φ6.5x3.3x1 (x4)

J



M3x20mm (x4)  
Φ6.5x3.3x1 (x4)

K



M4x25mm (x4)

L



M5x25mm (x4)

M



M6x25mm (x4)

N



Φ12x6.7x1 Washer (x4)

O



M6 Square Washer (x4)

P



Spacer (x4)

Q



Spacer (x4)

R



5.4mm Spacer (x4)

S



3.4mm Spacer (x4)

T



2.4mm Spacer (x4)

U



M6 Spring Washer (x4)

V

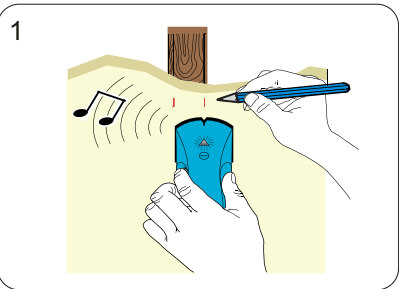
**Tools Needed for Assembly**

- Stud finder (edge-to-edge stud finder is recommended)
- 5/32" (4mm) bit for wood studs
- 5/16" (8mm) bit for solid concrete surfaces
- Socket wrench
- Hammer
- Marking pen
- Electric drill
- Philips screwdriver
- Measuring tape
- Level

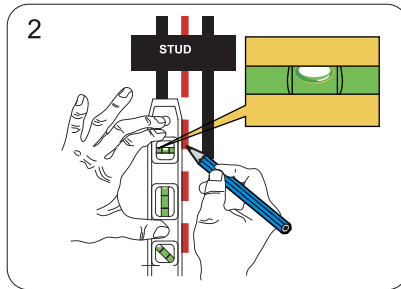
# 1A Installing the Ceiling Mount (Wood Joist Surfaces)



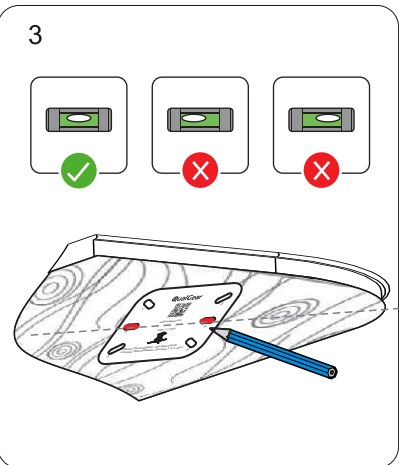
**IMPORTANT**  
For installation to concrete surfaces, skip to Step 1B.



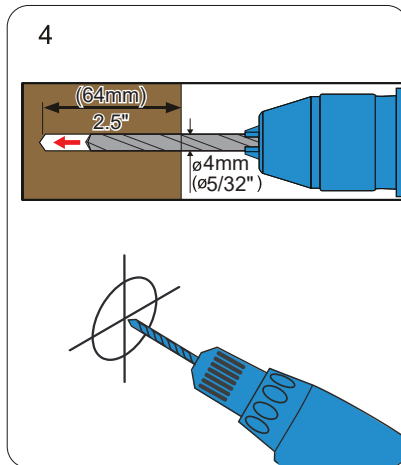
1 Using an edge-to-edge stud finder, find the edges of the stud in the ceiling.



2 Using a level, mark the centerline of the stud.

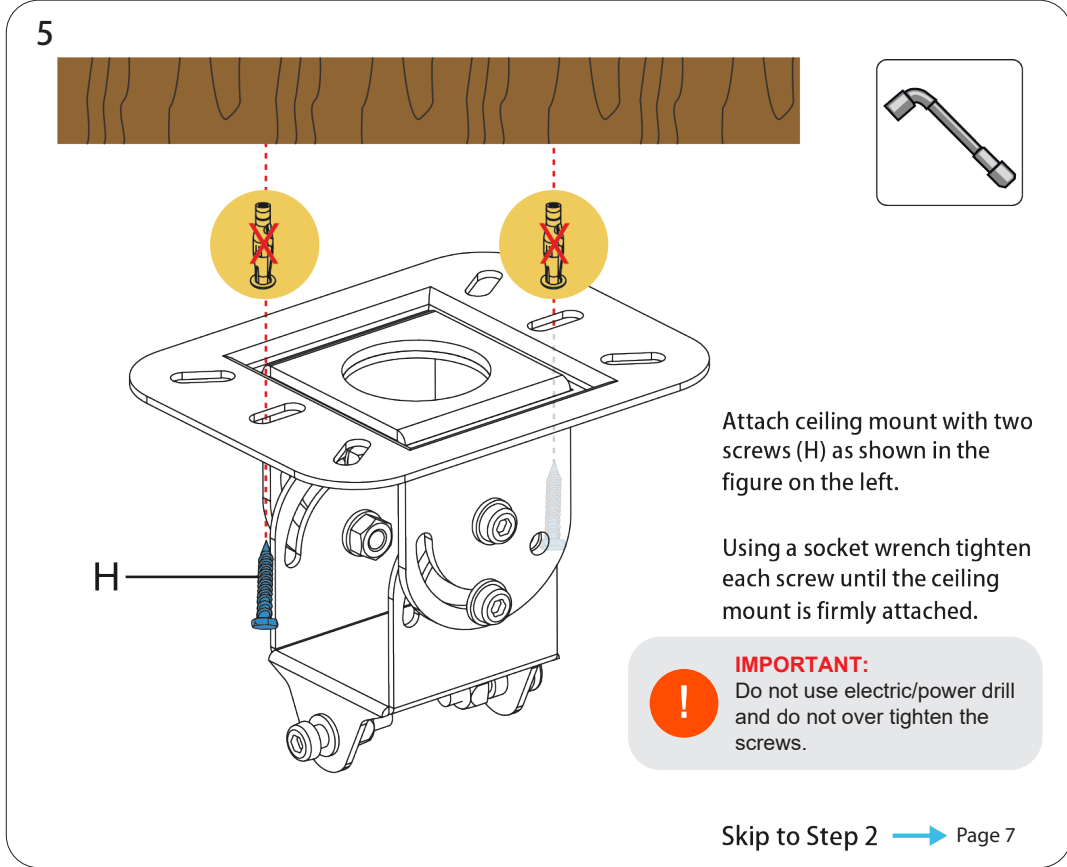
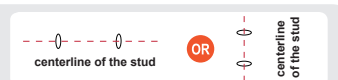


3 Using the marking template provided, mark holes for drilling on the centerline of the stud.



4 Using an electric drill and a 5/32" (4mm) drill bit, drill pilot holes to a minimum depth of 2.5" (64mm).

**TIP** Depending on the direction of the studs, choose the mounting holes accordingly.



Attach ceiling mount with two screws (H) as shown in the figure on the left.

Using a socket wrench tighten each screw until the ceiling mount is firmly attached.

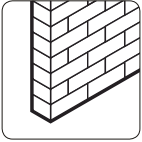
**IMPORTANT:**  
Do not use electric/power drill and do not over tighten the screws.

Skip to Step 2 → Page 7

## WARNING

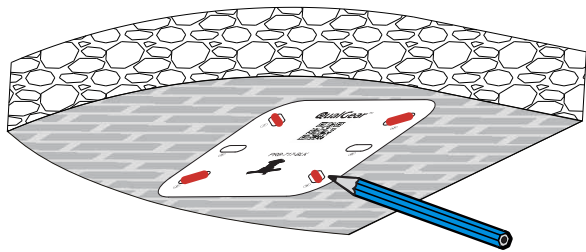
- Installers must verify that the supporting surface will safely support the combined weight of the equipment and all attached hardware and components.
- Make sure that mounting screws are anchored into the center of the stud. The use of an edge to edge stud finder is highly recommended.
- Hardware provided is for attachment of mount through standard thickness drywall into wood studs, or mount to solid concrete wall. Installers are responsible to provide hardware for other types of mounting situations.
- Tighten screws so that ceiling mount is firmly attached, but do not over tighten. Over tightening can damage the screws, greatly reducing their holding power.

## 1B) Installing the Ceiling Mount (Concrete Surfaces)



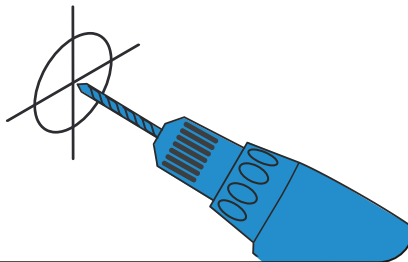
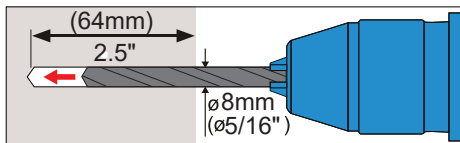
**IMPORTANT**  
For installation to wood surfaces, refer to Step 1A.

1



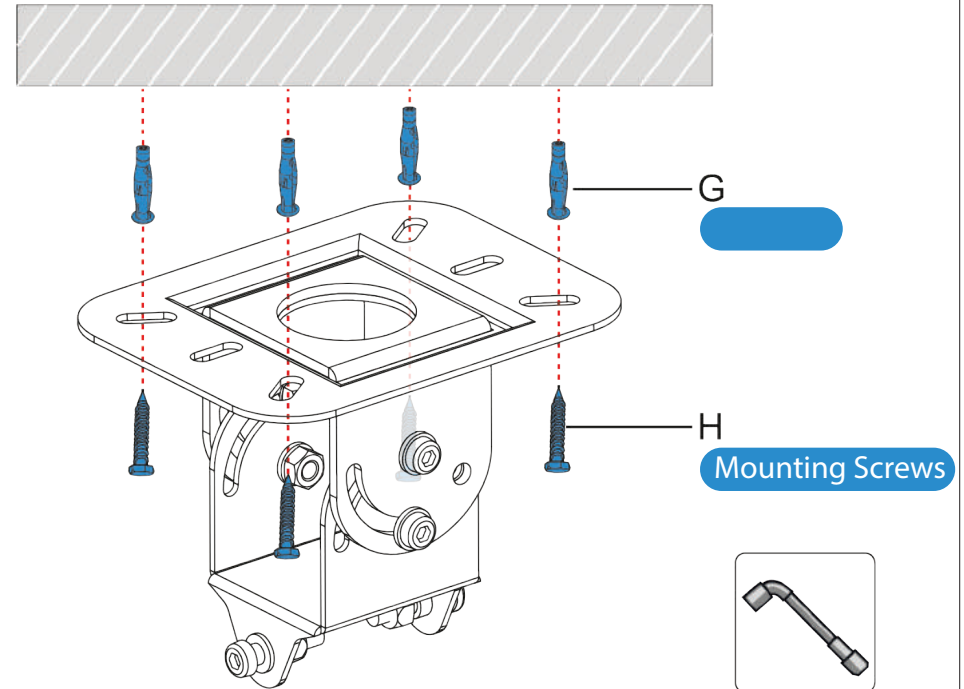
Hold the marking template provided against the ceiling where you want to install your projector, mark four holes for drilling using a marking pen or pencil.

2



Using an electric drill and a 5/16" (8mm) drill bit, drill the four mounting holes to a minimum depth of 2.5" (64mm).

3



Mounting Screws

### **WARNING**

- Concrete must be 2000 psi density minimum. Lighter density concrete may not hold concrete anchors.
- Make sure that the wall will safely support four times the combined load of the equipment and all attached hardware and components.

Attach ceiling mount with four concrete anchors (G) and four screws (H) as shown in the figure on the left.

Using a socket wrench tighten each screw until the ceiling mount is firmly attached.

### **IMPORTANT**

**!** Do not use electric / power drill and do not over tighten the screws.

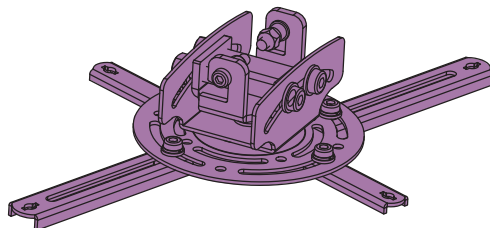
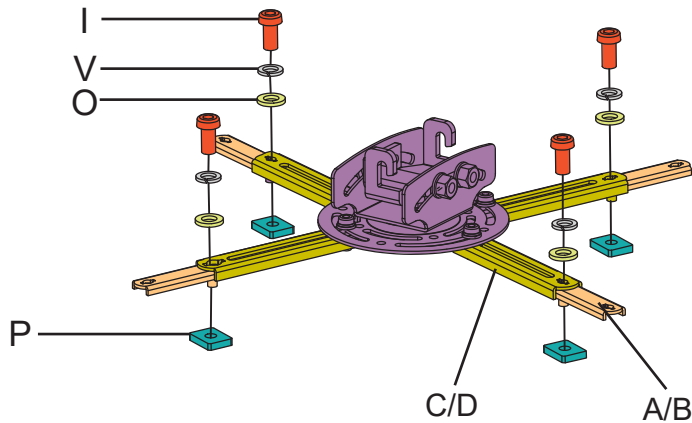
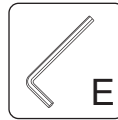
## 2 Attaching the Projector Bracket to the Projector

### WARNING

- If your projector model has three mounting holes only, please remove the fourth extension bracket using the supplied Allen Key (E).
- If your projector model does not have at least three mounting holes, do not use this mount.

Loosen the M6x12mm Screws using the supplied Allen Key (E) until you can slide the extension brackets freely, as shown.

To suit the mounting hole configuration of your projector, you may need to replace the attached Extension Brackets with the additional short or long Extension Brackets (A, B, C, D) supplied in the package.



You can use the supplied Projector Bracket without additional extension brackets.

Place the Projector Bracket Assembly over the Projector and align the center of the Mount with the Center of Gravity of the Projector.



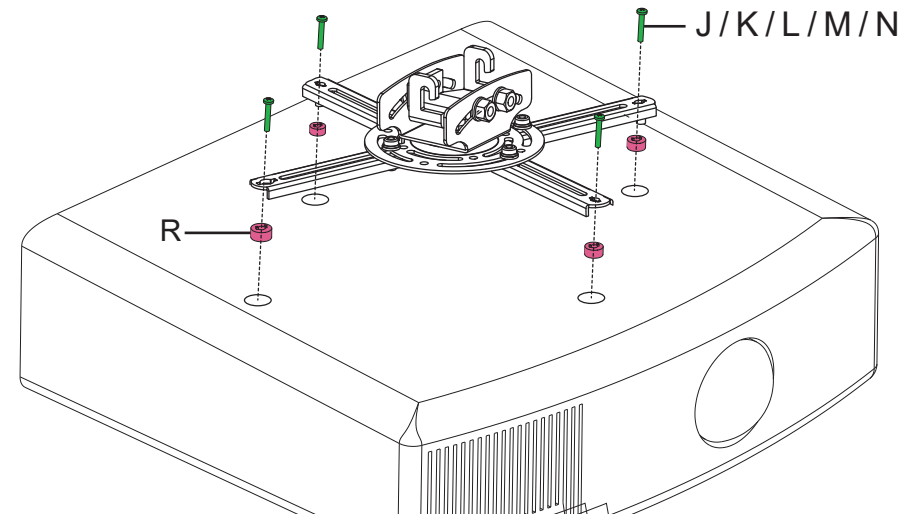
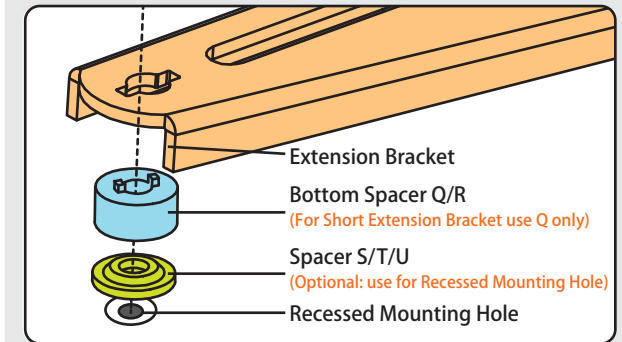
- TIP** Align the shift adjustment opening (at the center of the projector bracket) in parallel with the projector lens opening to allow shift adjustments to the projector.

Place the Bottom Spacers (R) in between the Extension Brackets and the Projector, and align the mounting holes as shown below. If you are using a short extension bracket you must use spacer Q.

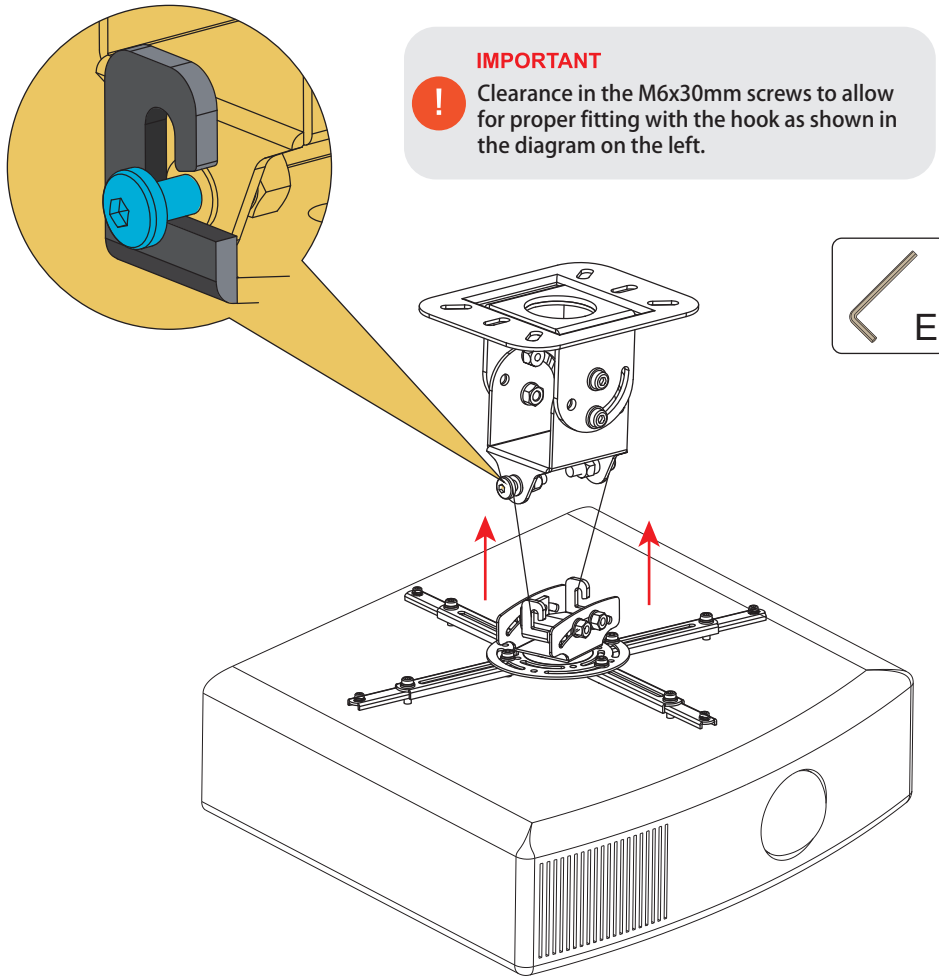
Select the correct Mounting Screws from the Hardware Package (J, K, L, M, or N) and firmly screw the Projector Bracket Assembly onto your Projector using a Philips Screwdriver. Once this is done, the Projector Bracket Assembly is ready to be mounted onto the Ceiling Mount.

**NOTE**

If your mounting holes are recessed into the projector, you may need to use the additional Spacers (S, T, U) supplied in the Hardware Package. Please select the appropriate Spacer(s) according to the design of your projector.



### 3 Attaching the Projector Assembly to the Ceiling Mount

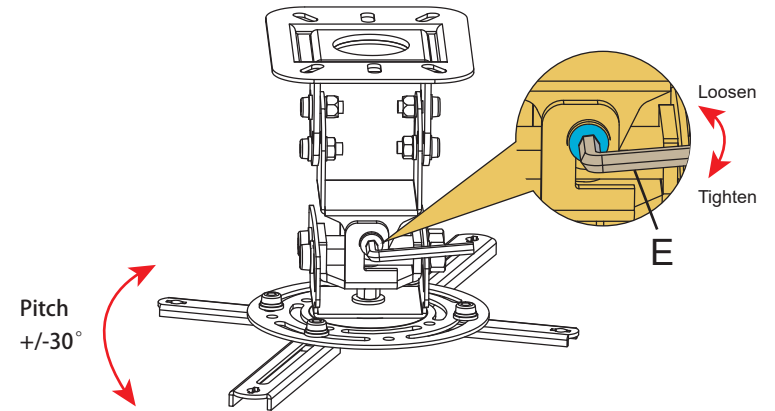


Using an assistant to support the weight of the projector, attach the Projector Assembly to the Ceiling Mount as shown above. Tighten the M6x30mm screws on either side with the supplied Allen Key (E).

**TIP** When the projector requires servicing, remove the projector via this easy disconnection point to save time.

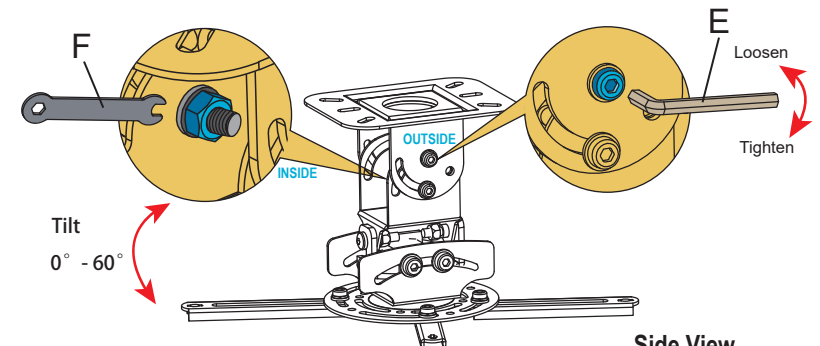
### 4 Adjusting the Projector (Part 1 of 2)

#### Pitch Adjustment



To make Pitch adjustment, first ensure the weight of the projector is supported. Then loosen both M6x25mm screws with the supplied Allen Key (E), and adjust to your desired position. Re-tighten both screws firmly.

#### Tilt Adjustment



To make Tilt adjustment, first ensure the weight of the projector is supported. Then loosen both M6x20mm screws on either side with the supplied Allen Key (E) and Wrench (F), and adjust to your desired position. Re-tighten all screws firmly.