

Gigabit 802.3at PoE Extender

Features

- 802.3af / 802.3at Compatible
- 10/100/1000Mb Compatible
- Weatherproof – Outdoor rated
- Easy Plug and Play Operation
- Extends PoE an additional 100m
- Auto Link Speed, Duplex and Crossover



POE-EXT-GD-HP

Applications

- Wireless Equipment
- IP Telephone
- Security Applications
- Sensor Equipment

Description

The POE-EXT-GD-HP is a high quality, high power, shielded Gigabit Ethernet and PoE extender to be able to extend Ethernet beyond the standard 100m limit. By using multiple units, Ethernet and PoE can be extended up to 300m over CAT5/CAT6 cables. The units are powered by PoE so no additional power source is required. Units can accept Mode A (Pins 1,2,3,6) or Mode B (Pins 4,5,7,8) PoE: 802.3af, 802.3at or 48V Passive PoE.

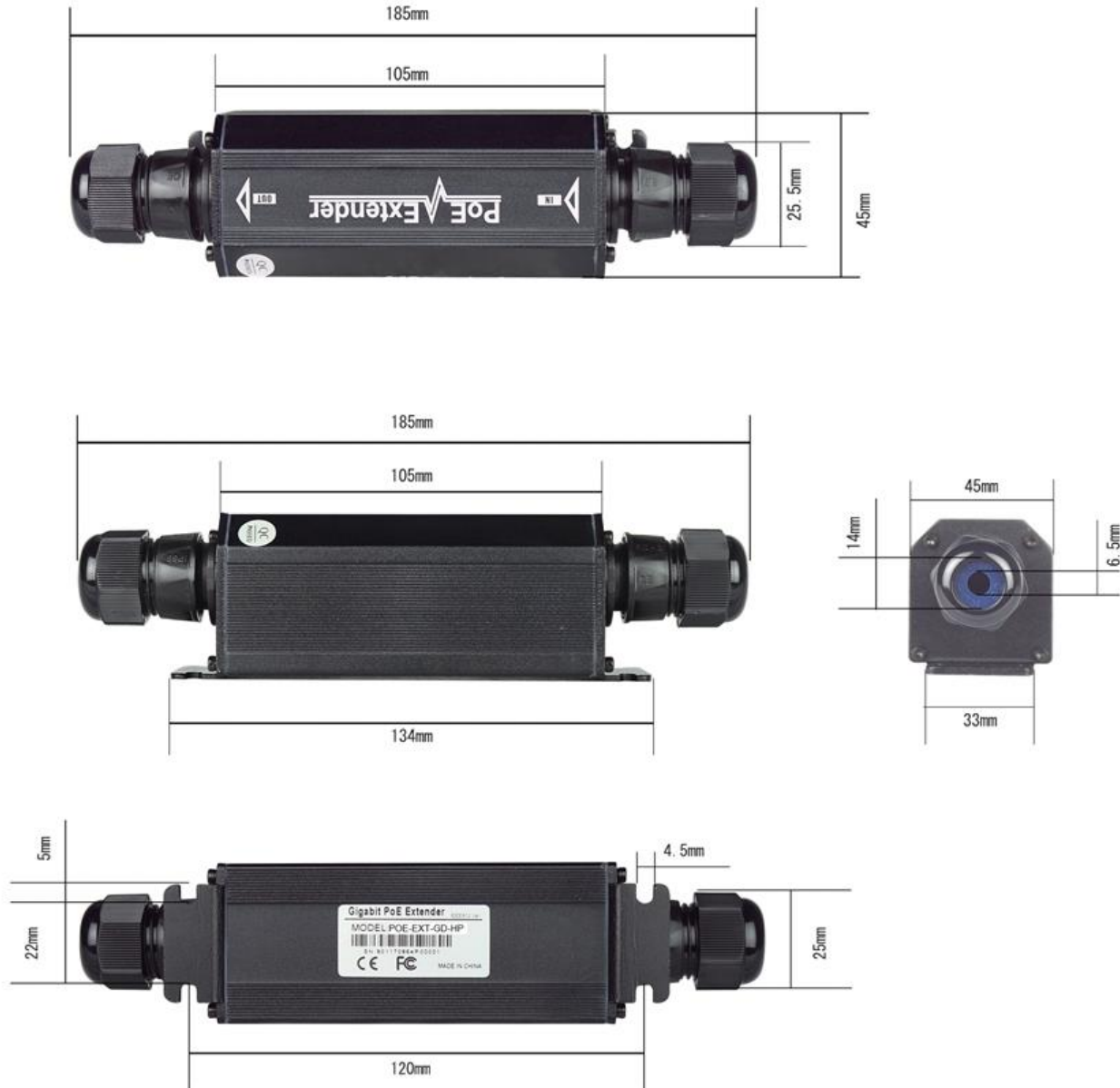
The rugged outdoor weatherproof enclosures are powder coated aluminum and are rated to IP66. The units meet outdoor temperature ratings of -25C to +55C.

Specifications

	POE-INJ/SPLT-G
PoE Input	802.3af / at / 44 to 57V Passive
PoE Input Pinout	1,2(-) 3,6(+) or 7,8(-) 4,5(+)
PoE Output	802.3af or 802.3at Class 4
PoE Output Pinout	1,2(+) 3,6(-) Up to 25W
Data Speeds	10/100/1000Mb
Self Consumption Power	2.0W Typ
Operating Temperature	-13°F to 131°F (-25°C to +55°C)
Operating Humidity	0 to 100% RH
Size	7.3 x 1.8 x 1.8" (185x45x45mm)
Weight	8.5oz (240g)
Warranty	2 Years

CAT5e/CAT6 Cable Loss @ 100m	
Load	Cable Loss
8W	0.2W
15W	0.7W
20W	1.2W
25W	2W

POE-EXT-GD-HP Dimensions



Ordering: **POE-EXT-GD-HP** Gigabit 802.3af/at PoE Extender

For further information contact:

Tyconsystems.com

