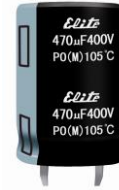


PO Series

- Endurance with ripple current: 2,000 hours at 105°C



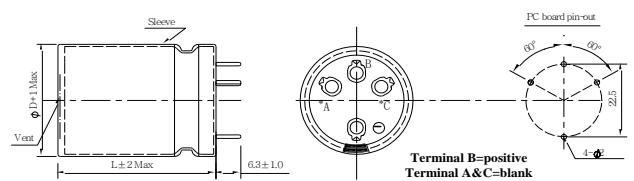
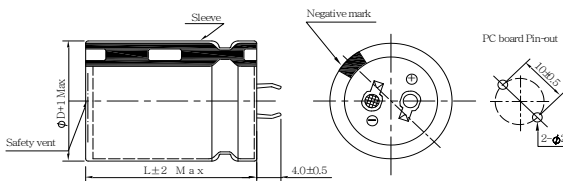
SPECIFICATIONS

Item	Performance Characteristics			
Category Temperature Range	-25 ~ +105°C			
Working Voltage Range	400 ~ 450Vdc			
Capacitance Range	68 ~ 680µF			
Capacitance Tolerance	±20% (at 25°C and 120Hz)			
Dissipation Factor (tanδ) (at 25°C, 120Hz)	Rated Voltage (V)	400	420	450
	tanδ(Max)	0.15	0.20	0.20
Leakage Current	$I \leq 3 \sqrt{CV}$ I : Leakage current (µA) C : Rated capacitance (µF) V : Rated voltage (V) Impress the rated voltage for 5 minutes			
Low Temperature Characteristics Impedance Ratio(MAX)	Rated voltage (V)	400	420 ~ 450	
	Z(-25°C)/Z(+20°C)	4	8	
Endurance	The following specifications shall be satisfied when the capacitors are restored to 25°C after subjected to DC voltage with the rated ripple current is applied for 2,000 hours at 105°C.			
	Capacitance change	≡ ±20% of the initial value		
	Dissipation factor(tanδ)	≡ 200% of the specified value		
	Leakage current	≡ The initial specified value		
Shelf Life	The following requirements shall be satisfied when the capacitor are restored to 25°C after exposing them for 1,000 hours at 105°C without voltage applied.			
	Capacitance change	≡ ±15% of the initial value		
	Dissipation factor(tanδ)	≡ 150% of the specified value		
	Leakage current	≡ The initial specified value		
Others	Conforms to JIS-C-5101-4 (1998), characteristic W			

DIMENSIONS (mm)

Terminal Code : ND : Standard

Terminal Code :K6 (ø35)



PART NUMBER SYSTEM(Example : 420V 680µF)

P O 2 S 6 8 1 M N D 3 5 5 5

Special Request

Size code(3555 : 35×55)

Terminal length code

Lead forming Type code

Capacitance tolerance code(M: ±20%)

Capacitance code (680µF)

Voltage code (420V)

Series code (PO)

Aluminum Electrolytic Capacitor

Customer	Digi-Key	SERIES	PO	NO.:	PUBLISH DATE	2022-03-25
-----------------	-----------------	---------------	-----------	-------------	---------------------	-------------------

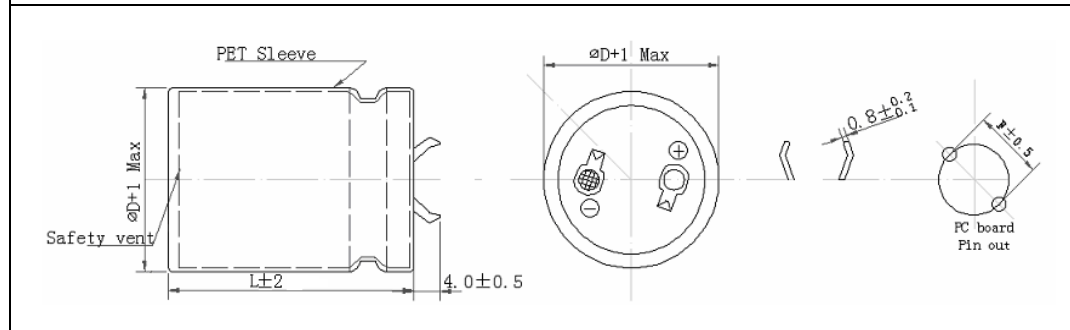


FIG-1

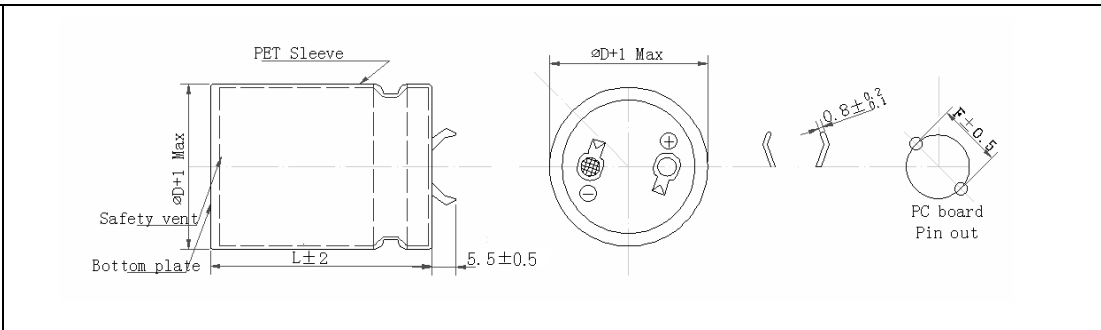


FIG-2

No.	CHINSAN Part No.	Customer Part No.	Capacitance (uF)	Tolerance On rated Capacitance (%)	Working Voltage (Vdc)	Surge Voltage (Vdc)	Category Temp Range (°C)	Tanδ @ 25°C (120Hz) (Max)	Leakage Current (uA) (2 min.)	Rated Ripple Current (mA rms) @ 105°C 120Hz	Rated Ripple Current (mA rms) @ 105°C 100kHz	ESR @ 25°C (mΩ max/ 120Hz)	Impedance @ 20°C (mΩ max/ 100kHz)	Endurance @ 105°C (Hours)	Dimensions (mm)					Appearance Drawing No
															D	L	a	d	F	
1	PO2H271MND3035Y	/	270 μF	±20%	500 V	/	-25~+105	/	/	1350	/	840	/	2000	30	35	/	/	10	FIG-1
2	PO2G101MNN2225R	/	100 μF	±20%	400 V	/	-25~+105	/	/	1050	/	/	/	2000	22	25	/	/	10	FIG-2

※Test leakage current before testing dissipation factor and capacitance during the electric characteristic test.

REMARKS:	APPROVED BY	CHECKED BY	PREPARED BY
Sleeve Color: Black. Suffix Y represents assembly without gasket.	张洪斌	曾爱娥	梁慧妍