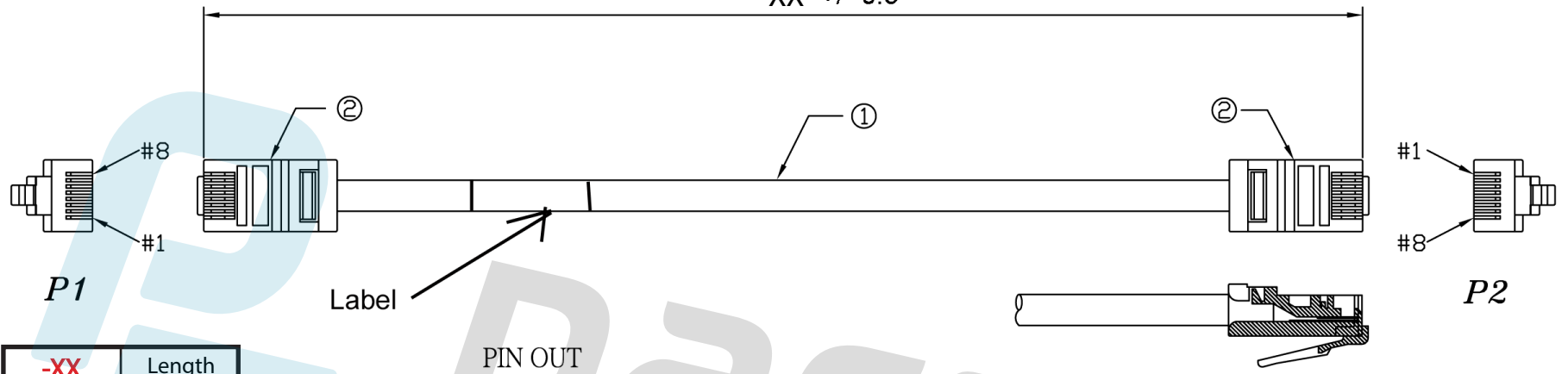


1 2 3 4 5 6

A

A

XX" +/- 0.5"



-XX	Length
-06	6 inch
-08	8 inch
-10	10 inch
-12	12 inch
-14	14 inch
-16	16 inch
-18	18 inch
-20	20 inch
-22	22 inch

PIN OUT

P1	P2	Color
1	1	Orange/White
2	2	Orange
3	3	Green/White
6	6	Green
4	4	Blue
5	5	Blue/White
7	7	Brown/White
8	8	Brown
S	S	D. W.

For Customer Made Items Order:  
 \* Minimum \$100 value  
 \* NCNR (Non-cancelable & non-returnable)  
 \* One time tooling charge, if any, need to be paid in advance with P.O.  
 \* All drawings or First Articles, if any, must be approved with authorized signature & date.  
 \* Turnaround time counted ARO (After Received Order)

APPROVED BY \_\_\_\_\_  
 COMPANY: \_\_\_\_\_  
 PURCHASING/ENGINEER: \_\_\_\_\_  
 DATE: \_\_\_\_\_

B

B

C

C

2	P1 P2 Conn: CAT6 Shielded RJ 45 8P8C Plug.
1	Cable: CAT6 STP 24AWG(7/0.20BC)*4Pairs+AL/ML+D.W. Jacket Color: Black, OD=6.5±0.1mm.
Item	DESCRIPTION

X ±	X° ±	NAME:			
.X ±	.X° ±	W1			
.XX ±	.XX° ±	UNITS:	PART NO.:	TITLE:	
		MM	PN-S6K-XXIN	CAT6 24AWG SHIELDED CABLE, BLACK	
				DWG NO.:	
				2007.06.27	
		APPD BY	CHECK BY	DRAWN BY	
					SCALE SHEET REV. NONE 1/1 A

1 2 3 4 5 6

D

D