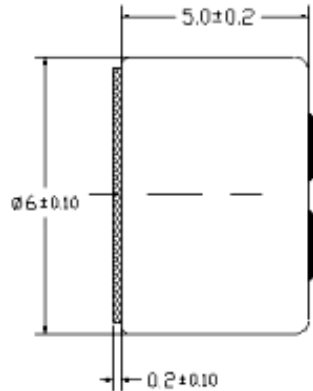
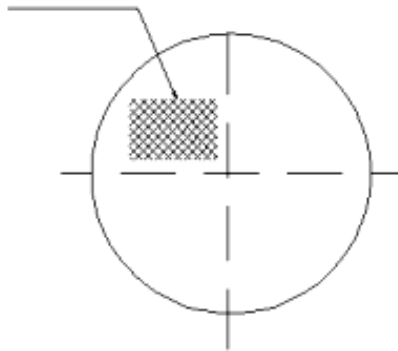


**May not be suitable for all Medical and Aerospace applications.
Contact Mallory Sonalert to discuss your application.**

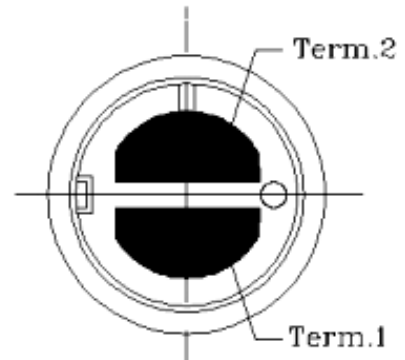
| | |
|-------------------------|--|
| Sensitivity Range | -44 ± 3 dB RL = 2.2 kΩ Vcc = 2.0v (1 kHz 0 dB = 1 v/Pa) |
| Impedance | Max. 2.2kΩ 1 kHz (RL = 2.2 kΩ) |
| Frequency | 20 - 16000 Hz |
| Current Consumption | Max 0.5 mA |
| Operating Voltage Range | 1.0 – 10 V |
| Max SPL (dB) | 120 dB |
| S/N Ratio | More than 58 dB |
| Sensitivity Reduction | 2.0 –1.5V Variation less than 3 dB |
| Storage Condition | -20 ~ +60°C; R.H. < 45% ~ 75% |
| Operating Condition | -10 ~ +45°C; R.H. <85% |
| Weight (g) | 0.5 |
| Options | For other options contact factory |

Dimensions: (units: mm)

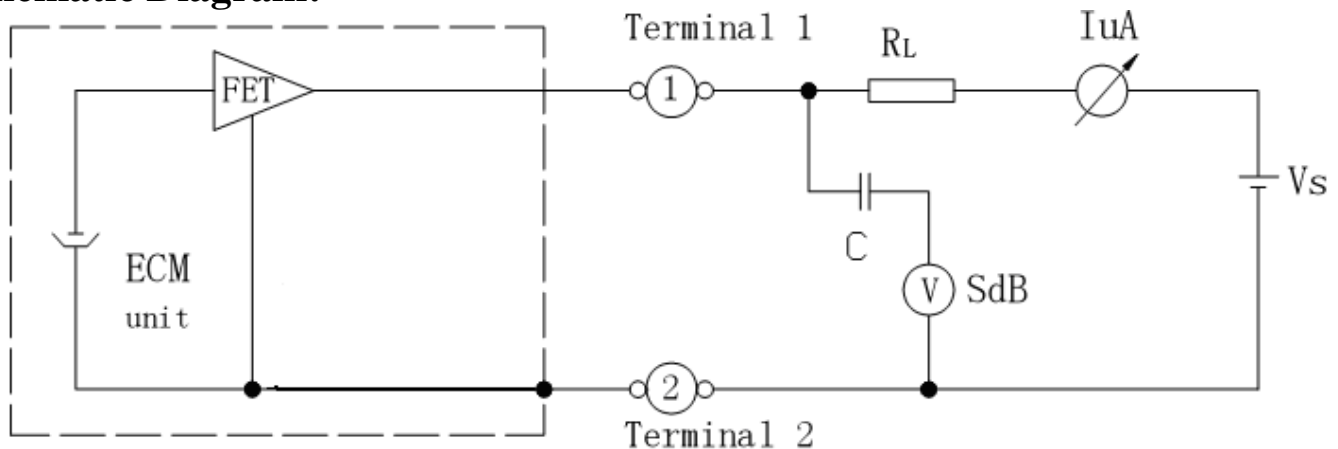
Filter



ROHS Compliant



Schematic Diagram:



Packaging: Bulk pack in quantities of 100pcs.