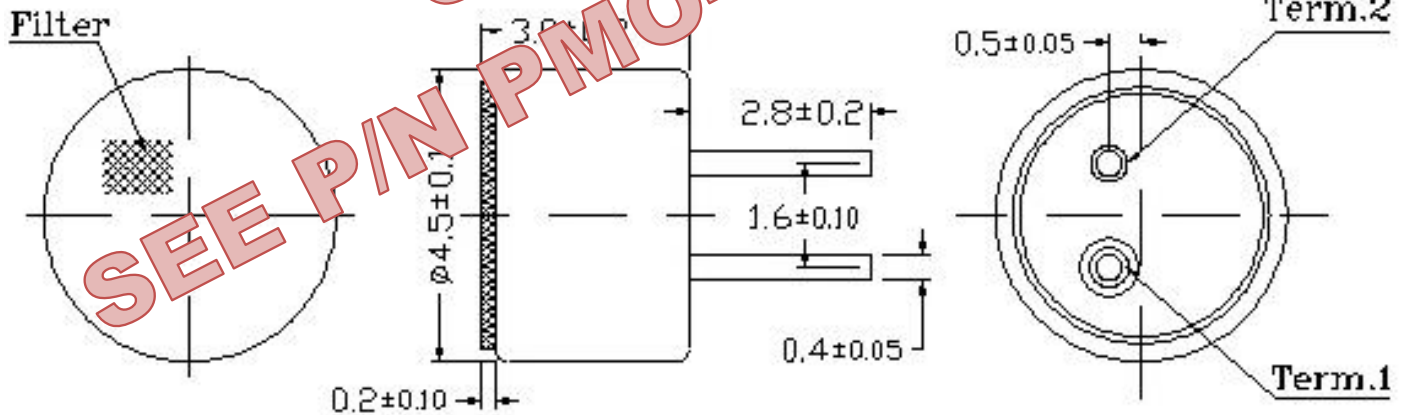


**May not be suitable for all Medical and Aerospace applications.  
Contact Mallory Sonalert to discuss your application.**

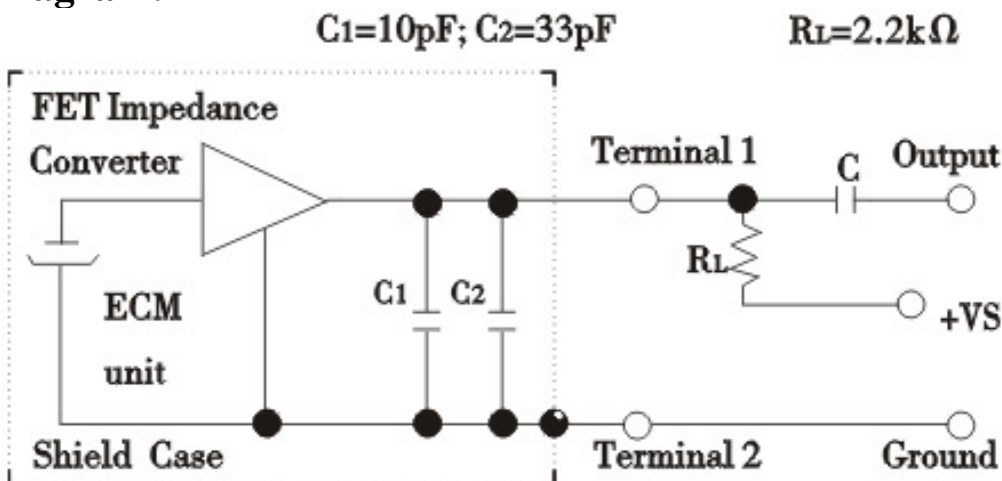
Sensitivity Range	-47 ± 3 dB $R_L = 2.2\text{ k}\Omega$ $V_{CC} = 2.0\text{v}$ (1 kHz 0 dB = 1 v/Pa)
Impedance	Max. 2.2k $\Omega$ 1 kHz ( $R_L = 2.2\text{ k}\Omega$ )
Frequency	20 - 16000 Hz
Current Consumption	Max 0.5 mA
Operating Voltage Range	1.0 – 10 V
Max SPL (dB)	120 dB
S/N Ratio	More than 58 dB
Sensitivity Reduction	2.0 – 1.5V Variation less than 2 dB
Storage Condition	-20 ~ +60 °C, R.H. < 45% $\Delta$ 5%
Operating Condition	-10 ~ +45 °C, R.H. < 65%
Weight (g)	
Options	For other options contact factory

**Dimensions:** (units: mm)

ROHS Compliant



**Schematic Diagram:**



**Packaging:** Bulk pack in quantities of 100pcs.