

DESCRIPTION

CAT8 shielded fielded plug adopts a tool-free design, which meets or exceeds the current CAT8 transmission standards, supports 40G Ethernet (40GBASE-T) application systems, and meets the performance requirements of CAT8 2000MHz and 30 meters channels and connection. With a wide range of applications, from home networks to data centers.

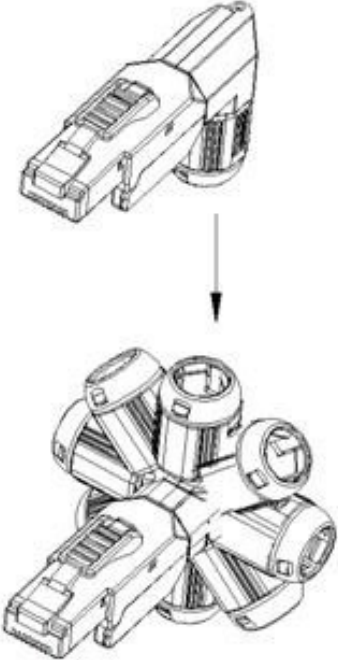
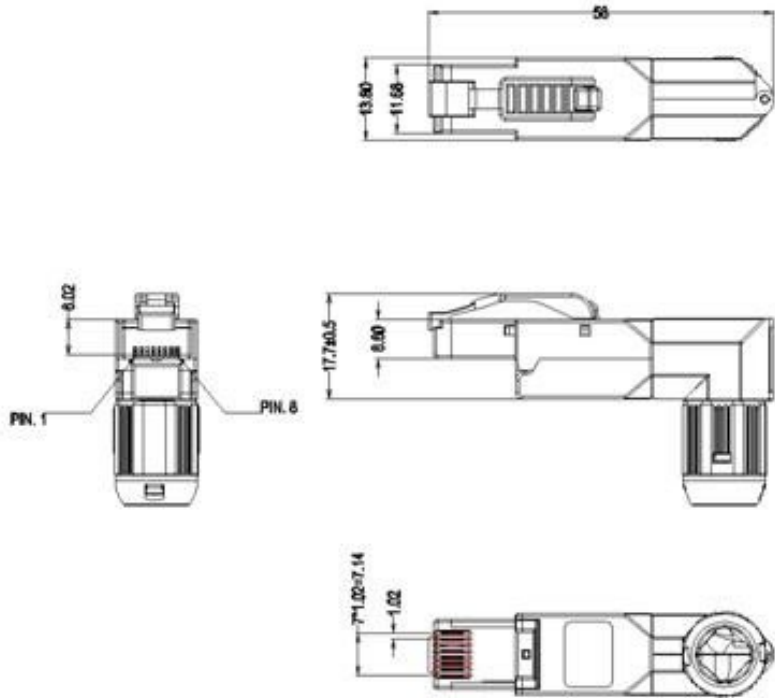
APPLICATION

- Unique exterior design, simple, compact and beautiful
- Comply with ergonomic principle and with termination-free design
- Unique PCB circuit board design reduces EMI/RFI interference, low attenuation loss and high return loss
- Overall zinc alloy shielding design meets the industry standards
- Meet the requirements of both T568A/T568B
- Contact: phosphor bronze, phosphor bronze with 15 to 50μ" gold plate can be selected, with a durability of 750 matching recycles
- With backward compatibility of CAT 6A and lower classes
- There are 8 directions (8 x 45°) can be rotated.

CONSTRUCTION

Description:	Parameter
Contact resistance (max)	20mΩ
Insulation resistance(min)	500MΩ
Return loss(dB):	7.4 dB

PRODUCT DIMENTION



8*45°
There is 8 directions can be rotated