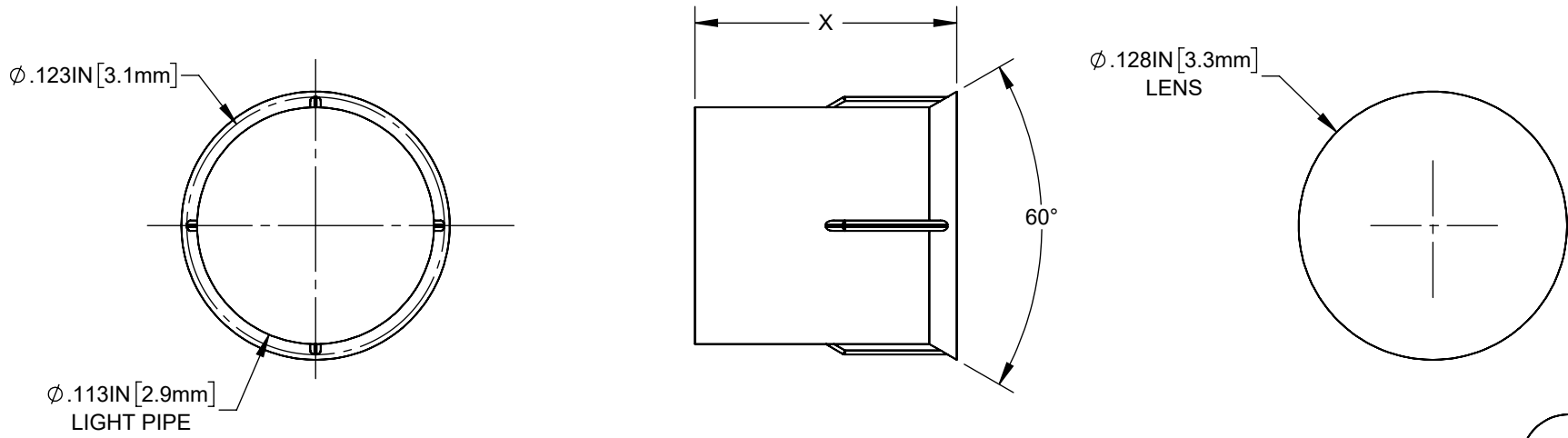
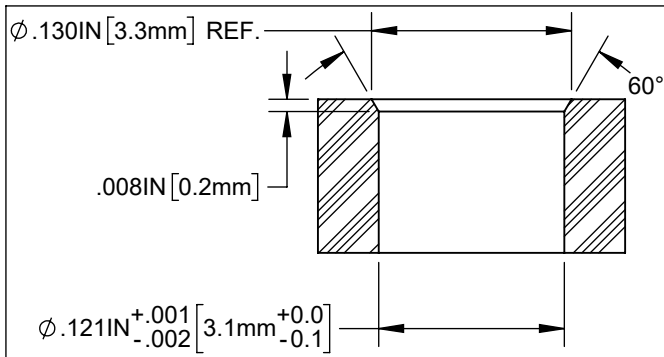


REVISIONS			
REV.	DESCRIPTION	DATE	APPROVED
B	Engineering Release	07/15/15	J.C.
C	Added Color Options, Sheet #2	01/25/16	J.C.
D	Revised Color Table, Sheet #2	7/02/2018	G.O.
E	Revised Mounting Hole Spec per ECO-1209	7/10/2023	A.V.



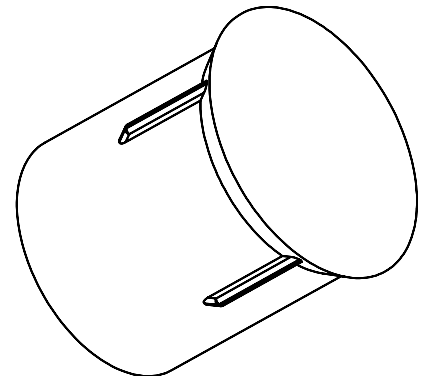
(E)



**RECOMMENDED MOUNTING HOLE:**  
 STEP 1: DRILL Ø 0.121" (3.1mm) THROUGH HOLE  
 STEP 2: USE 60° COUNTERSINK DRILL BIT TO DRILL DOWN 0.008" (0.2mm)

**BODY LENGTHS FOR CLEAR LIGHT PIPES**

PART NO.	X = BODY LENGTH
PLPC3-100	0.100 (2.5mm)
PLPC3-125	0.125 (3.2mm)
PLPC3-188	0.188 (4.8mm)
PLPC3-150	0.250 (6.4mm)
PLPC3-313	0.313 (7.9mm)
PLPC3-375	0.375 (9.5mm)
PLPC3-500	0.500 (12.7mm)
PLPC3-3MM	3mm (0.118")
PLPC3-4MM	4mm (0.157")
PLPC3-5MM	5mm (0.197")
PLPC3-6MM	6mm (0.236")
PLPC3-7MM	7mm (0.276")
PLPC3-8MM	8mm (0.315")
PLPC3-9MM	9mm (0.354")
PLPC3-10MM	10mm (0.394")



**CUSTOMER USE DRAWING**

**NOTES:**

- 2. MATERIAL: POLYCARBONATE, UL94V-0, CLEAR.
- 1. GENERAL SPECIFICATIONS: BIVAR MOLDED COMPONENT SPECIFICATIONS: BV00-E101 and BSCM-1001

STANDARD TOLERANCE (UNLESS OTHERWISE SPECIFIED)		 4 THOMAS, IRVINE, CA. 92618 TEL: (949) 951-8808 FAX: (949) 951-3974	
DECIMALS	ANGULAR		
.X ± .1	X° ± 1°	TITLE: PRESS FIT, PANEL MOUNT LIGHT PIPE, FLUSH, 3mm	
.XX ± .01			
.XXX ± .005			
DESIGNED: A. WRIGHT	DATE: 4/24/15	DRAWING NO: PLPC3-XXX	
REVISION: M. PAGDONSOLAN	DATE: 7/10/23	SHEET SIZE A	CAGE CODE: 32559
CHECKED: A. VALDEZ	DATE: 7/10/23	SCALE: 16:1	SHEET # 1 OF 2

OTHER AVAILABLE COLORS  
 \*SEE TABLE FOR ORDERING INFORMATION

REVISIONS			
REV.	DESCRIPTION	DATE	APPROVED
-	SEE SHEET1	-	-

## AVAILABLE COLOR OPTIONS

**PLPC3 -**

RIGID LIGHT PIPE SERIES      LENGTH


PART NUMBER	BODY LENGTH	COLOR	ORDER CODE
PLPC3-100	0.100" (2.5mm)	TINTED BLUE	BE
PLPC3-125	0.125" (3.2mm)	TINTED GREEN	GN
PLP3-2.5mm	2.5mm (0.100")	TINTED RED	RD
PLPC3-3mm	3mm (0.118")	TINTED YELLOW	YW

**PLPC3 -**

RIGID LIGHT PIPE SERIES      LENGTH

PART NUMBER	BODY LENGTH	COLOR	ORDER CODE
PLPC3-100	0.100" (2.5mm)	DIFFUSED	D
PLPC3-125	0.125" (3.2mm)	SMOKED	S
PLP3-2.5mm	2.5mm (0.100")		
PLPC3-3mm	3mm (0.118")		

## CUSTOMER USE DRAWING

STANDARD TOLERANCE (UNLESS OTHERWISE SPECIFIED)		<b>BIVAR</b> <sup>®</sup>	
DECIMALS	ANGULAR	4 THOMAS, IRVINE, CA. 92618	
.X ± .1	X° ± 1°	TEL: (949) 951-8808 FAX: (949) 951-3974	
.XX ± .01		 <b>TITLE:</b> PRESSFIT, PANEL MOUNT LIGHT PIPE, FLUSH, 3mm	
.XXX ± .005			
DESIGNED: A. WRIGHT	DATE: 4/24/15	<b>DRAWING NO:</b> PLPC3-XXX	REVISION: <b>E</b>
REVISED: M. PAGDONSOLAN	DATE: 7/10/23	<b>SHEET SIZE</b> <b>A</b>	<b>CAGE CODE:</b> 32559
CHECKED: A. VALDEZ	DATE: 7/10/23	<b>SCALE:</b> 24:1	<b>SHEET # 2 OF 2</b>
CAD GENERATED DOCUMENT, DO NOT MEASURE DRAWING			