

# PLD Series

Ø25mm LED Tower Light



## Ordering Information

PLD	S	F	-	5	01	-	RYGBC
	①	②		③	④		⑤
① Pole Length	S	65mm pole					
	L	200mm pole					
② Light Style	no mark	Steady					
	F	Steady & Flashing					
③ Number of Stacks	1	1 Light					
	2	2 Lights					
	3	3 Lights					
	4	4 Lights					
	5	5 Lights					
④ Power Supply	01	12VDC					
	02	24VDC					
⑤ Lens Colors (top to bottom)	R	Red					
	Y	Yellow					
	G	Green					
	B	Blue					
	C	Clear					

- Strong aluminum body
- Well suited for small device applications
- Long LED life and reliable operation
- Prism-cut lenses for even light distribution
- Direct mounting pole installed
- Lead wire connection

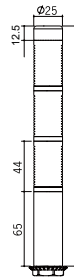
## Specifications

Operation/Function	Steady/ Flashing		
Maximum tier	5		
Body Style	Aluminum, Silver body		
Lens Diameter	25 mm (1 inch)		
Flash Rate	Approx. 80 ± 5 flashes/min.		
Certificate/Compliance	CE, RoHS		
Vibration	0.75mm at 10~55Hz		
Ambient Temperature	-15°C~40°C		
Storage Temperature	-20°C ~ 70°C		
Ambient Humidity	45~85% RH		
Degree of Protection	IP52		
Recommended Wire Size	1007 UL / 22 AWG		
Power supply	12VDC	24VDC	
Current Consumption (RMS ±10%)	1stack	0.07A	0.03A
	2stack	0.14A	0.07A
	3stack	0.21A	0.10A
	4stack	0.28A	0.13A
	5stack	0.35A	0.16A

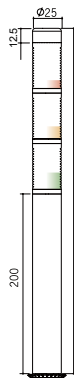


## Dimensions (unit:mm)

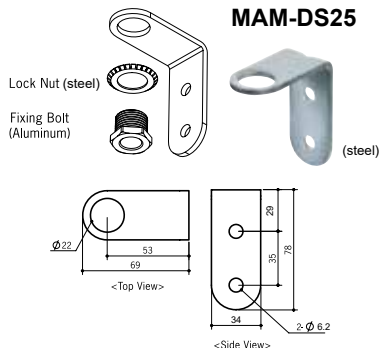
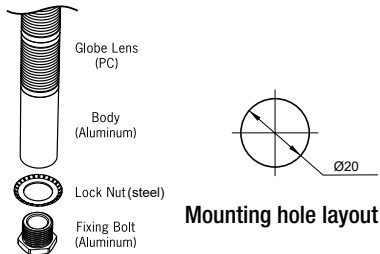
PLDS-000-00000  
PLDSF-000-00000



PLDL-000-00000  
PLDLF-000-00000



## Built-in mounting method



## Optional L-angle mounting bracket use

## Wiring Diagram

