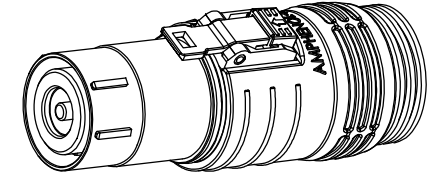


THIS DRAWING IS SUPPLIED FOR INFORMATION ONLY. DESIGN FEATURES, SPECIFICATIONS AND PERFORMANCE DATA SHOWN HEREON ARE THE PROPERTY OF THE AMPHENOL CORPORATION. NO RIGHTS OF REPRODUCTION ARE IMPLIED. ALL DIMENSIONS ARE SUBJECT TO NORMAL MANUFACTURING VARIATIONS.

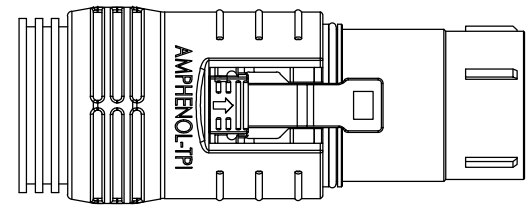
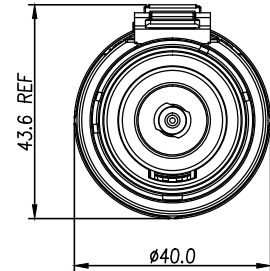
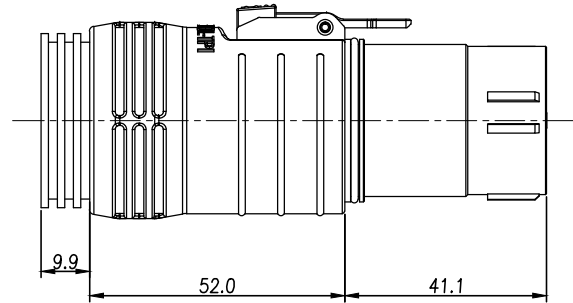
Customer Drawing

REVISIONS						
REV	ZONE	ECO	DESCRIPTION	DATE	BY	APPR
A	--	--	INITIAL RELEASE	11/14/19	Tim	JL



Standard Part List

P/N	Polarization
PL10X-501-B	X
PL10Y-501-B	Y
PL10U-501-B	U
PL10V-501-B	V
PL10W-501-B	W



- 规格参数 (Spec.):
1. 工作温度 Operating temperature: -40° C~+125° C.
  2. 耐电压 Dielectric withstanding voltage: 5000 VDC.
  3. 防护等级 Protection class: IP67 & IP2X.
  4. 电磁屏蔽 Shielding.
  5. 机械寿命 Mating cycle: 100 Min.
  6. 带自动二次锁扣 Automatic secondary lock.
  7. 带高压互锁 Electrical interlock (HVIL).
  8. 对配插座见图纸 Mating receptacle see drawing: PL00-500.

	Amphenol Technical Products International GZ					PART NAME:	
	第三角投影 THIRD ANGLE PROJECTION	页面 SHEET	幅面 SIZE	版次 REV.	比例 SCALE	PowerLok 14mm 1POS Blind Plug	
签名 SIGNATURE		日期 DATE		UNLESS OTHERWISE SPECIFIED 1) All dimensions are in metric (mm). 2) Tolerances are as follows: 0 PL DEC ±1.00 1 PL DEC ±0.50 2 PL DEC ±0.20 Angles ±1°		DWG NO:	
制图 DRAWN		Tim				09/24/19	
审核 CHECKED						CUST PART #:	
批准 APPROVAL						N/A	
						CUST REV.	
						-	