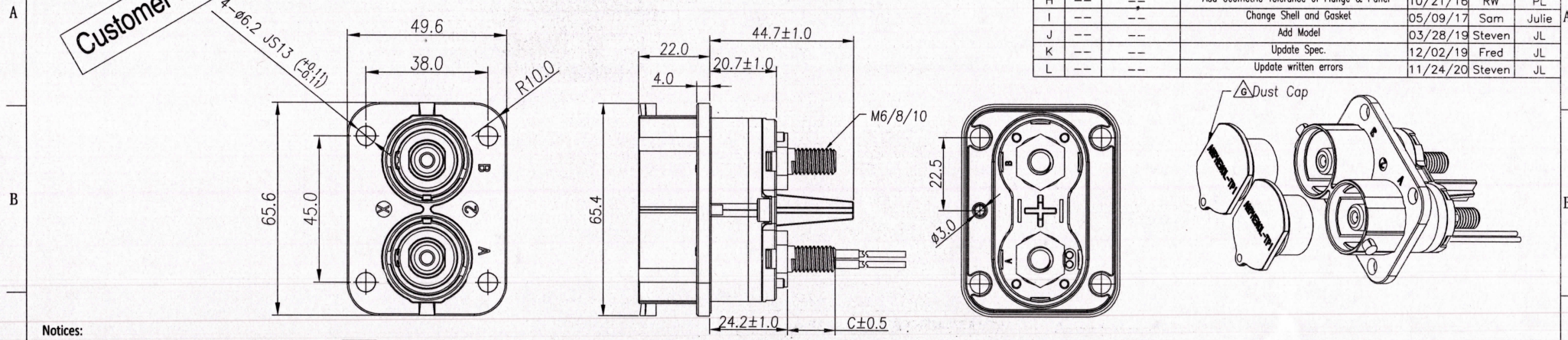


THIS DRAWING IS SUPPLIED FOR INFORMATION ONLY. DESIGN FEATURES, SPECIFICATIONS AND PERFORMANCE DATA SHOWN HEREON ARE THE PROPERTY OF THE AMPHENOL CORPORATION. NO RIGHTS OF REPRODUCTION ARE IMPLIED. ALL DIMENSIONS ARE SUBJECT TO NORMAL MANUFACTURING VARIATIONS.

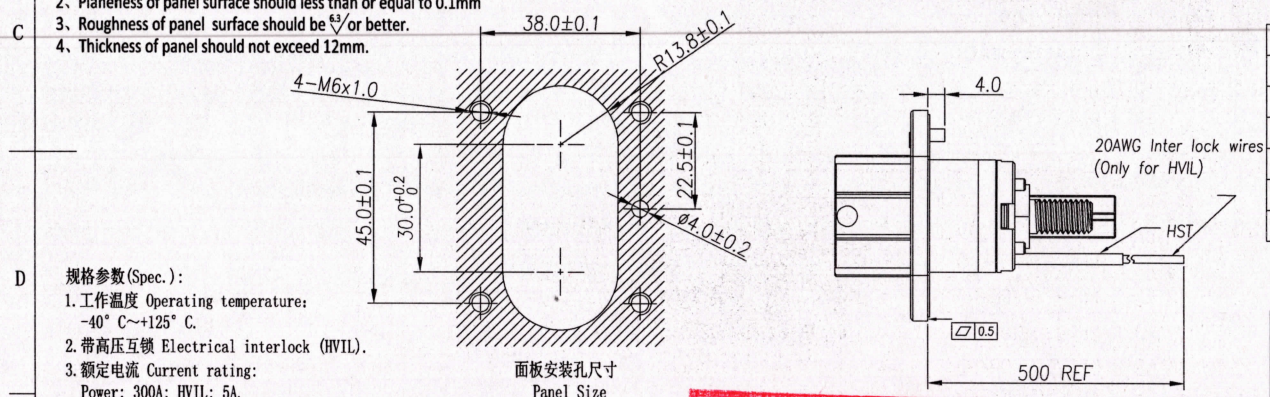
Customer Drawing

REVISIONS						
REV	ZONE	ECO	DESCRIPTION	DATE	BY	APPR
A	--	--	INITIAL RELEASE	05/21/14	RW	EC
G	--	--	Add Dust Cap & Change HVIL Wire, Update Spec.	03/30/16	RW	GX
H	--	--	Add Geometric Tolerance of Flange & Panel	10/21/16	RW	PL
I	--	--	Change Shell and Gasket	05/09/17	Sam	Julie
J	--	--	Add Model	03/28/19	Steven	JL
K	--	--	Update Spec.	12/02/19	Fred	JL
L	--	--	Update written errors	11/24/20	Steven	JL



Notices:

- All non-dimensioned surfaces according to 3D-model & $\square 3$
- Planeness of panel surface should less than or equal to 0.1mm
- Roughness of panel surface should be $\sqrt{3}$ or better.
- Thickness of panel should not exceed 12mm.



规格参数 (Spec.):

- 工作温度 Operating temperature: -40° C~+125° C.
- 带高压互锁 Electrical interlock (HVIL).
- 额定电流 Current rating: Power: 300A; HVIL: 5A.
- 额定电压 Operating voltage: Power: 1000 VDC; Signal: 60 VDC.
- 耐电压 Dielectric withstanding voltage:
 - 与插头对插后, Pin与铁壳之间 After mating, between pin and metal shell :5000 VDC.
 - 与插头对插后, Pin与HVIL之间 After mating, between pin and HVIL :5000 VDC.
 - 与插头对插后, HVIL与铁壳之间 After mating, between HVIL and metal shell :500 VDC.
 - 与插头对插前, 两个HVIL端子之间耐压 Before mating, between two HVIL terminals :500 VDC.
- 防护等级 Protection class: IP67 & IP2X.
- 电磁屏蔽 Shielding.
- 机械寿命 Mating cycle: 100 Min. Δ
- 带自动二次锁扣 Automatic secondary lock.
- 铜排推荐安装扭矩 Recommended Fasten Torque on Lug:
 - M6 : 3.6~4.4 Nm
 - M8 : 7.2~8.8 Nm
 - M10: 17.1~20.9 Nm
- 推荐法兰盘螺丝安装扭矩 Recommended Screw Assembly Torque on Flange : 6.2~7.6 Nm

面板安装孔尺寸
Panel Size

Amphenol TPI
2020-11-24
REGISTERED COPY

订购信息 Ordering Information

PL082 X - 30 1 - 20 M 8			
键位及颜色 Key "X" Key "Y" Key	高压互锁 HVIL 0, 不带互锁 No HVIL 1, 带互锁 With HVIL	螺纹大小 Thread Size M6 M8 M10	

Standard Part List (With HVIL)

P/N	Model NO.	Mating Plug Model NO.	C
AC-HA001507	PL082X-301-20M8	PL182X-301-XX, PL282X-301-XX	15.0
AC-HA001508	PL082Y-301-20M8	PL182Y-301-XX, PL282Y-301-XX	15.0
AC-HA002523	PL082X-301-20M6	PL182X-301-XX, PL282X-301-XX	12.0
AC-HA002524	PL082Y-301-20M6	PL182Y-301-XX, PL282Y-301-XX	12.0
AC-HA002525	PL082X-301-20M10	PL182X-301-XX, PL282X-301-XX	15.0
AC-HA002526	PL082Y-301-20M10	PL182Y-301-XX, PL282Y-301-XX	15.0

Standard Part List (Without HVIL)

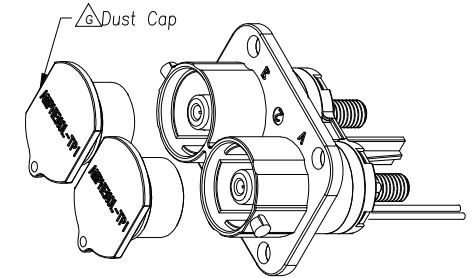
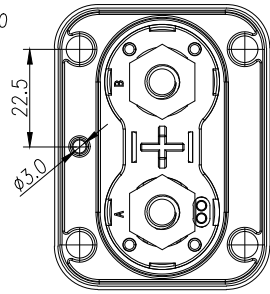
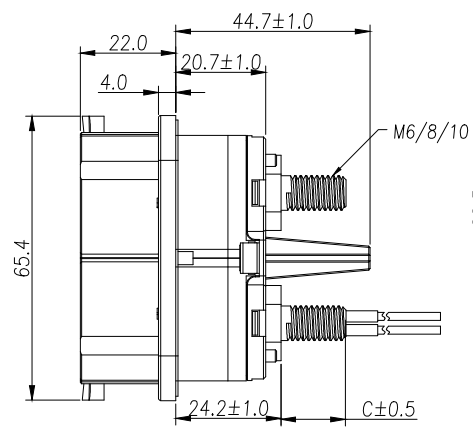
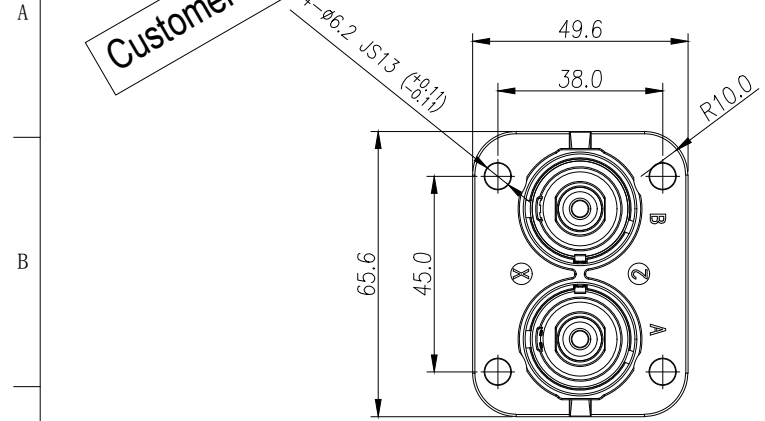
P/N	Model NO.	Mating Plug Model NO.	A
AC-HA000947	PL082X-300-20M8	PL182X-300-XX, PL282X-300-XX	15.0
AC-HA000948	PL082Y-300-20M8	PL182Y-300-XX, PL282Y-300-XX	15.0
AC-HA002527	PL082X-300-20M6	PL182X-300-XX, PL282X-300-XX	12.0
AC-HA002528	PL082Y-300-20M6	PL182Y-300-XX, PL282Y-300-XX	12.0
AC-HA002529	PL082X-300-20M10	PL182X-300-XX, PL282X-300-XX	15.0
AC-HA002530	PL082Y-300-20M10	PL182Y-300-XX, PL282Y-300-XX	15.0

AMPHENOL TPI		Amphenol Technical Products International Asia.			
第三角投影 THIRD ANGLE PROJECTION	页码 SHEET	幅面 SIZE	版次 REV.	比例 SCALE	PART NAME: PwrLok 10mm 2POS Rcpt Conn
1 of 1	A3	L			DWG NO: PL082-300-20
签名 SIGNATURE	日期 DATE	UNLESS OTHERWISE SPECIFIED			CUST PART #:
制图 DRAWN	Steven	1) All dimensions are in metric (mm). 2) Tolerances are as follows:			N/A
审核 CHECKED	Steven	0 PL DEC ±1.00 1 PL DEC ±0.50 2 PL DEC ±0.20			CUST REV. -
批准 APPROVAL	Steven	Angles ±1°			

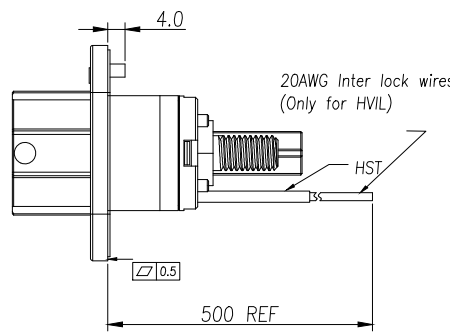
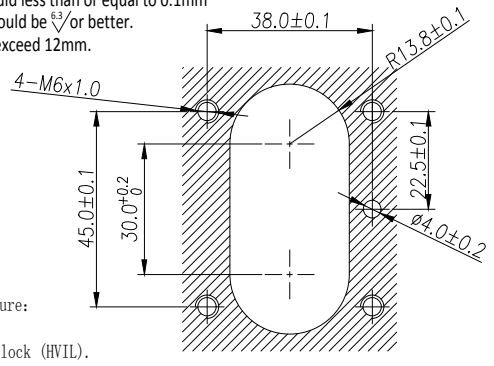
THIS DRAWING IS SUPPLIED FOR INFORMATION ONLY. DESIGN FEATURES, SPECIFICATIONS AND PERFORMANCE DATA SHOWN HEREON ARE THE PROPERTY OF THE AMPHENOL CORPORATION. NO RIGHTS OF REPRODUCTION ARE IMPLIED. ALL DIMENSIONS ARE SUBJECT TO NORMAL MANUFACTURING VARIATIONS.

Customer Drawing

REV. ZONE			REVISIONS			
REV	ZONE	ECO	DESCRIPTION	DATE	BY	APPR
A	---	---	INITIAL RELEASE	05/21/14	RW	EC
G	---	---	Add Dust Cap & Change HVIL Wire, Update Spec.	03/30/16	RW	GX
H	---	---	Add Geometric Tolerance of Flange & Panel	10/21/16	RW	PL
I	---	---	Change Shell and Gasket	05/09/17	Sam	Julie
J	---	---	Add Model	03/28/19	Steven	JL
K	---	---	Update Spec.	12/02/19	Fred	JL
L	---	---	Update written errors	11/24/20	Steven	JL



- Notices:
- All non-dimensioned surfaces according to 3D-model & $\nabla 3$
 - Planeness of panel surface should less than or equal to 0.1mm
 - Roughness of panel surface should be $R\sqrt{3}$ or better.
 - Thickness of panel should not exceed 12mm.



Standard Part List (With HVIL)

P/N	Model NO.	Mating Plug Model NO.	C
AC-HA001507	PL082X-301-20M8	PL182X-301-XX, PL282X-301-XX	15.0
AC-HA001508	PL082Y-301-20M8	PL182Y-301-XX, PL282Y-301-XX	15.0
AC-HA002523	PL082X-301-20M6	PL182X-301-XX, PL282X-301-XX	12.0
AC-HA002524	PL082Y-301-20M6	PL182Y-301-XX, PL282Y-301-XX	12.0
AC-HA002525	PL082X-301-20M10	PL182X-301-XX, PL282X-301-XX	15.0
AC-HA002526	PL082Y-301-20M10	PL182Y-301-XX, PL282Y-301-XX	15.0

Standard Part List (Without HVIL)

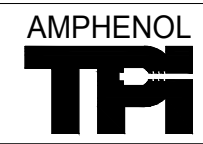
P/N	Model NO.	Mating Plug Model NO.	A
AC-HA000947	PL082X-300-20M8	PL182X-300-XX, PL282X-300-XX	15.0
AC-HA000948	PL082Y-300-20M8	PL182Y-300-XX, PL282Y-300-XX	15.0
AC-HA002527	PL082X-300-20M6	PL182X-300-XX, PL282X-300-XX	12.0
AC-HA002528	PL082Y-300-20M6	PL182Y-300-XX, PL282Y-300-XX	12.0
AC-HA002529	PL082X-300-20M10	PL182X-300-XX, PL282X-300-XX	15.0
AC-HA002530	PL082Y-300-20M10	PL182Y-300-XX, PL282Y-300-XX	15.0

- 规格参数 (Spec.):
- 工作温度 Operating temperature: $-40^{\circ}\text{C} \sim +125^{\circ}\text{C}$.
 - 带高压互锁 Electrical interlock (HVIL).
 - 额定电流 Current rating:
Power: 300A; HVIL: 5A.
 - 额定电压 Operating voltage:
Power: 1000 VDC; Signal: 60 VDC.
 - 耐电压 Dielectric withstanding voltage:
 - 与插头对插后, Pin与铁壳之间
After mating, between pin and metal shell :5000 VDC.
 - 与插头对插后, Pin与HVIL之间
After mating, between pin and HVIL :5000 VDC.
 - 与插头对插后, HVIL与铁壳之间
After mating, between HVIL and metal shell :500 VDC.
 - 与插头对插前, 两个HVIL端子之间耐压
Before mating, between two HVIL terminals :500 VDC.
 - 防护等级 Protection class: IP67 & IP2X.
 - 电磁屏蔽 Shielding.
 - 机械寿命 Mating cycle: 100 Min. ∇
 - 带自动二次锁扣 Automatic secondary lock.
 - 铜排推荐安装扭矩 Recommended Fasten Torque on Lug:
M6 : 3.6~4.4 Nm
M8 : 7.2~8.8 Nm
M10: 17.1~20.9 Nm
 - 推荐法兰盘螺丝安装扭矩 Recommended Screw Assembly Torque on Flange : 6.2~7.6 Nm

面板安装孔尺寸
Panel Size

订购信息 Ordering Information

PL082 X	- 30	1	- 20	M	8
键位及颜色 Key	高压互锁 HVIL	螺钉大小 Thread Size			
"X" Key	0, 不带互锁 No HVIL	M6			
"Y" Key	1, 带互锁 With HVIL	M8			
		M10			



Amphenol Technical Products International Asia.

第三角投影 THIRD ANGLE PROJECTION	页面 SHEET	幅面 SIZE	版次 REV.	比例 SCALE	PART NAME:
∇	1 OF 1	A3	L		PwrLok 10mm 2POS Rcpt Conn
签名 SIGNATURE	日期 DATE	UNLESS OTHERWISE SPECIFIED			DWG NO:
制图 DRAWN	Steven	1) All dimensions are in metric(mm). 2) Tolerances are as follows: 0 PL DEC ± 1.00 1 PL DEC ± 0.50 2 PL DEC ± 0.20			PL082-300-20
审核 CHECKED		Angles $\pm 1^{\circ}$			CUST PART #:
批准 APPROVAL					N/A
					CUST REV.
					-