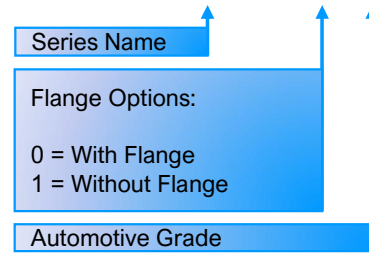


**SPECIFICATIONS:**

- Insulation Resistance:
- 100MΩ min. at 500V DC (unmated)
  - 10MΩ min. at 150V DC (mated)
- Withstanding Voltage:
- 500V AC for 1min (unmated)
  - 300V AC for 1min (mated)
- Voltage Rating: 40V AC  
 Current Rating: 0.5A  
 Contact Resistance: 100mΩ max. at 20mV max.  
 Operating Temp.: -40°C ~ +85°C  
 Mating Cycle: 10 times

**PART NUMBER:**

**PKS019-500X-0VE**



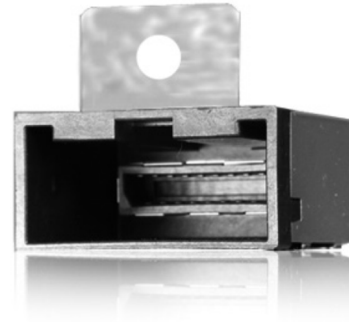
**AUTOMOTIVE COMPLIANT**

**MATERIALS AND FINISH:**

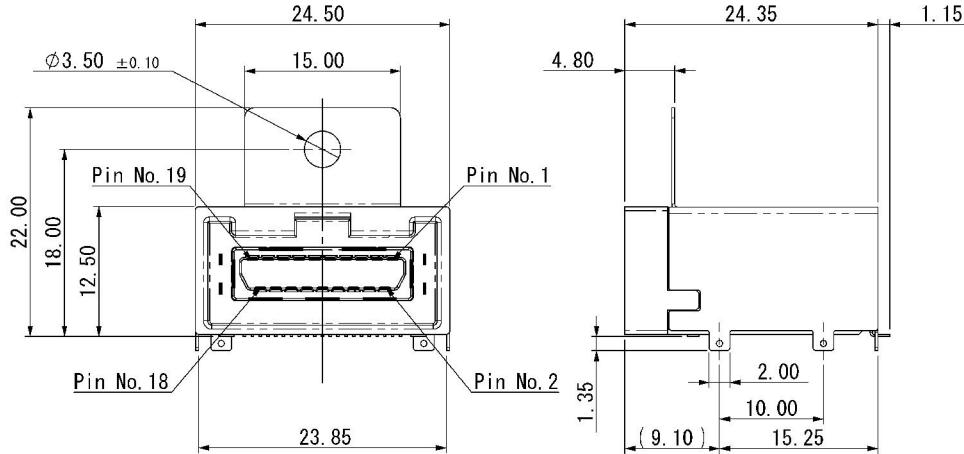
- Contacts: Cu Alloy
- Metal Shell & Flange: Cu Alloy
- Insulator Body: Heat Resistance Plastic

**FEATURES:**

- Automotive Grade Type E HDMI
- HDMI ver. 1.4b compliant
- Optional Flange for additional mount security
- NO RESTRICTIN on circuitry layout pattern area
- PKH019 HDMI Cable Assembly Available
- R/A SMT Standard Mount
- RoHS and REACH compliant



**OUTLINE DIMENSIONS (mm, WITH FLANGE):**



**RECOMMENDED PC BOARD LAYOUT (mm):**

