

SUMMARY

Wires

Low voltage	10
Fluidic	2

Series	3B
Termination type	Female solder
IP rating	50
AWG wire size	30.00 - 22.00
Cable Ø	10.80 - 11.90 mm
Status	Active
Matching parts	FGG.3B.025.CLAD12



Image is for illustrative purpose only

Download

- [Request a quote](#)
- [Catalog](#)

TECHNICAL DETAILS

Mechanics

Shell Style/Model	PK*: Fixed receptacle, nut fixing, cable collet
Keying	1 key (alpha=0, plug: male contacts, receptacle: female contacts)
Housing Material	Brass (chrome plated [SAE AMS 2460]) shell and collet nut, nickel plated [SAE AMS QQ N 290] brass latch sleeve and mid pieces
Weight	54.21 g

Performance

Configuration	3B.025 : 2 Fluidic, 10 Low Voltage
Insulator	L: PEEK (UL 94 / V-0/1.5)
Rated Current	5 Amps

Specifications

Contact Type: Fluidic/Pneumatic
Vtest: 600 V (AC), 850 V (DC)
Contact Inner Dia.: 1.3 mm (0.051in)
Tube Inner Dia.: 2.2 mm (0.086in)

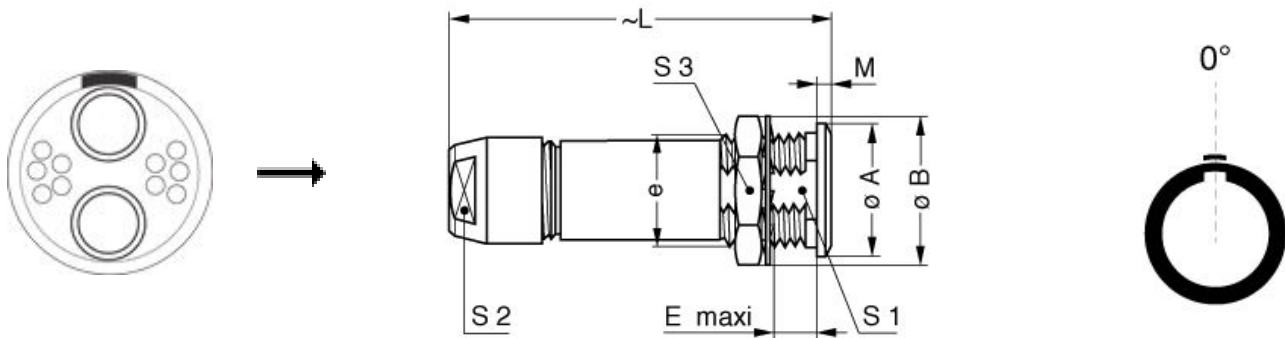
Others

Endurance (Shell): 5000

LEMO products and services are provided "as is". LEMO makes no warranties or representations with regard to LEMO product & services or use of them, express, implied or statutory, including for accuracy, completeness, or security. The user is fully responsible for his products and applications using LEMO components.

Temp (min / max): -55° C / +250° C
 Humidity (max): <=95% [at 60 deg C /140 F]
 Vibration: 15 g [10 Hz - 2000 Hz]
 Shock Resistance: 100 g [6 ms]
 Climatical Category: 50/175/21
 Shielding (min): 75 dB (10 MHz)
 Shielding (min): 40 dB (1 GHz)
 Salt Spray Corrosion: >1000 hr

DRAWINGS



Dimensions

	A	B	E	L	M	S1	S2	S3	e
mm.	22	25	11.5	56	2	16.5	14	22	M18x1.0
in.	0,87	0,98	0,45	2,20	0,08	0,65	0,55	0,87	

RECOMMENDED BY LEMO

Tools

Spanner wrench: [DCD.3B.ZZZ.PA140](#)

LEMO products and services are provided "as is". LEMO makes no warranties or representations with regard to LEMO product & services or use of them, express, implied or statutory, including for accuracy, completeness, or security. The user is fully responsible for his products and applications using LEMO components.

LEMO products and services are provided "as is". LEMO makes no warranties or representations with regard to LEMO product & services or use of them, express, implied or statutory, including for accuracy, completeness, or security. The user is fully responsible for his products and applications using LEMO components.