

PIT-1503W

15.6" Patient Infotainment Terminal with Intel® Atom™ D510 Processors



Features

- Specialized Design focuses on Healthcare Application
- Slim Design achieves the balance between Fanless & Atom Dual-Core Performance
- Isolated I/O as COM & Lan
- Easy cleaning Touch Panel complies with IP65 protection
- VESA 75/100 mm Standard Mounting Holes
- Programmable Touch Hotkeys
- Rich Options - Handset/ RFID/ Smart card reader/ Barcode Scanner/ MSR
- ITE & Medical Dual Certificate (EN-60950 & EN-60601-1)
- Optional Capacitive Multi-touch



Introduction

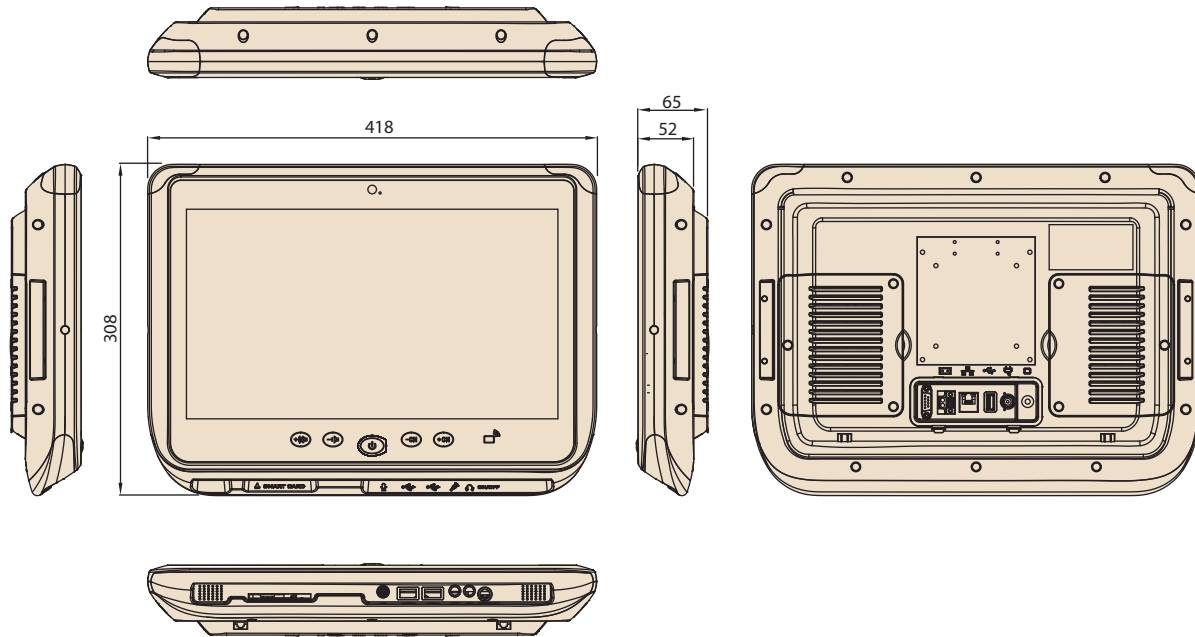
PIT-1503W which equipped a 15.6" multi-function touchscreen, WiFi, RFID, handset, smart card reader and 2 megapixel camera is a member of PIT family of Advantech. PIT-1503W can provide patients with various entertainment programs such as TV, movies or computer games because of Microsoft Windows and Intel Atom Dual Core processor. Patients can easily communicate with families by internet because 2 megapixel camera, WiFi and Ethernet (RJ-45) connectivity are standard functions of PIT-1503W. Identification recognition for both hospital staff and patients is possible with the RFID and smart card reader.

Specifications

Hardware	CPU	Intel PineView (D510) 1.6 GHz
	Front Side Bus	Supports FSB 667 MHz
	System Chipset	Intel D510 + ICH8M
	Memory	up to 2G (Optional)
	Storage	CF or SATA HDD interface (Optional)
	Camera	2MP CCD Module (Optional)
	Bus Expansion	Mini-PCIe x 1
Display	Size	15.6" W TFT
	Max Resolution	1366 x 768
	Luminance	300 cd/m ²
	Backlight MTBF	50,000 hrs
Touchscreen	Type	Analog Resistive (Optional Capacitive Multi-touch)
	Light Transmission	80%
I/O	Durability	30millions
	USB Port	3 (Down x 2, Rear x 1)
	Smart Card Reader	1
	RFID	1 (Optional)
	Line out	1
	Microphone in	1
Audio	COM Port (Isolated)	1
	Speaker	2 W x 2
Network	Microphone	1
	LAN	10/100/1000 RJ45 x 1
Emergency Alarm	WLAN	802.11 b/g/n (Optional)
	Hotkey	1
Bus Expansion	LED Light Indicator	x 2
	mini-PCI Slot	1 for WLAN
Mechanical	Operating System	Win 7, XP/ Linux Fedora, Ubuntu (Optional)
	Mounting	VESA 75 x 75 mm
	Dimensions (W x H x D)	416 X 308 X 65 mm(16.38" x 12.13" x 2.56")
Options	Weight	4.8 kg
	MSR	Optional
	Barcode Scanner	Optional (1D/2D)
	TV Tuner	Optional (DVB/T/ATSC)
	Handset	Optional
	Remote Control	Optional (9 Keys)
	Swing Arm	Optional
Multi-Touch (PCT)	Optional (No Front Hot Key)	
Power Supply	AC/DC Adapter	
	Input Voltage	100 – 240 V _{ac} , 1.1 – 0.45 A @ 47– 63 Hz
Environment	Output Voltage	IT: 19 V _{dc} , 3.95 A MAX; Medical: 16 – 21 V _{dc} (SET UP 19V), 2.63 A MAX
	Operating Temperature	0 – 40° C
	IP Rating	Front Panel :IP65 ; IPX1 All around
	Vibration	1 G
	Shock	50 G
Certifications		CE, FCC, CCC, CB, ITE UL, EN 60950 & EN 60601-1 approved

Dimensions

Unit: mm



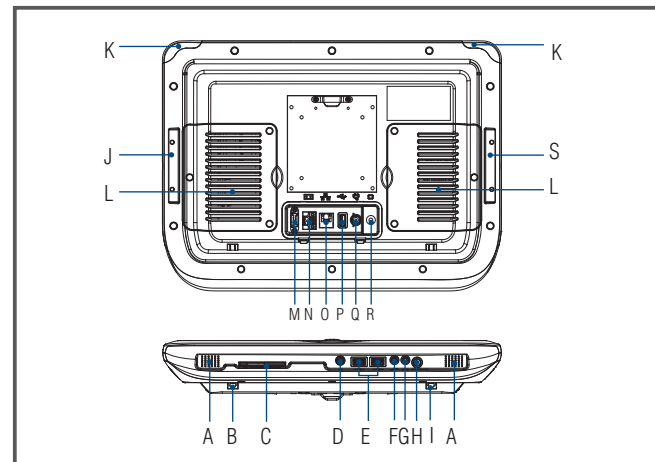
Ordering Information

Part No.	Description
PIT-1503W-ASTE	ATOM D510 CPU (Dual Core), Smart Card Reader, Lan, COM port
PIT-1503W-ASTCE	PIT-1503W-ASTE (D510) + 1G RAM, 160 HD, WiFi, RFID, 2M Camera, XPE, ITE Adapter
PIT-1503W-ASTOE	PIT-1503W-ASTE (D510) + 1G RAM, 160 HD, WiFi, RFID, 2M Camera, XPE, Medical Adapter

Accessories

Part Number	Description
PIT-1501W-HSKE	PIT-1501/2 W Handset Kit
PIT-1501W-RCKE	PIT-1501/2 W Remote Control Kit (9 Keys)
PIT-1502W-VFKE	PIT-1501/2 W TV Tuner (EU: DVBT+Analog, Hybrid)
PIT-1502W-VUKE	PIT-1501/2 W TV Tuner (US: ATSC+Analog, Hybrid)
PIT-1501W-MSR0E	PIT-1501/2 W MSR(Magnetic Card Reader)
PIT-ARM-WMOE	PIT Series Swing Arm (Wall Mount, 1~6 KG)
PIT-ARM-WM1E	PIT Series Swing Arm (Wall Mount, 6~12 KG)

Fully- Integrated I/O



- | | | |
|---------------------------|------------------------|-------------------|
| A Speaker / Barcode | G Mic-in | N 2-Pin connector |
| B RJ-12 Handset Connector | H Power Switch | O RJ-45 LAN port |
| C Smart Card Reader | I RJ-12 Remote Control | P USB 2.0 |
| D MIC | J Remote Control Dock | Q DC-In |
| E USB 2.0 x 2 | K Led Indicator | R Reserved port |
| F Line Out | L Access Door | S Handset Dock |
| | M COM port(isolated) | |

