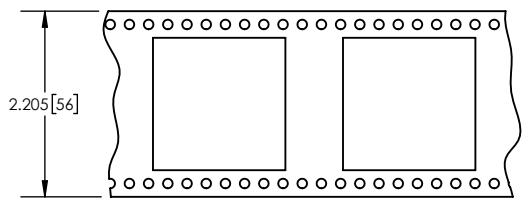
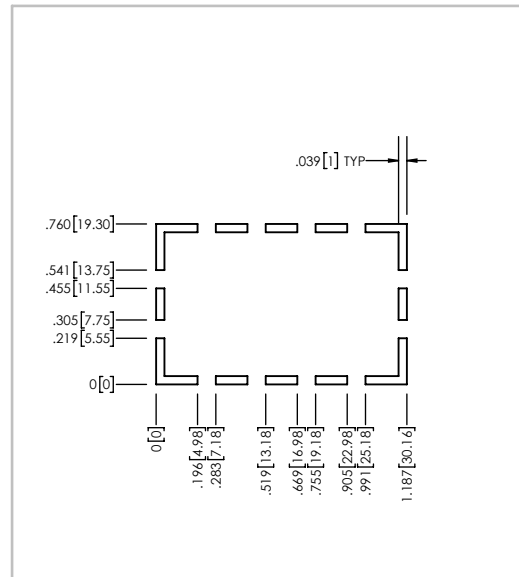
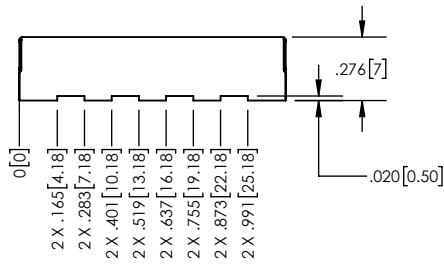
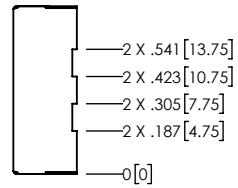
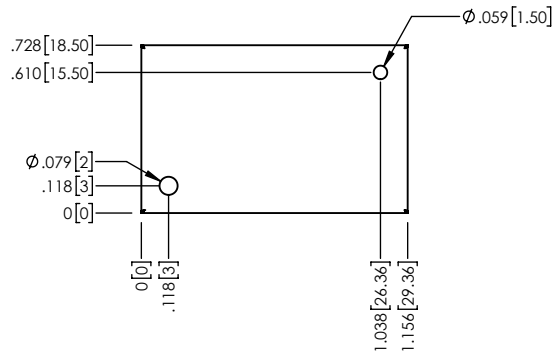
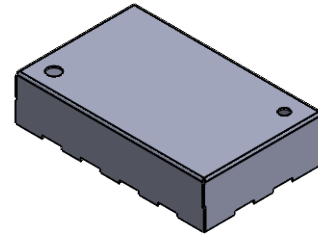


NOTES:

1. MATERIAL: 0.008" TIN PLATED STEEL PER ASTM A623/A624
2. PARTS PER REEL: 200



TAPE AND REEL

PCB FOOTPRINT

**PROPRIETARY NOTICE:** THESE DRAWINGS, LISTS OR SPECIFICATIONS ARE THE CONFIDENTIAL INFORMATION AND/OR TRADE SECRETS OF 3G SHIELDING SPECIALTIES IP., AND ISSUED IN STRICT CONFIDENCE. EXCEPT AS AUTHORIZED BY 3G SHIELDING SPECIALTIES IN WRITING, THESE DRAWINGS, LISTS OR SPECIFICATIONS SHALL NOT BE REPRODUCED, TRANSMITTED, USED FOR THE DESIGN, MANUFACTURE OR SALE OF EQUIPMENT OR USED FOR ANY OTHER PURPOSE OTHER THAN EVALUATION.

UNLESS OTHERWISE SPECIFIED  
U/M TOLERANCE ±0.005  
INCHES

ROHS  
COMPLIANCE  
2011/65/EU

DATE 16-01-26



PART NUMBER	REV.
<b>PIC-S-109</b>	<b>0</b>
DESCRIPTION	SHIELD CAN
SCALE	SHEET 1 OF 1
1.2:1	