

**Industrial Grade low skew, 1-to-4 LVCMOS/LVTTL Fanout Buffer**

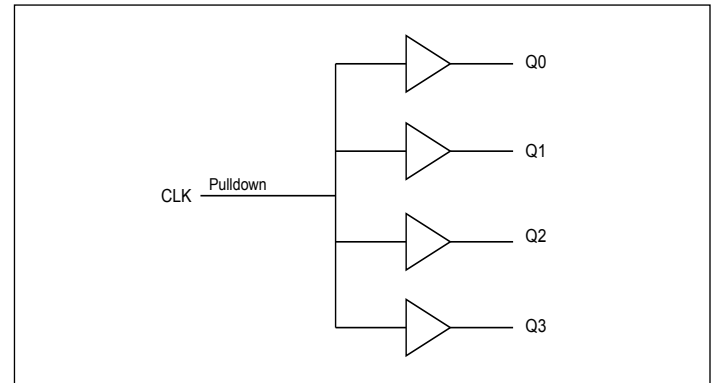
**Features**

- Four LVCMOS / LVTTL Outputs
- LVCMOS / LVTTL Clock Input
- CLK Accepts LVCMOS, LVTTL Input Levels
- Maximum Output Frequency: 200MHz
- Additive Phase Jitter, RMS: 0.173ps (Typical) @ 3.3V
- Output Skew: 45ps (Maximum) @ 3.3V
- Full 3.3V, 2.5V, 1.8V Operation Mode or 3.3V/2.5V/1.8V Core with 2.5V, 1.8V, 1.5V Supply Modes
- Totally Lead-Free & Fully RoHS Compliant (Notes 1 & 2)
- Halogen and Antimony Free. "Green" Device (Note 3)
- For automotive applications requiring specific change control (i.e. parts qualified to AEC-Q100/101/200, PPAP capable, and manufactured in IATF 16949 certified facilities), please [contact us](mailto:contact@diodes.com) or your local Diodes representative.  
<https://www.diodes.com/quality/product-definitions/>
- Packaging (Pb-free & Green):
  - Small 8-pin SOIC(W) package saves board space

**Description**

The PI6C49CB04BJ is an industrial grade low-skew, 1-to-4 fanout buffer. Guaranteed output and part-to-part skew characteristics make the PI6C49CB04BJ ideal for clock distribution applications that demand well-defined performance and repeatability.

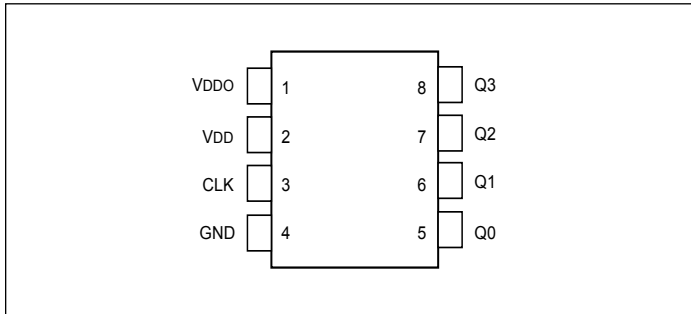
**Block Diagram**



**Notes:**

1. No purposely added lead. Fully EU Directive 2002/95/EC (RoHS), 2011/65/EU (RoHS 2) & 2015/863/EU (RoHS 3) compliant.
2. See <https://www.diodes.com/quality/lead-free/> for more information about Diodes Incorporated's definitions of Halogen- and Antimony-free, "Green" and Lead-free.
3. Halogen- and Antimony-free "Green" products are defined as those which contain <900ppm bromine, <900ppm chlorine (<1500ppm total Br + Cl) and <1000ppm antimony compounds.

## Pin Configuration



## Pin Descriptions

| Pin# | Pin Name         | Pin Type |          | Pin Description                                       |
|------|------------------|----------|----------|---|
| 1    | V <sub>DDO</sub> | Power    | —        | Output supply pin                                     |
| 2    | V <sub>DD</sub>  | Power    | —        | Positive supply pin                                   |
| 3    | CLK              | Input    | Pulldown | LVC MOS / LVTTL clock input                           |
| 4    | GND              | Power    | —        | Power supply ground                                   |
| 5    | Q0               | Output   | —        | Single clock output. LVC MOS / LVTTL interface levels |
| 6    | Q1               | Output   | —        | Single clock output. LVC MOS / LVTTL interface levels |
| 7    | Q2               | Output   | —        | Single clock output. LVC MOS / LVTTL interface levels |
| 8    | Q3               | Output   | —        | Single clock output. LVC MOS / LVTTL interface levels |

Note: *Pulldown* refers to internal input resistors. See Table 2, *Pin Characteristics*, for typical values.

## Pin Characteristics

| Symbol                | Parameter                                  | Test Conditions                             | Min. | Typ. | Max. | Units |
|-----------------------|--|---|------|------|------|-------|
| C <sub>IN</sub>       | Input Capacitance                          | —   | —    | 4    | —    | pF    |
| C <sub>PD</sub>       | Power Dissipation Capacitance (per Output) | V <sub>DD</sub> , V <sub>DDO</sub> = 3.465V | —    | —    | 15   | pF    |
| R <sub>PULLDOWN</sub> | Input Pulldown Resistor                    | —   | —    | 51   | —    | kΩ    |
| R <sub>OUT</sub>      | Output Impedance                           | V <sub>DD</sub> , V <sub>DDO</sub> > 2.5V   | 5    | 7    | 12   | Ω     |

## Maximum Ratings

(Above which useful life may be impaired. For user guidelines, not tested.)

|                                      |                           |
|--------------------------------------|---------------------------|
| Supply Voltage, $V_{DD}$ .....       | 4.6V                      |
| Inputs, $V_I$ .....                  | -0.5V to $V_{DD} + 0.5V$  |
| Output, $V_O$ .....                  | -0.5V to $V_{DDO} + 0.5V$ |
| Storage Temperature, $T_{STG}$ ..... | -65°C to 150°C            |
| ESD Protection (HBM).....            | 2000V                     |
| Junction Temperature .....           | 125 °C max                |

Note:

Stresses beyond those listed under Absolute Maximum Ratings may cause permanent damage to the device. These ratings are stress specifications only. Functional operation of product at these conditions or any conditions beyond those listed in the DC Characteristics or AC Characteristics is not implied. Exposure to absolute maximum rating conditions for extended periods may affect product reliability.

## Recommended Operation Conditions

| Parameter   | Min.   | Typ. | Max. | Units |
|---|--------|------|------|-------|
| Ambient Operating Temperature                     | -40    | —    | +105 | °C    |
| Power Supply Voltage (Measured in Respect to GND) | +1.425 | —    | +3.6 | V     |

## Power Supply DC Characteristics

| Symbol             | Parameter                   | Conditions     | Min.  | Typ. | Max.  | Units |
|--------------------|-----------------------------|----------------|-------|------|-------|-------|
| VDD                | Core Supply Voltage         | 3.3V Operation | 3.0   | 3.3  | 3.6   | V     |
|                    |                             | 2.5V Operation | 2.375 | 2.5  | 2.625 |       |
|                    |                             | 1.8V Operation | 1.6   | 1.8  | 2.0   |       |
| VDDO               | Output Power Supply Voltage | 3.3V Supply    | 3.0   | 3.3  | 3.6   | V     |
|                    |                             | 2.5V Supply    | 2.375 | 2.5  | 2.625 |       |
|                    |                             | 1.8V Supply    | 1.6   | 1.8  | 2.0   |       |
|                    |                             | 1.5V Supply    | 1.425 | 1.5  | 1.575 |       |
| $I_{DD} + I_{DDO}$ | Total Power Supply Current  | 5pF, 100MHz    | —     | —    | 38    | mA    |

**DC Electrical Characteristics**
**VDD = 1.8V, VDDO = 1.5 V ±5%**, Ambient temperature -40°C to +105°C, unless stated otherwise

| Symbol          | Parameter                | Conditions             | Min.  | Typ. | Max.  | Units |
|-----------------|--------------------------|------------------------|-------|------|-------|-------|
| VDD             | Operating Voltage        | —                      | 1.7   | 1.8  | 1.89  | V     |
| VDDO            | Output Operating Voltage | —                      | 1.425 | 1.5  | 1.575 | V     |
| V <sub>IH</sub> | Input High Voltage       | CLK <sup>(1)</sup>     | 0.9   | —    | 3.6   | V     |
| V <sub>IL</sub> | Input Low Voltage        | CLK <sup>(1)</sup>     | —     | —    | 0.575 | V     |
| I <sub>IH</sub> | Input High Current       | CLK <sup>(1)</sup>     | —     | —    | 40    | μA    |
| I <sub>IL</sub> | Input Low Current        | CLK <sup>(1)</sup>     | —     | —    | 1     | μA    |
| V <sub>OH</sub> | Output High Voltage      | I <sub>OH</sub> = -6mA | 0.95  | —    | —     | V     |
| V <sub>OL</sub> | Output Low Voltage       | I <sub>OL</sub> = 6mA  | —     | —    | 0.45  | V     |
| IDD             | Operating Supply Current | 5pF, 160MHz            | —     | 15   | 21    | mA    |
|                 |                          | 5pF, 100MHz            | —     | 13   | 17    | mA    |
|                 |                          | 5pF, 50MHz             | —     | 7    | 9     | mA    |
|                 |                          | 5pF, 25MHz             | —     | 4    | 5.5   | mA    |
| Z <sub>O</sub>  | Nominal Output Impedance | —                      | —     | 20   | —     | Ω     |
| C <sub>IN</sub> | Input Capacitance        | CLK                    | —     | 5    | —     | pF    |
| I <sub>OS</sub> | Short-Circuit Current    | —                      | —     | ±12  | —     | mA    |

Notes: 1. Nominal switching threshold is VDD/2.

**VDD, VDDO=1.8 V ±5%**, Ambient temperature -40°C to +105°C, unless stated otherwise

| Symbol          | Parameter                | Conditions             | Min. | Typ. | Max. | Units |
|-----------------|--------------------------|------------------------|------|------|------|-------|
| VDD, VDDO       | Operating Voltage        | —                      | 1.7  | 1.8  | 1.89 | V     |
| V <sub>IH</sub> | Input High Voltage       | CLK <sup>(1)</sup>     | 1.1  | —    | 3.6  | V     |
| V <sub>IL</sub> | Input Low Voltage        | CLK <sup>(1)</sup>     | —    | —    | 0.6  | V     |
| I <sub>IH</sub> | Input High Current       | CLK <sup>(1)</sup>     | —    | —    | 50   | μA    |
| I <sub>IL</sub> | Input Low Current        | CLK <sup>(1)</sup>     | —    | —    | 1    | μA    |
| V <sub>OH</sub> | Output High Voltage      | I <sub>OH</sub> = -8mA | 1.4  | —    | —    | V     |
| V <sub>OL</sub> | Output Low Voltage       | I <sub>OL</sub> = 8mA  | —    | —    | 0.4  | V     |
| IDD             | Operating Supply Current | 5pF, 160MHz            | —    | 22   | 28   | mA    |
|                 |                          | 5pF, 100MHz            | —    | 17   | 21   | mA    |
|                 |                          | 5pF, 50MHz             | —    | 9    | 12   | mA    |
|                 |                          | 5pF, 25MHz             | —    | 5    | 7    | mA    |
| Z <sub>O</sub>  | Nominal Output Impedance | —                      | —    | 20   | —    | Ω     |
| C <sub>IN</sub> | Input Capacitance        | CLK                    | —    | 5    | —    | pF    |
| I <sub>OS</sub> | Short-Circuit Current    | —                      | —    | ±20  | —    | mA    |

Notes: 1. Nominal switching threshold is VDD/2.

**VDD, VDDO = 2.5 V ±5%**, Ambient temperature -40°C to +105°C, unless stated otherwise

| Symbol          | Parameter                | Conditions             | Min.  | Typ. | Max.  | Units |
|-----------------|--------------------------|------------------------|-------|------|-------|-------|
| VDD, VDDO       | Operating Voltage        | —                      | 2.375 | 2.5  | 2.625 | V     |
| V <sub>IH</sub> | Input High Voltage       | CLK <sup>(1)</sup>     | 1.7   | —    | 3.6   | V     |
| V <sub>IL</sub> | Input Low Voltage        | CLK <sup>(1)</sup>     | —     | —    | 0.7   | V     |
| I <sub>IH</sub> | Input High Current       | CLK <sup>(1)</sup>     | —     | —    | 60    | μA    |
| I <sub>IL</sub> | Input Low Current        | CLK <sup>(1)</sup>     | —     | —    | 1     | μA    |
| V <sub>OH</sub> | Output High Voltage      | I <sub>OH</sub> = -8mA | 2     | —    | —     | V     |
| V <sub>OL</sub> | Output Low Voltage       | I <sub>OL</sub> = 8mA  | —     | —    | 0.4   | V     |
| IDD             | Operating Supply Current | 5pF, 100MHz            | —     | 24   | 30    | mA    |
|                 |                          | 5pF, 50MHz             | —     | 12   | 15    | mA    |
|                 |                          | 5pF, 25MHz             | —     | 7    | 9     | mA    |
| Z <sub>O</sub>  | Nominal Output Impedance | —                      | —     | 20   | —     | Ω     |
| C <sub>IN</sub> | Input Capacitance        | CLK                    | —     | 5    | —     | pF    |
| I <sub>OS</sub> | Short-Circuit Current    | —                      | —     | ±50  | —     | mA    |

Notes: 1. Nominal switching threshold is VDD/2.

**VDD, VDDO = 3.3 V ±10%**, Ambient temperature -40°C to +105°C, unless stated otherwise

| Symbol          | Parameter                | Conditions              | Min. | Typ. | Max. | Units |
|-----------------|--------------------------|-------------------------|------|------|------|-------|
| VDD, VDDO       | Operating Voltage        | —                       | 3.0  | 3.3  | 3.6  | V     |
| V <sub>IH</sub> | Input High Voltage       | CLK <sup>(1)</sup>      | 2.4  | —    | 3.6  | V     |
| V <sub>IL</sub> | Input Low Voltage        | CLK <sup>(1)</sup>      | —    | —    | 0.7  | V     |
| I <sub>IH</sub> | Input High Current       | CLK <sup>(1)</sup>      | —    | —    | 85   | μA    |
| I <sub>IL</sub> | Input Low Current        | CLK <sup>(1)</sup>      | —    | —    | 1    | μA    |
| V <sub>OH</sub> | Output High Voltage      | I <sub>OH</sub> = -8 mA | 2.8  | —    | —    | V     |
| V <sub>OL</sub> | Output Low Voltage       | I <sub>OL</sub> = 8 mA  | —    | —    | 0.2  | V     |
| IDD             | Operating Supply Current | 5pF, 100MHz             | —    | 32   | 38   | mA    |
|                 |                          | 5pF, 50MHz              | —    | 16   | 19   | mA    |
|                 |                          | 5pF, 25MHz              | —    | 10   | 12   | mA    |
| Z <sub>O</sub>  | Nominal Output Impedance | —                       | —    | 20   | —    | Ω     |
| C <sub>IN</sub> | Input Capacitance        | CLK                     | —    | 5    | —    | pF    |
| I <sub>OS</sub> | Short-Circuit Current    | —                       | —    | ±50  | —    | mA    |

Notes: 1. Nominal switching threshold is VDD/2.

### AC Electrical Characteristics

VDD = 1.8V, VDDO=1.5 V ±5%, Ambient temperature -40°C to +105° C, unless stated otherwise

| Symbol           | Parameter                     | Conditions            | Min. | Typ. | Max. | Units |
|------------------|-------------------------------|-----------------------|------|------|------|-------|
| F <sub>OUT</sub> | Output Frequency              | —                     | 0    | —    | 160  | MHz   |
| t <sub>OR</sub>  | Output Rise Time              | 20% to 80%            | —    | 1.0  | 1.5  | ns    |
| t <sub>OF</sub>  | Output Fall Time              | 20% to 80%            | —    | 1.0  | 1.5  | ns    |
| T <sub>PD</sub>  | Propagation Delay (Note1)     | —                     | 2    | 3    | 5    | ns    |
| T <sub>SK</sub>  | Output-to-Output Skew (Note2) | Rising edges at VDD/2 | —    | 0    | ±250 | ps    |

VDD, VDDO =1.8 V ±5%, Ambient temperature -40°C to +105° C, unless stated otherwise

| Symbol           | Parameter                      | Conditions                   | Min. | Typ. | Max. | Units |
|------------------|--------------------------------|------------------------------|------|------|------|-------|
| F <sub>OUT</sub> | Output Frequency               | —                            | 0    | —    | 160  | MHz   |
| t <sub>OR</sub>  | Output Rise Time               | 20% to 80%                   | —    | 1.0  | 1.5  | ns    |
| t <sub>OF</sub>  | Output Fall Time               | 20% to 80%                   | —    | 1.0  | 1.5  | ns    |
| T <sub>PD</sub>  | Propagation Delay (Note 1)     | —                            | 1.3  | 2    | 4    | ns    |
| T <sub>SK</sub>  | Output-to-Output Skew (Note 2) | Rising edges at VDD/2        | —    | 0    | ±250 | ps    |
| J <sub>ADD</sub> | Additive Jitter                | @ 156.25MHz,<br>12k to 20MHz | —    | 0.1  | —    | ps    |

VDD, VDDO =2.5 V ±5%, Ambient temperature -40°C to +105°C, unless stated otherwise

| Symbol           | Parameter                            | Conditions                   | Min. | Typ. | Max. | Units |
|------------------|--------------------------------------|------------------------------|------|------|------|-------|
| F <sub>OUT</sub> | Output Frequency                     | —                            | 0    | —    | 160  | MHz   |
| t <sub>OR</sub>  | Output Rise Time                     | 20% TO 80%                   | —    | 1.0  | 1.5  | ns    |
| t <sub>OF</sub>  | Output Fall Time                     | 20% TO 80%                   | —    | 1.0  | 1.5  | ns    |
| T <sub>PD</sub>  | Propagation Delay <sup>(1)</sup>     | —                            | 0.8  | 1.5  | 3    | ns    |
| T <sub>SK</sub>  | Output-to-Output Skew <sup>(2)</sup> | Rising edges at VDD/2        | —    | 0    | ±250 | ps    |
| J <sub>ADD</sub> | Additive Jitter                      | @ 156.25MHz,<br>12k to 20MHz | —    | 0.05 | —    | ps    |

Notes:

1. With rail-to-rail input clock.
2. Between any two outputs with equal loading.

VDD, VDDO = 3.3 V ±10%, Ambient temperature -40°C to +105°C, unless stated otherwise

| Symbol           | Parameter                            | Conditions                   | Min. | Typ. | Max. | Units |
|------------------|--------------------------------------|------------------------------|------|------|------|-------|
| F <sub>OUT</sub> | Output Frequency                     | —                            | 0    | —    | 100  | MHz   |
| t <sub>OR</sub>  | Output Rise Time                     | 20% TO 80%                   | —    | 1.0  | 1.5  | ns    |
| t <sub>OF</sub>  | Output Fall Time                     | 20% TO 80%                   | —    | 1.0  | 1.5  | ns    |
| T <sub>PD</sub>  | Propagation Delay <sup>(1)</sup>     | —                            | 0.8  | 1.0  | 2.5  | ns    |
| T <sub>SK</sub>  | Output-to-Output Skew <sup>(2)</sup> | Rising edges at VDD/2        | —    | 0    | ±250 | ps    |
| J <sub>ADD</sub> | Additive Jitter                      | @ 156.25MHz,<br>12k to 20MHz | —    | 0.05 | —    | ps    |

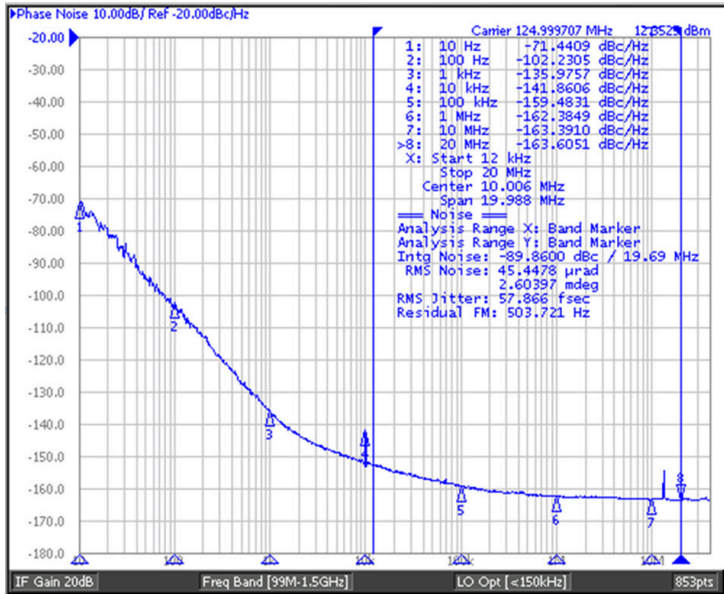
Notes:

1. With rail-to-rail input clock.
2. Between any two outputs with equal loading.

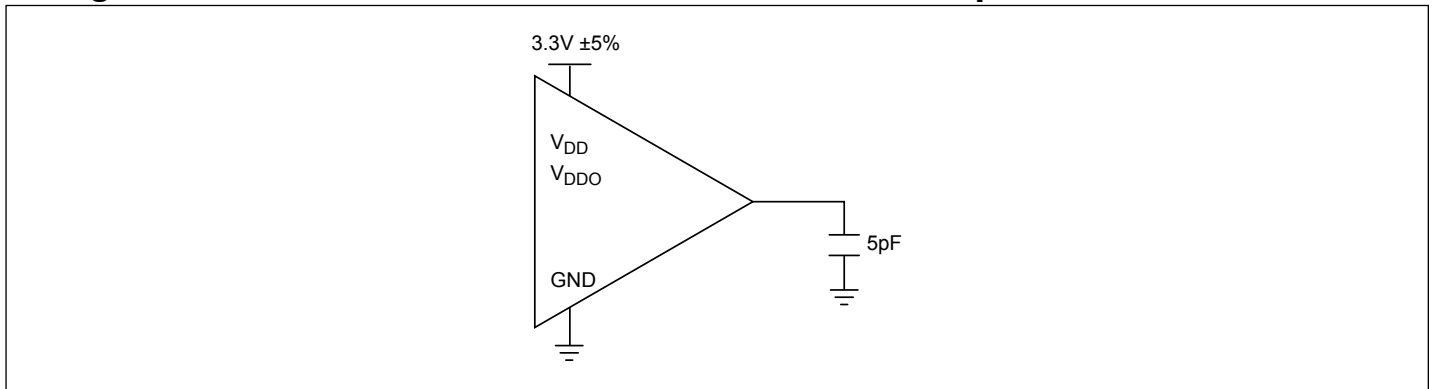
## Phase Noise and Additive Jitter

Output phase noise plot provided below.

$$\text{Additive jitter} = \sqrt{(\text{Output jitter}^2 - \text{Input jitter}^2)}$$



## Configuration Test Load Board Termination for LVCMOS Outputs



## Thermal Information

| Symbol          | Description                            | Condition |         |
|-----------------|--|-----------|---------|
| Θ <sub>JA</sub> | Junction-to-Ambient Thermal Resistance | Still air | 157°C/W |
| Θ <sub>JC</sub> | Junction-to-Case Thermal Resistance    | —         | 42°C/W  |



**PI6C49CB04BJ**

**Part Marking**

PI6C49CB  
04BJWE  
YYWWXX  
○

YY: Year

WW: Workweek

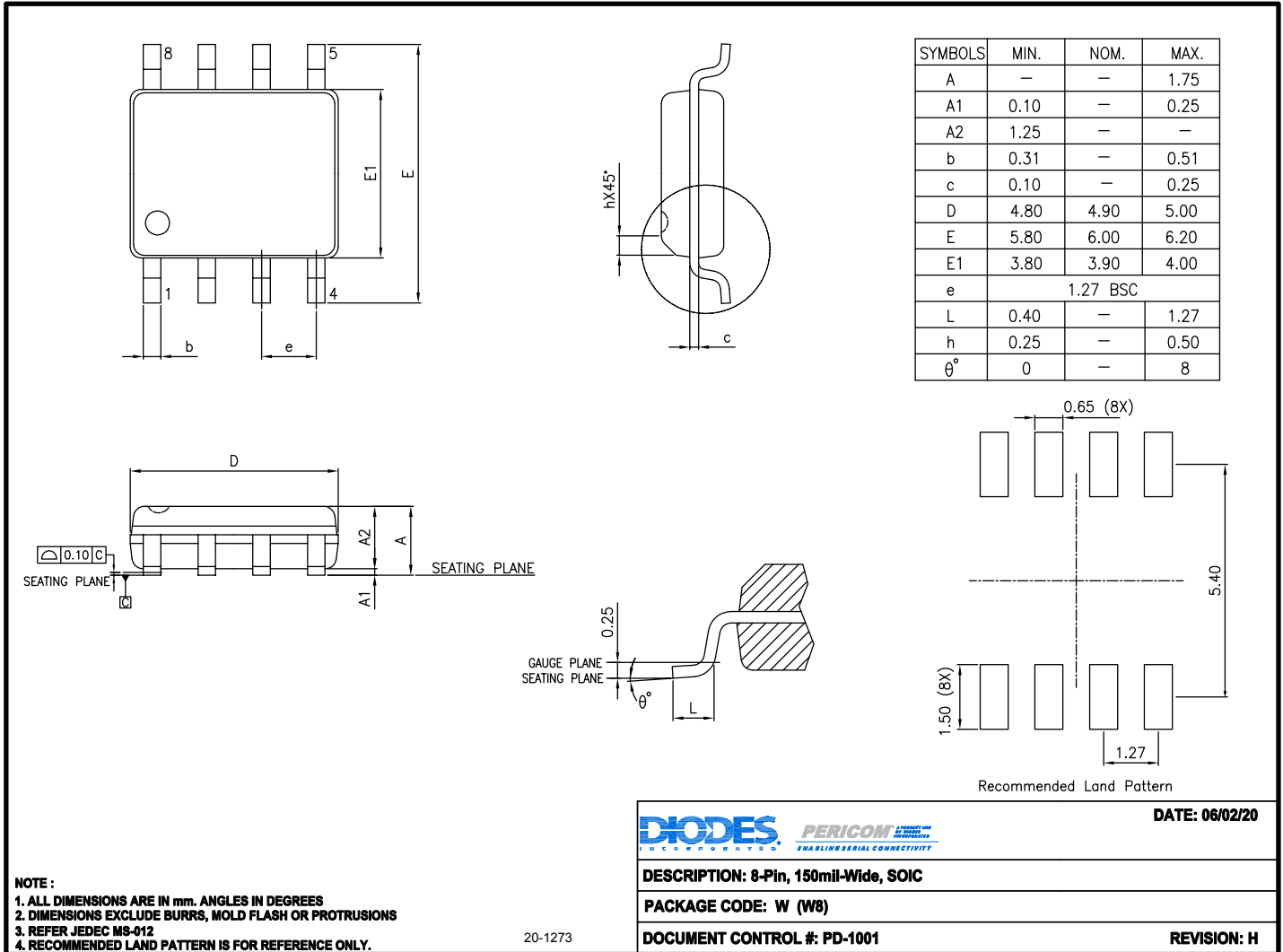
1st X: Assembly Code

2nd X: Fab Code

**PI6C49CB04BJ**

**Packaging Mechanical:**

8-SOIC (W)



For latest package information:

See <http://www.diodes.com/design/support/packaging/pericom-packaging/packaging-mechanicals-and-thermal-characteristics/>.

**Ordering Information**

| Ordering Code   | Package Code | Package Description       |
|-----------------|--------------|---------------------------|
| PI6C49CB04BJWEX | W            | 8-pin, 150mil-Wide (SOIC) |

Notes:

1. No purposely added lead. Fully EU Directive 2002/95/EC (RoHS), 2011/65/EU (RoHS 2) & 2015/863/EU (RoHS 3) compliant.
2. See <https://www.diodes.com/quality/lead-free/> for more information about Diodes Incorporated's definitions of Halogen- and Antimony-free, "Green" and Lead-free.
3. Halogens- and Antimony-free "Green" products are defined as those which contain <900ppm bromine, <900ppm chlorine (<1500ppm total Br + Cl) and <1000ppm antimony compounds.
4. J = Industrial Grade
5. E = Pb-free and Green
6. X suffix = Tape/Reel

**IMPORTANT NOTICE**

1. DIODES INCORPORATED AND ITS SUBSIDIARIES (“DIODES”) MAKE NO WARRANTY OF ANY KIND, EXPRESS OR IMPLIED, WITH REGARDS TO ANY INFORMATION CONTAINED IN THIS DOCUMENT, INCLUDING, BUT NOT LIMITED TO, THE IMPLIED WARRANTIES OF MERCHANTABILITY, FITNESS FOR A PARTICULAR PURPOSE OR NON-INFRINGEMENT OF THIRD PARTY INTELLECTUAL PROPERTY RIGHTS (AND THEIR EQUIVALENTS UNDER THE LAWS OF ANY JURISDICTION).

2. The Information contained herein is for informational purpose only and is provided only to illustrate the operation of Diodes products described herein and application examples. Diodes does not assume any liability arising out of the application or use of this document or any product described herein. This document is intended for skilled and technically trained engineering customers and users who design with Diodes products. Diodes products may be used to facilitate safety-related applications; however, in all instances customers and users are responsible for (a) selecting the appropriate Diodes products for their applications, (b) evaluating the suitability of the Diodes products for their intended applications, (c) ensuring their applications, which incorporate Diodes products, comply the applicable legal and regulatory requirements as well as safety and functional-safety related standards, and (d) ensuring they design with appropriate safeguards (including testing, validation, quality control techniques, redundancy, malfunction prevention, and appropriate treatment for aging degradation) to minimize the risks associated with their applications.

3. Diodes assumes no liability for any application-related information, support, assistance or feedback that may be provided by Diodes from time to time. Any customer or user of this document or products described herein will assume all risks and liabilities associated with such use, and will hold Diodes and all companies whose products are represented herein or on Diodes’ websites, harmless against all damages and liabilities.

4. Products described herein may be covered by one or more United States, international or foreign patents and pending patent applications. Product names and markings noted herein may also be covered by one or more United States, international or foreign trademarks and trademark applications. Diodes does not convey any license under any of its intellectual property rights or the rights of any third parties (including third parties whose products and services may be described in this document or on Diodes’ website) under this document.

5. Diodes products are provided subject to Diodes’ Standard Terms and Conditions of Sale (<https://www.diodes.com/about/company/terms-and-conditions/terms-and-conditions-of-sales/>) or other applicable terms. This document does not alter or expand the applicable warranties provided by Diodes. Diodes does not warrant or accept any liability whatsoever in respect of any products purchased through unauthorized sales channel.

6. Diodes products and technology may not be used for or incorporated into any products or systems whose manufacture, use or sale is prohibited under any applicable laws and regulations. Should customers or users use Diodes products in contravention of any applicable laws or regulations, or for any unintended or unauthorized application, customers and users will (a) be solely responsible for any damages, losses or penalties arising in connection therewith or as a result thereof, and (b) indemnify and hold Diodes and its representatives and agents harmless against any and all claims, damages, expenses, and attorney fees arising out of, directly or indirectly, any claim relating to any noncompliance with the applicable laws and regulations, as well as any unintended or unauthorized application.

7. While efforts have been made to ensure the information contained in this document is accurate, complete and current, it may contain technical inaccuracies, omissions and typographical errors. Diodes does not warrant that information contained in this document is error-free and Diodes is under no obligation to update or otherwise correct this information. Notwithstanding the foregoing, Diodes reserves the right to make modifications, enhancements, improvements, corrections or other changes without further notice to this document and any product described herein. This document is written in English but may be translated into multiple languages for reference. Only the English version of this document is the final and determinative format released by Diodes.

8. Any unauthorized copying, modification, distribution, transmission, display or other use of this document (or any portion hereof) is prohibited. Diodes assumes no responsibility for any losses incurred by the customers or users or any third parties arising from any such unauthorized use.

Copyright © 2021 Diodes Incorporated

[www.diodes.com](http://www.diodes.com)