

High power series connector (45A series)



XL60 Series

XL60 is a two pole connector that suits applications for low current and high voltage interlock connector.

Technical Data

Part Number	PHVXL60201X4-0
Connector Type	Receptacle
Current Rating	40A
Voltage Rating	1000V AC
Dielectric Withstanding Voltage	5000V AC
Operating Temperature Range	-40 °C to +125 °C
Mating Cycles	100 times Min.

Product Features

Electrical interlock	Yes
Shielding	Yes/Optional
Automatic Secondary Lock	YES
Protection class	IP68(24H) , IP6K9K

Application

High Voltage Power Distribution Unit(PDU)

High Power Application

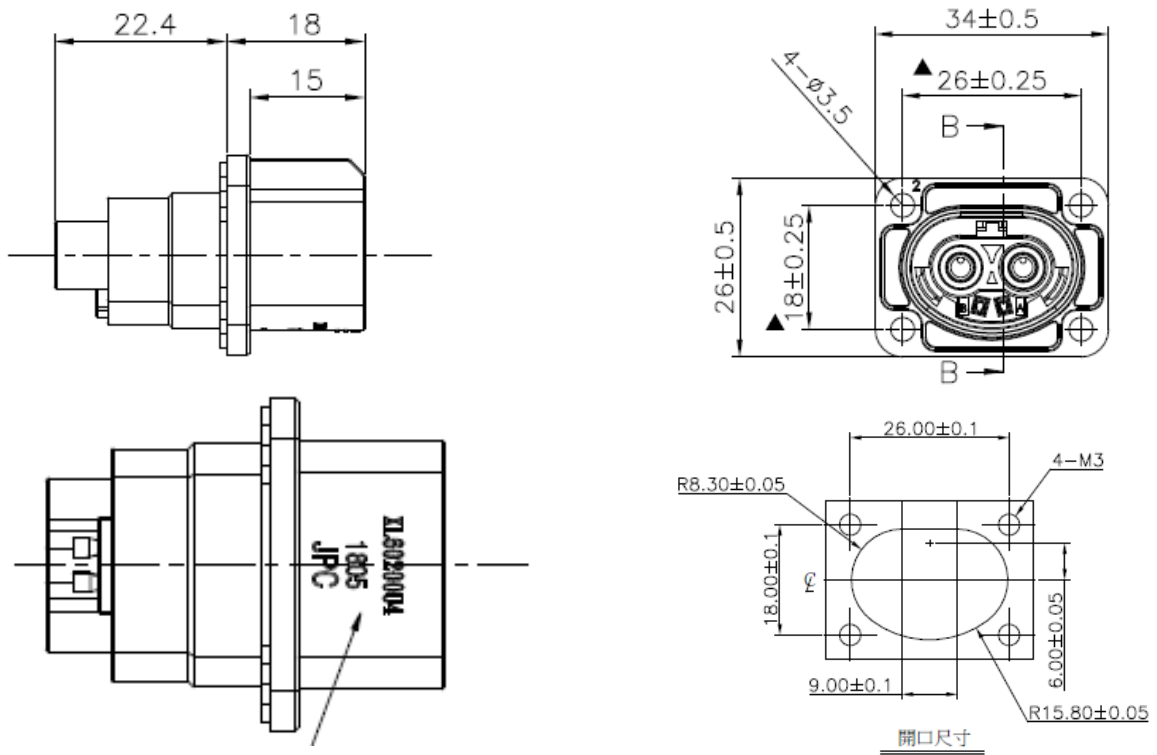
Industry Application

ECU/MCU

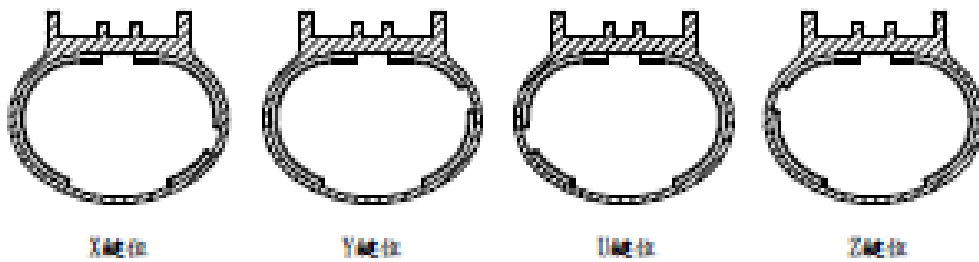
PTC

XL60 Series

Receptacle Interface Dimensions



Key Direction



Product Profile

