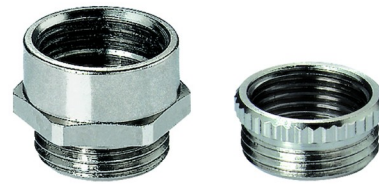


## Adapter

PGxxMxx

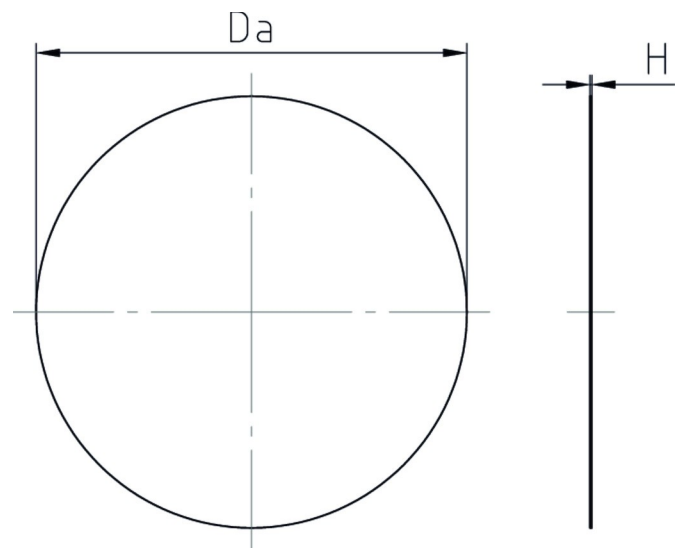
Adapter	Brass CuZn39Pb3, nickel-plated
External thread	Pg as per DIN 40430
Internal thread	metric, as per EN 60423



### Properties


Temperature range	-60 °C +200 °C
Protection grade	dependent on the combination with other components

- Adapter from pg to metric threaded holes




### Features

hexagonal

A	B	L	SW1	H	Di	 VPE	Part No.
Pg 7	M12x1,5	5	14	15	9	100	PG7M12
Pg 9	M16x1,5	6	19	16	12,2	100	PG9M16
Pg 11	M16x1,5	6	22	16	13	100	PG11M16
Pg 13,5	M20x1,5	6,5	24	17,5	16	100	PG13M20
Pg 16	M20x1,5	6,5	27	17,5	18,5	100	PG16M20
Pg 16	M25x1,5	6,5	30	18,5	18,5	100	PG16M25
Pg 21	M25x1,5	7	32	19	23	50	PG21M25
Pg 21	M32x1,5	7	36	20	23	50	PG21M32
Pg 29	M40x1,5	8	43	21	32	50	PG29M40
Pg 36	M50x1,5	9	55	23	42	25	PG36M50
Pg 42	M63x1,5	10	65	25	48	10	PG42M63

knurled

A	B	L	H	Da	 VPE	Part No.
Pg 16	M20x1,5	6,5	9,5	24	100	1620
Pg 21	M25x1,5	7	10	30	100	2125
Pg 29	M25x1,5	8	11,5	39	50	2925