

## SUMMARY

### # Wires

Low voltage 3



*Image is for illustrative purpose only*

Series	0M
Termination type	Male crimp
IP rating	68 mated (mating interface)
AWG wire size	24.00 - 20.00
Cable Ø	4.00 - 8.00 mm
Status	Active
Matching parts	<a href="#">FGS.0M.303.CLMT</a>

### Download

[Request a quote](#)

[Catalog](#)

## TECHNICAL DETAILS

### Mechanics

Shell Style/Model	PE*: Fixed receptacle, nut fixing and mold stop
Keying	3 keys (beta=155, gamma=50, plug: female contacts, receptacle: male contacts)
Housing Material	Brass (chrome plated [SAE AMS 2460]) shell and collet nut, nickel plated [SAE AMS QQ N 290] brass latch sleeve and mid pieces
Weight	7.31 g

### Performance

Configuration	0M.303 : 3 Low Voltage
Insulator	L: PEEK
Rated Current	8 Amps

### Specifications

Contact Type: Crimp  
Contact Retention: 30 N  
Contact Dia.: 0.9 mm (0.035in)  
Bucket Dia.: 1.1 mm (0.043in)  
Min. Conductor: 0.25 mm<sup>2</sup> (AWG 24)  
Max. Conductor: 0.5 mm<sup>2</sup> (AWG 20)  
R (max): 4.8 mOhm  
Test voltage (kV rms) Contact-contact: 1.70

*LEMO products and services are provided "as is". LEMO makes no warranties or representations with regard to LEMO product & services or use of them, express, implied or statutory, including for accuracy, completeness, or security. The user is fully responsible for his products and applications using LEMO components.*

Test voltage (kV rms) Contact-shell: 1.4

## Others

Endurance (Shell): 3000 mating cycles

Temp (min / max): -55°C / +200°C

Humidity (max): 21 days at 95%

Gunfire vibration: 25 Hz - 2000 Hz, 3 axis (Apache helicopter)

Vibration-Sine: 30 g, 3 axes, 12 hr [10 Hz - 2000 Hz]

Vibration-Random: 37.8 g rms - 3 axes, 4 hr amb [50 Hz - 2000 Hz]

Shock Resistance: 300 g [ 3 ms]

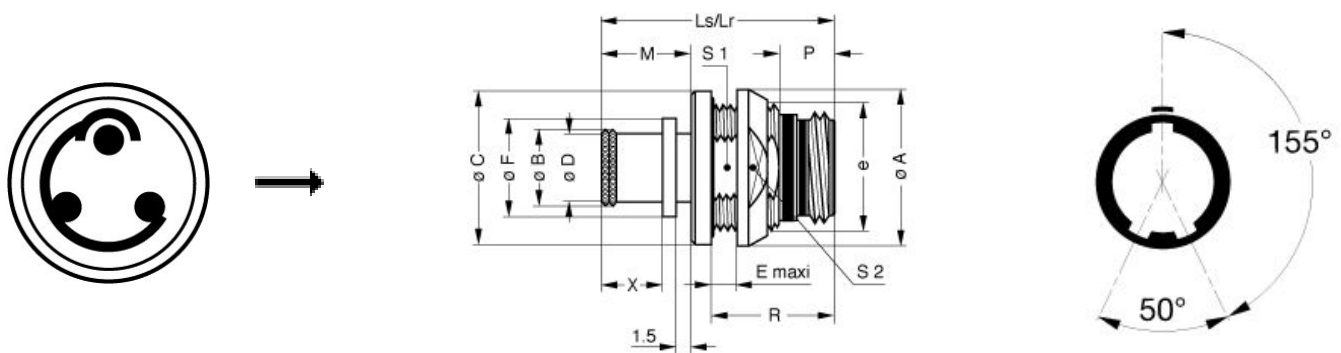
Lighting strike EIA 364-75: 10K amps - 6 times

Thermal shock: 5 cycles: -65°C to +150°C

EMI Shielding EIA 364-66A: >= 80 dB (1 GHz), >=70 dB (3 GHz), >= 58 dB (6 GHz), >= 40 dB (10 GHz)

Salt Spray Corrosion: >1000 hr

## DRAWINGS



## Dimensions

	A	B	C	D	E	Lr	Ls	M	P	R	S1	S2	e
mm.	17	8.8	16.8	8	5	25.6	25.6	9.7	5.3	13.8	11.5	14	M13x0.75
in.	0,67	0,35	0,66	0,31	0,20	1,01	1,01	0,38	0,21	0,54	0,45	0,55	

## RECOMMENDED BY LEMO

LEMO products and services are provided "as is". LEMO makes no warranties or representations with regard to LEMO product & services or use of them, express, implied or statutory, including for accuracy, completeness, or security. The user is fully responsible for his products and applications using LEMO components.

## Tools

Crimp Tool:	<a href="#">DPC.91.701.V</a>
Crimp settings:	AWG/Selector = 20-22-24/6-5-5
Positionner:	<a href="#">DCE.91.090.5MVC</a>
Extractor:	<a href="#">DCC.09.05B.LAG</a>
Replacement contact:	FGN.0M.560.ZZC
Spanner wrench:	<a href="#">Socket for torque wrench DCM.65.140.AZ</a>

*LEMO products and services are provided "as is". LEMO makes no warranties or representations with regard to LEMO product & services or use of them, express, implied or statutory, including for accuracy, completeness, or security. The user is fully responsible for his products and applications using LEMO components.*