



50 ohm TNC plug to TNC jack DC Block inner from 10MHz to 3GHz rated 100 Volt in Brass

DC Blocks Technical Data Sheet

PE8272

Features

- Inner DC Blocks with Brass Body
- TNC connectorized configuration
- Operates from 10 MHz to 3 GHz
- 50 Ohm Impedance

Applications

- Test & Measurement
- Ground Loop Elimination
- Signal to Noise Ratio (SNR) Improvement

Description

Pasternack's PE8272 is an inner DC block with TNC connectors. It has a blocking capacitor on the inner conductor and operates from 10 MHz to 3 GHz. Our TNC DC block offers good insertion loss of 0.2 dB and has a maximum operating voltage of 100 Vdc. DC blocks are commonly used to filter out unwanted DC signals, while allowing AC drive signals to pass through. They can help improve signal to noise ratio (SNR), eliminate ground loops, or provide isolation in your test setup. All of Pasternack's DC blocks are in stock and available to ship same-day.

Electrical Specifications

Description	Minimum	Typical	Maximum	Units
Frequency Range	0.01		3	GHz
Impedance		50		Ohms
VSWR			1.2:1	
Insertion Loss			0.2	dB
Operating Voltage (DC)			100	Volts

Mechanical Specifications

Size

Length	2.09 in [53.09 mm]
Width	0.63 in [16 mm]
Height	0.63 in [16 mm]
Weight	0.1 lbs [45.36 g]
Housing Material and Plating	Brass, Tri-Metal

Configuration

Package Type Connectorized

Description	Connector 1	Connector 2
Type	TNC Male	TNC Female
Inner Conductor Material and Plating	Bronze, Gold	Brass, Gold

Click the following link (or enter part number in "SEARCH" on website) to obtain additional part information including price, inventory and certifications: [50 ohm TNC plug to TNC jack DC Block inner from 10MHz to 3GHz rated 100 Volt in Brass PE8272](#)



50 ohm TNC plug to TNC jack DC Block inner from
10MHz to 3GHz rated 100 Volt in Brass

DC Blocks Technical Data Sheet

PE8272

Compliance Certifications (see [product page](#) for current document)

Plotted and Other Data

Notes:

50 ohm TNC plug to TNC jack DC Block inner from 10MHz to 3GHz rated 100 Volt in Brass from Pasternack Enterprises has same day shipment for domestic and International orders. Our RF, microwave and millimeter wave products maintain a 99.4% availability and are part of the broadest selection in the industry.

Click the following link (or enter part number in "SEARCH" on website) to obtain additional part information including price, inventory and certifications: [50 ohm TNC plug to TNC jack DC Block inner from 10MHz to 3GHz rated 100 Volt in Brass PE8272](#)

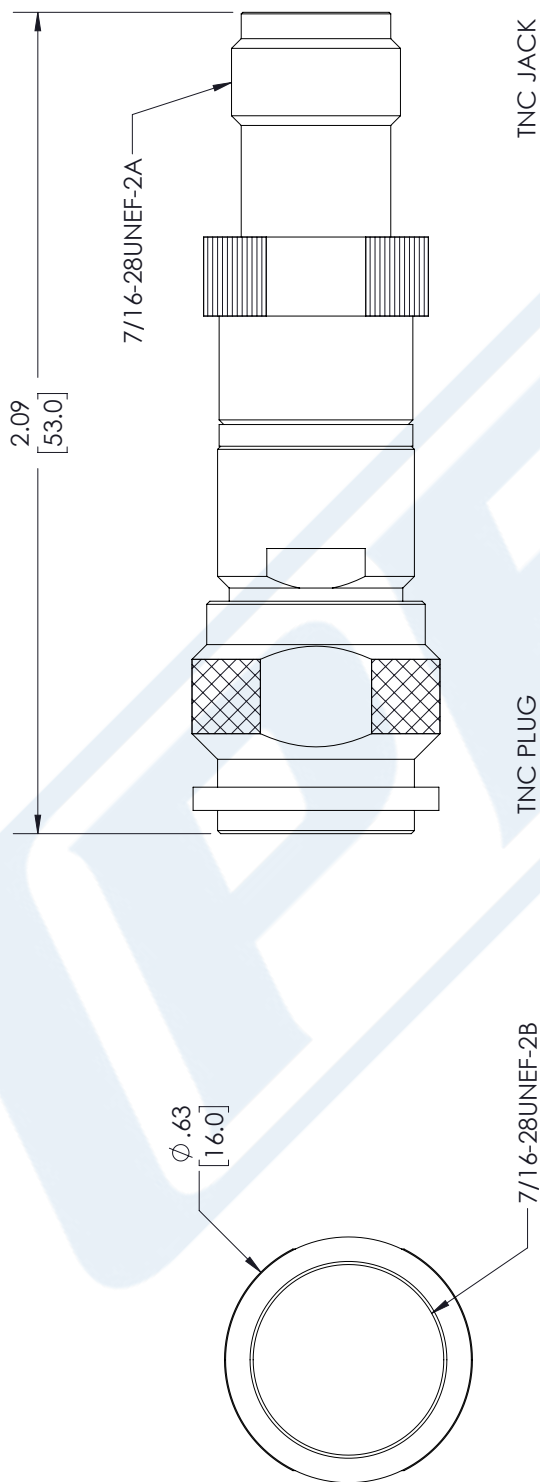
URL: <https://www.pasternack.com/50-ohm-tnc-dc-block-10-mhz-3-ghz-pe8272-p.aspx>

The information contained in this document is accurate to the best of our knowledge and representative of the part described herein. It may be necessary to make modifications to the part and/or the documentation of the part, in order to implement improvements. Pasternack reserves the right to make such changes as required. Unless otherwise stated, all specifications are nominal. Pasternack does not make any representation or warranty regarding the suitability of the part described herein for any particular purpose, and Pasternack does not assume any liability arising out of the use of any part or documentation.

PE8272 CAD Drawing

50 ohm TNC plug to TNC jack DC Block inner from 10MHz to 3GHz rated 100 Volt in Brass

REVISIONS		
REV.	DESCRIPTION	DATE
A	INITIAL RELEASE	1/25/22
		APPROVED
		JNAJERA



<p>UNLESS OTHERWISE SPECIFIED LEADING DIMENSIONS ARE INCHES DIMENSIONS IN [] ARE MILLIMETERS</p> <p>TOLERANCES:</p> <p>.X = ±.2 [5.08] FRACTIONS ±.1/32 .XX = ±.02 [.51] ±.1/32 .XXX = ±.005 [.13] ANGLES ± 1°</p> <p>CABLE LENGTH (L) TOLERANCES: L ≤ 12 [305] = +1 [25] / -0 12 [305] < L ≤ 60 [1524] = +2 [51] / -0 60 [1524] < L ≤ 120 [3048] = +4 [102] / -0 120 [3048] < L ≤ 300 [7620] = +6 [152] / -0 300 [7620] < L = +5%L / -0</p> <p>ALL DIMENSIONS SHOWN ARE FOR REFERENCE ONLY.</p>	<p>THIRD-ANGLE PROJECTION</p> <p>THE INFORMATION AND DESIGN IN THIS DOCUMENT IS THE PROPERTY OF PASTERNAK CORPORATION ALL RIGHTS RESERVED.</p> <p>SHEET 1 OF 1</p> <p>SCALE N/A</p>
	<p>(PE) PASTERNAK an INFINITE brand</p> <p>Pasternack Enterprises, Inc. P.O. Box 16759, Irvine, CA 92623. Phone: 1.949.261.1920 1.866.727.8376 Fax: 1.949.261.7451 Website: www.pasternack.com E-mail: sales@pasternack.com</p>
<p>SIZE A CAGE CODE 53919 DRAWN BY HBAKKE ITEM NO. PE8272</p>	

THESE COMMODITIES, TECHNOLOGY OR SOFTWARE WERE EXPORTED FROM THE UNITED STATES IN ACCORDANCE WITH THE EXPORT ADMINISTRATION REGULATIONS. DIVERSION CONTRARY TO U.S. LAW PROHIBITED.