



880 MHz to 960 MHz, Heavy-Duty Yagi Antenna, 7dBi, N-female

Antennas Technical Data Sheet

PE51YA1019

Features

- Aircraft Quality 6061-T6 Aluminum with 5/16" Elements with 360° Fully Welded to a 1" Boom
- Powder-Coated Balck for Corrosion, Fade, and Ice-Build Up Resistance
- Can be Installed for Either Vertical or Horizontal Polarization
- Comes with 36' LMR400 Pigtails with N-Type Female Connectors

Applications

- 900 MHz Cellular and GSM
- 900 MHz ISM Band & Wireless LAN Systems
- Point to Multipoint & Non Line of Sight
- NLOS Applications
- RFID & SCADA
- LPWAN, LoRA, IoT, M2M

Description

The Pasternack 880 MHz to 960 MHz PE51YA1019 Yagi Antenna ships the same day and is designed for the most rugged conditions. This 900 MHz antenna provides 7 dBi of gain and adjustable polarization. Equipped with an N-Female connector, coaxial connections to a radio are simple and easy. The PE51YA1019 is ideally suited for 900 MHz ISM bands. This 7 dBi antenna supports Land Mobile Radio for land transportation, utility, manufacturing, and petrochemical companies (oil and gas).

Measuring 13.4 inches long, the N-female PE51YA1019 from Pasternack is manufactured using robust 5/16" aircraft quality aluminum elements. The PE51YA1019 elements are completely welded to a 1" boom and painted black. This ensures performance and survivability in the toughest environments.

880 MHz to 960 MHz Yagi antennas from Pasternack are high-quality components backed by expert technical support and sales personnel. Like the other RF components at Pasternack, the 7 dBi PE51YA1019 is in stock and ready to ship the same day.

Configuration

Design	Yagi
Band Type	Single
Radiation Pattern	Directional
Polarization	Linear
Cable Type	LMR400
Cable Length	36 in [914.4 mm]
Connector Type	N Female
Number of Ports	1
Housing Material and Plating	Aluminum, Powder Coat

Electrical Specifications

Description	Minimum	Typical	Maximum	Units
Frequency Range	880		960	MHz
Input VSWR		1.3:1	1.5:1	
Impedance		50		Ohms
Gain		7		dBi
Input Power			150	Watts

Click the following link (or enter part number in "SEARCH" on website) to obtain additional part information including price, inventory and certifications: [880 MHz to 960 MHz, Heavy-Duty Yagi Antenna, 7dBi, N-female PE51YA1019](#)



880 MHz to 960 MHz, Heavy-Duty Yagi Antenna, 7dBi, N-female

Antennas Technical Data Sheet

PE51YA1019

Specifications by Band

Description	Band 1	Band 2	Band 3	Band 4	Band 5	Units
Range	880-928	928-960				MHz
Gain	7	7.5				dBi
Horizontal Beam Width	100	95				Degrees
Vertical Beam Width	60	55				Degrees
VSWR Max 1.5:1	1.5:1					

Mechanical Specifications

Housing Material: Aluminum
Housing Plating/Color: Powder Coat

Size

Overall Length: 13.4 in [340.36 mm]
Width: 7.1 in [180.34 mm]
Height: 2.4 in [60.96 mm]
Mounting Mast Diameter: 0.75 to 2 in [19.05 to 50.80 mm]
Weight: 6 lbs [2.72 kg]

Environmental Specifications

Temperature

Operating Range: -40 to +60 deg C
Storage Range: -40 to +140 deg C
Wind Loading: 200 MPH [321.87 KPH]
ESD Protection: IP55

Compliance Certifications (see [product page](#) for current document)

Plotted and Other Data

Notes:

Click the following link (or enter part number in "SEARCH" on website) to obtain additional part information including price, inventory and certifications: [880 MHz to 960 MHz, Heavy-Duty Yagi Antenna, 7dBi, N-female PE51YA1019](#)



880 MHz to 960 MHz, Heavy-Duty Yagi Antenna, 7dBi, N-female

Antennas Technical Data Sheet

PE51YA1019

880 MHz to 960 MHz, Heavy-Duty Yagi Antenna, 7dBi, N-female from Pasternack Enterprises has same day shipment for domestic and International orders. Our RF, microwave and millimeter wave products maintain a 99.4% availability and are part of the broadest selection in the industry.

Click the following link (or enter part number in "SEARCH" on website) to obtain additional part information including price, inventory and certifications: [880 MHz to 960 MHz, Heavy-Duty Yagi Antenna, 7dBi, N-female PE51YA1019](https://www.pasternack.com/single-antenna-880-960-mhz-7-dbi-gain-n-pe51ya1019-p.aspx)

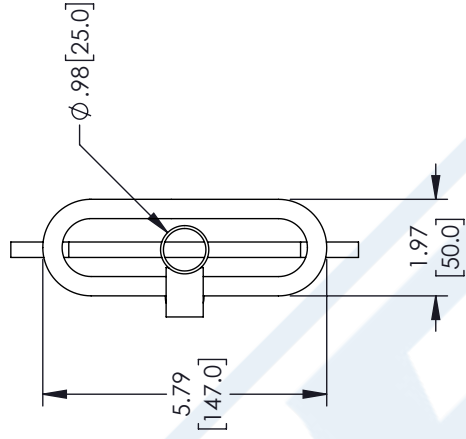
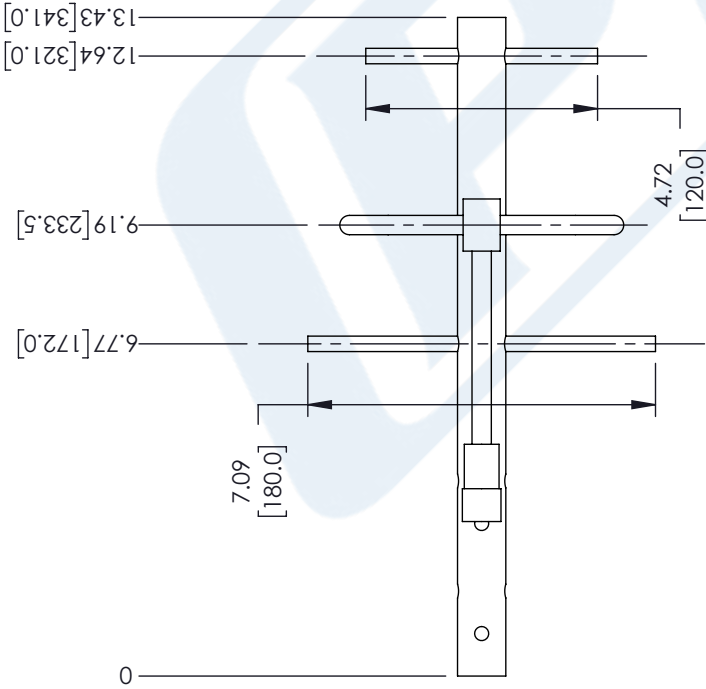
URL: <https://www.pasternack.com/single-antenna-880-960-mhz-7-dbi-gain-n-pe51ya1019-p.aspx>

The information contained in this document is accurate to the best of our knowledge and representative of the part described herein. It may be necessary to make modifications to the part and/or the documentation of the part, in order to implement improvements. Pasternack reserves the right to make such changes as required. Unless otherwise stated, all specifications are nominal. Pasternack does not make any representation or warranty regarding the suitability of the part described herein for any particular purpose, and Pasternack does not assume any liability arising out of the use of any part or documentation.

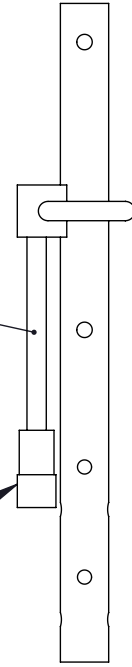
PE51YA1019 CAD Drawing

880 MHz to 960 MHz, Heavy-Duty Yagi Antenna, 7dBi, N-female

REVISIONS			
REV.	DESCRIPTION	DATE	APPROVED
A	INITIAL RELEASE	07/10/2020	KHIETPAS



N TYPE FEMALE CONNECTOR



UNLESS OTHERWISE SPECIFIED LEADING DIMENSIONS ARE INCHES DIMENSIONS IN [] ARE MILLIMETERS

TOLERANCES:
 .X = ±.2 [5.08] FRACTIONS ± 1/32
 .XX = ±.02 [.51] ANGLES ± 1°
 .XXX = ±.005 [.13]

CABLE LENGTH (L), TOLERANCES:
 L ≤ 12 [305] = +1 [25] / -0
 12 [305] < L ≤ 60 [1524] = +2 [51] / -0
 60 [1524] < L ≤ 120 [3048] = +4 [102] / -0
 120 [3048] < L ≤ 300 [7620] = +6 [152] / -0
 300 [7620] < L = +5% / -0

ALL DIMENSIONS SHOWN ARE FOR REFERENCE ONLY.

PE PASTERNAK
an INFINITI brand

Pasternack Enterprises, Inc.
 P. O. Box 16759, Irvine, CA 92623.
 Phone: 1.949.261.1920 | 1.866.727.8376
 Fax: 1.949.261.7451
 Website: www.pasternack.com
 E-mail: sales@pasternack.com

THIRD-ANGLE PROJECTION

THE INFORMATION AND DESIGN IN THIS DOCUMENT IS THE PROPERTY OF PASTERNAK CORPORATION ALL RIGHTS RESERVED.

SHEET 1 OF 1

SCALE N/A

REV N/A

SIZE A CAGE CODE 53919 DRAWN BY DZINN ITEM NO. PE51YA1019

THESE COMMODITIES, TECHNOLOGY OR SOFTWARE WERE EXPORTED FROM THE UNITED STATES IN ACCORDANCE WITH THE EXPORT ADMINISTRATION REGULATIONS. DIVERSION CONTRARY TO U.S. LAW PROHIBITED.