



SMA Female Connector Solder/Solder (Captive Contact) Attachment 1/8 inch Stripline PCB

RF Connectors Technical Data Sheet

PE4190

Configuration

- SMA Female Connector
- MIL-STD-348
- 50 Ohms
- Straight Body Geometry
- 1/8 inch Stripline Interface Type
- Solder/Solder (Captive Contact) Attachment

Features

- Gold Plated Contact
- Contact plating according to MIL-G-45204

Applications

- General Purpose Test
- PCB Applications

Description

Pasternack's PE4190 SMA female connector with solder/solder (captive contact) attachment for 1/8 inch stripline PCB is part of our full line of RF components available for same-day shipping.

Our SMA female connector PE4190 datasheet specifications and drawing with dimensions are shown below in this PDF. Pasternack's broad catalog of RF, microwave and millimeter wave connectors allows designers to configure and customize their signal connections however they like. Whether the need is to provide an I/O for a board design, or simply create a custom cable assembly configuration, Pasternack has the right connector for the job. Pasternack can also expertly build your custom cable assemblies for you and ship same-day.

Mechanical Specifications

Size

Length	0.634 in [16.1 mm]
Width/Dia.	0.5 in [12.70 mm]
Height	0.376 in [9.55 mm]
Weight	0.02 lbs [9.07 g]

Material Specifications

Description	Material	Plating
Contact		Gold MIL-G-45204
Insulation	PTFE	
Body	Brass	Nickel QQ-N-290

Click the following link (or enter part number in "SEARCH" on website) to obtain additional part information including price, inventory and certifications: [SMA Female Connector Solder/Solder \(Captive Contact\) Attachment 1/8 inch Stripline PCB PE4190](#)



SMA Female Connector Solder/Solder (Captive Contact) Attachment 1/8 inch Stripline PCB

RF Connectors Technical Data Sheet

PE4190

Compliance Certifications (see [product page](#) for current document)

Plotted and Other Data

Notes:

SMA Female Connector Solder/Solder (Captive Contact) Attachment 1/8 inch Stripline PCB from Pasternack Enterprises has same day shipment for domestic and International orders. Our RF, microwave and millimeter wave products maintain a 99% availability and are part of the broadest selection in the industry.

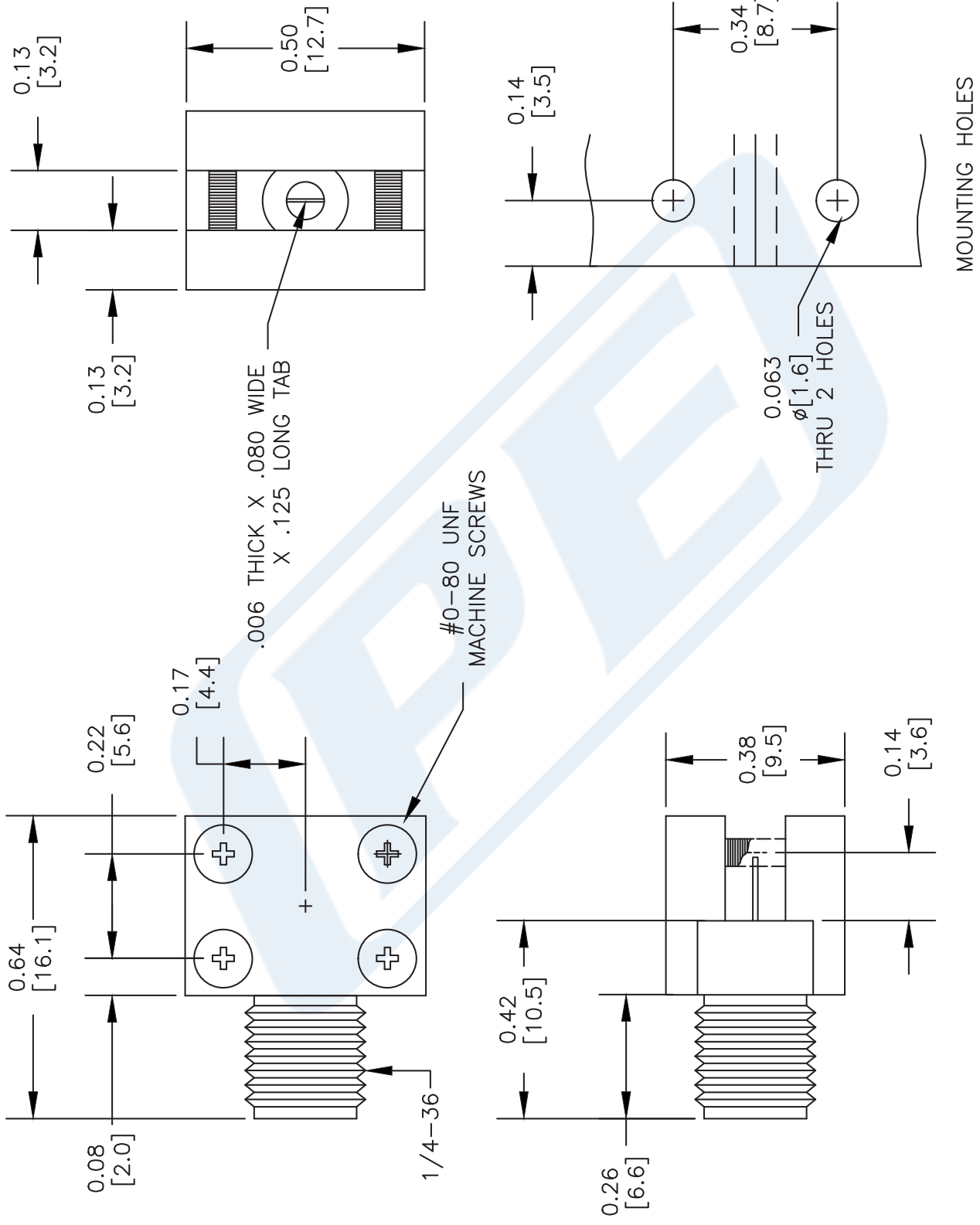
Click the following link (or enter part number in "SEARCH" on website) to obtain additional part information including price, inventory and certifications: [SMA Female Connector Solder/Solder \(Captive Contact\) Attachment 1/8 inch Stripline PCB PE4190](#)

URL: <https://www.pasternack.com/sma-female-standard-1-8-inch-stripline-connector-pe4190-p.aspx>

The information contained in this document is accurate to the best of our knowledge and representative of the part described herein. It may be necessary to make modifications to the part and/or the documentation of the part, in order to implement improvements. Pasternack reserves the right to make such changes as required. Unless otherwise stated, all specifications are nominal. Pasternack does not make any representation or warranty regarding the suitability of the part described herein for any particular purpose, and Pasternack does not assume any liability arising out of the use of any part or documentation.

PE4190 CAD Drawing

SMA Female Connector Solder/Solder (Captive Contact) Attachment 1/8 inch Stripline PCB



NOTES:
 1. UNLESS OTHERWISE SPECIFIED ALL DIMENSIONS ARE NOMINAL.
 2. ALL SPECIFICATIONS ARE SUBJECT TO CHANGE WITHOUT NOTICE AT ANY TIME.
 3. DIMENSIONS ARE IN INCHES [mm].
 4. FITS MIL-C-17 AND EQUIVALENT CABLES.

DWG TITLE
PE4190

PE PASTERNAK
 Pasternack Enterprises, Inc.
 P.O. Box 16759 | Irvine | CA | 92623
 Phone: (949) 261-1920 | Fax: (949) 261-7451
 Website: www.pasternack.com | E-Mail: sales@pasternack.com

REV. A	FSCM NO. 53919	CAD FILE	062707-A	SCALE	N/A	SIZE	A	127
--------	----------------	----------	----------	-------	-----	------	---	-----