



12G SDI 75 Ohm BNC Male Connector Crimp/Solder Attachment for Belden 4694R, Belden 1694A, RG6

RF Connectors Technical Data Sheet

PE40001

Configuration

- BNC Male Connector
- 75 Ohms
- Straight Body Geometry
- Connector Interface Types: Belden 4694R, Belden 1694A, RG6

Features

- Max. Operating Frequency 12 GHz
- Gold Plated Brass Contact
- 10 µin minimum contact plating
- Meets SMPTE ST 2082-1
- Backwards Compatible with 2081-1
- 12Gb/s Transmission
- Cost Effective

Applications

- General Purpose Test
- Custom Cable Assemblies
- CATV
- 12G-SDI, Video, and Broadband UHDTV
- Broadband Internet Delivery
- Broadcast A/V
- 4K/8K Video Equipment
- Medical Equipment Requiring High Speed Video
- HD Cameras

Description

Pasternack's PE40001 75 ohm BNC male connector with crimp/solder attachment for Belden 4694R, Belden 1694A and RG6 is part of our full line of RF components available for same-day shipping. Our BNC male connector operates up to a maximum frequency of 12 GHz. Pasternack's 12G-SDI BNC connector PE40001 utilizes 12Gb/s data transfer rates to enable high resolution uncompressed video signal transmission. These products offer 4K and Ultra-HD quality signals that meet SMPTE Standard 2082-1. These 75 Ohm connectors are available in PCB edge-mount, straight, or right angle configurations, as well as coaxial connectors to be used in industry standard cable assemblies.

Our 75 ohm BNC male connector PE40001 datasheet specifications and drawing with dimensions are shown below in this PDF. Pasternack's broad catalog of RF, microwave and millimeter wave connectors allows designers to configure and customize their signal connections however they like. Whether the need is to provide an I/O for a board design, or simply create a custom cable assembly configuration, Pasternack has the right connector for the job. Pasternack can also expertly build your custom cable assemblies for you and ship same-day.

Electrical Specifications

Description	Minimum	Typical	Maximum	Units
Frequency Range	DC		12	GHz

Mechanical Specifications

Size

Length	1 in [25.4 mm]
Width/Dia.	0.6 in [15.24 mm]
Height	0.6 in [15.24 mm]

Click the following link (or enter part number in "SEARCH" on website) to obtain additional part information including price, inventory and certifications: [12G SDI 75 Ohm BNC Male Connector Crimp/Solder Attachment for Belden 4694R, Belden 1694A, RG6 PE40001](#)



12G SDI 75 Ohm BNC Male Connector Crimp/Solder Attachment for Belden 4694R, Belden 1694A, RG6

RF Connectors Technical Data Sheet

PE40001

Weight 0.05 lbs [22.68 g]

Material Specifications

Description	Material	Plating
Contact	Brass	Gold 10 µin minimum
Insulation	PTFE	
Outer Conductor	Brass	Nickel 50 µin minimum
Body	Brass	Nickel 100 µin minimum
Gasket	Silicone	
Crimp Sleeve	Brass	Nickel

Environmental Specifications

Compliance Certifications (see [product page](#) for current document)

Plotted and Other Data

Notes:

12G SDI 75 Ohm BNC Male Connector Crimp/Solder Attachment for Belden 4694R, Belden 1694A, RG6 from Pasternack Enterprises has same day shipment for domestic and International orders. Our RF, microwave and millimeter wave products maintain a 99.4% availability and are part of the broadest selection in the industry.

Click the following link (or enter part number in "SEARCH" on website) to obtain additional part information including price, inventory and certifications: [12G SDI 75 Ohm BNC Male Connector Crimp/Solder Attachment for Belden 4694R, Belden 1694A, RG6 PE40001](#)

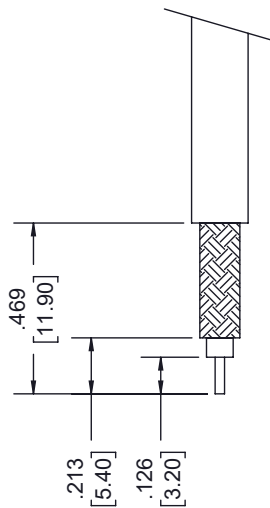
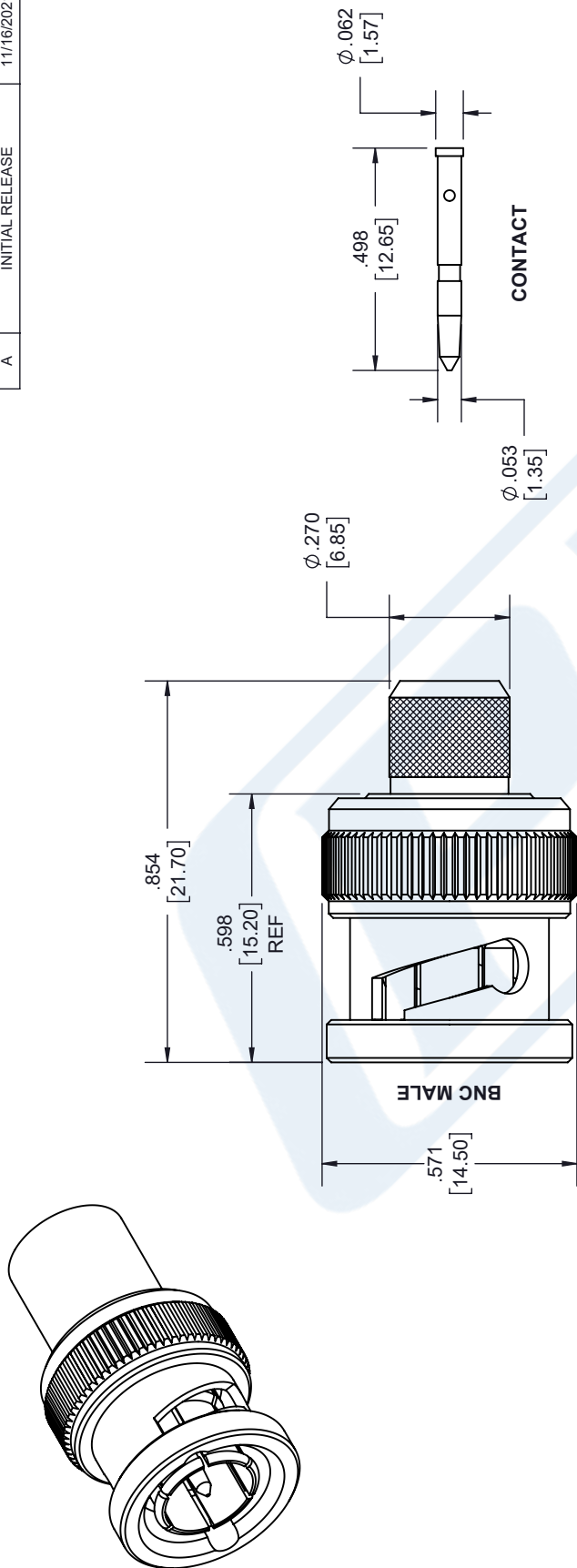
URL: <https://www.pasternack.com/bnc-male-belden-4694r-belden-1694a-rg6-connector-pe40001-p.aspx>

The information contained in this document is accurate to the best of our knowledge and representative of the part described herein. It may be necessary to make modifications to the part and/or the documentation of the part, in order to implement improvements. Pasternack reserves the right to make such changes as required. Unless otherwise stated, all specifications are nominal. Pasternack does not make any representation or warranty regarding the suitability of the part described herein for any particular purpose, and Pasternack does not assume any liability arising out of the use of any part or documentation.

PE40001 CAD Drawing

12G SDI 75 Ohm BNC Male Connector Crimp/Solder Attachment for Belden 4694R, Belden 1694A, RG6

REVISIONS		
REV.	DESCRIPTION	DATE
A	INITIAL RELEASE	11/16/2021
		APPROVED A. GANWANI



STRIPPING DIMENSIONS

NOTES:

- CABLE ATTACHMENT:
 - OUTER: CRIMP.
 - INNER: SOLDER/CRIMP.
- CRIMP SIZE REQUIRED:
 - FERRULE: .324 [8.23] HEX DIE.

UNLESS OTHERWISE SPECIFIED
LEADING DIMENSIONS ARE INCHES
DIMENSIONS IN [] ARE MILLIMETERS

TOLERANCES:

.X = ±.2 [5.08] FRACTIONS ± 1/32
.XX = ±.02 [.51] ANGLES ± 1°
.XXX = ±.005 [.13] CABLE LENGTH (L): TOLERANCES:

L ≤ 12 [305] = +1 [25] / -0
12 [305] < L ≤ 60 [1524] = +2 [51] / -0
60 [1524] < L ≤ 120 [3048] = +4 [102] / -0
120 [3048] < L ≤ 300 [7620] = +6 [152] / -0
300 [7620] < L = +5% / -0

ALL DIMENSIONS SHOWN
ARE FOR REFERENCE ONLY.

THIRD-ANGLE PROJECTION



THE INFORMATION AND
DESIGN IN THIS DOCUMENT
IS THE PROPERTY OF
PASTERNAK CORPORATION
ALL RIGHTS RESERVED.

SHEET 1 OF 1

SCALE N/A

REV A



Pasternack Enterprises, Inc.
P. O. Box 16759, Irvine, CA 92623.
Phone: 1.949.261.1920 | 1.866.727.8376
Fax: 1.949.261.7451
Website: www.pasternack.com
E-mail: sales@pasternack.com

SIZE A CAGE CODE 53919 DRAWN BY K.DANG ITEM NO. PE40001