



90 Degree Drop-In Hybrid Coupler From 1 GHz to 3 GHz Rated to 150 Watts

Hybrids Technical Data Sheet

PE2CP1052

Features

- High Power
- 18 dB isolation
- 1 GHz to 3 GHz Frequency Range
- Gold Plated Silver Leads
- 1.35 inch by 0.5 inch package
- Clear Chem Film Per MIL-DTL-5541

Applications

- Test and measurement
- Military Communications
- Commercial Communications
- Wireless Communications
- SATCOM
- Military Electronic Systems

Description

The PE2CP1052 operates from 1 GHz to 3 GHz and can handle 150 watts of power with 18 dB isolation. The package is 1.35 inch by .5 inch with gold plated silver leads and can be attached to a heat sink and PCB by screws. Gold plated leads are resistant to oxidation for ease of soldering and ensuring superior electrical performance of 1.3:1 VSWR and an insertion loss of 0.3 dB.

The PE2CP1052 is part of Pasternack's family of 90 degree hybrid couplers in drop-in packages. These couplers feature small drop-in packages that can handle power up to 1,000 Watts. They are available in both narrow and broad bandwidths. These quadrature hybrids are excellent for any situation to either equally split an input signal into two paths with a 90 degree phase shift between them or to combine two signals while maintaining high isolation between them.

Electrical Specifications

Description	Minimum	Typical	Maximum	Units
Frequency Range	1		3	GHz
Impedance		50		Ohms
Phase Difference		90		Degrees
Insertion Loss			0.3	dB
Isolation	18			dB
VSWR			1.3:1	
Amplitude Balance		±1.1		dB
Phase Balance		±5		Degrees
Input Power (CW)			150	Watts

Click the following link (or enter part number in "SEARCH" on website) to obtain additional part information including price, inventory and certifications: [90 Degree Drop-In Hybrid Coupler From 1 GHz to 3 GHz Rated to 150 Watts PE2CP1052](#)



90 Degree Drop-In Hybrid Coupler From
1 GHz to 3 GHz Rated to 150 Watts

Hybrids Technical Data Sheet

PE2CP1052

Mechanical Specifications

Size

Length	1.35 in [34.29 mm]
Width	0.14 in [3.56 mm]
Height	0.5 in [12.7 mm]
Weight	0.01 lbs [4.54 g]

Configuration

RF Connector Type	Pin
Contact Material and Plating	Silver, Gold

Environmental Specifications

Temperature

Operating Range	-55 to +85 deg C
-----------------	------------------

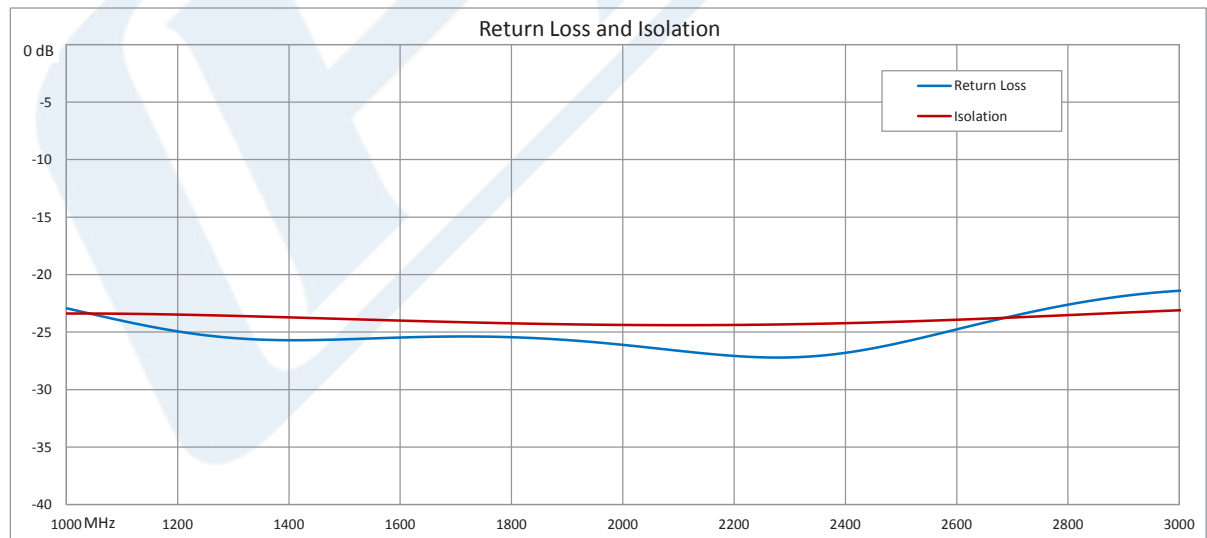
Compliance Certifications (visit www.Pasternack.com for current document)

RoHS Compliant	
REACH Compliant	12/17/2015

Plotted and Other Data

Notes:

Typical Performance Data



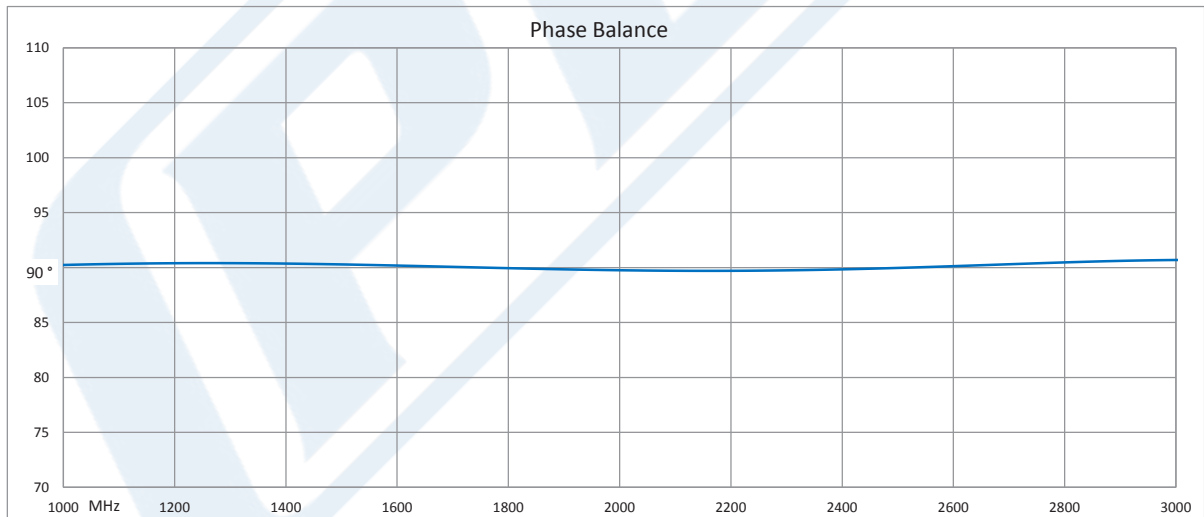
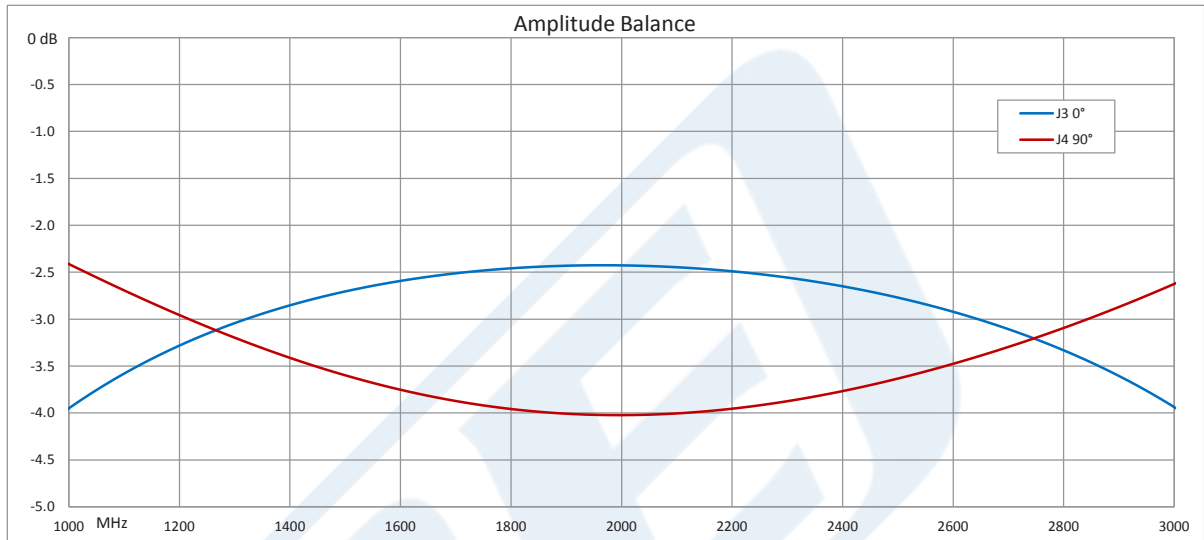
Click the following link (or enter part number in "SEARCH" on website) to obtain additional part information including price, inventory and certifications: [90 Degree Drop-In Hybrid Coupler From 1 GHz to 3 GHz Rated to 150 Watts PE2CP1052](#)



90 Degree Drop-In Hybrid Coupler From
1 GHz to 3 GHz Rated to 150 Watts

Hybrids Technical Data Sheet

PE2CP1052



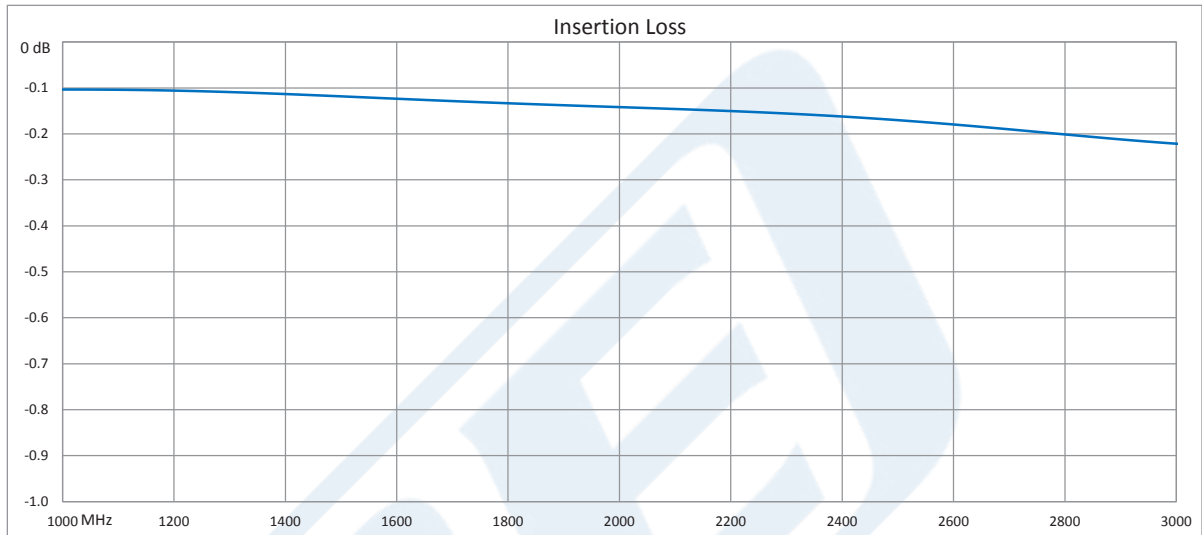
Click the following link (or enter part number in "SEARCH" on website) to obtain additional part information including price, inventory and certifications: [90 Degree Drop-In Hybrid Coupler From 1 GHz to 3 GHz Rated to 150 Watts PE2CP1052](#)



90 Degree Drop-In Hybrid Coupler From 1 GHz to 3 GHz Rated to 150 Watts

Hybrids Technical Data Sheet

PE2CP1052



90 Degree Drop-In Hybrid Coupler From 1 GHz to 3 GHz Rated to 150 Watts from Pasternack Enterprises has same day shipment for domestic and International orders. Our RF, microwave and millimeter wave products maintain a 99% availability and are part of the broadest selection in the industry.

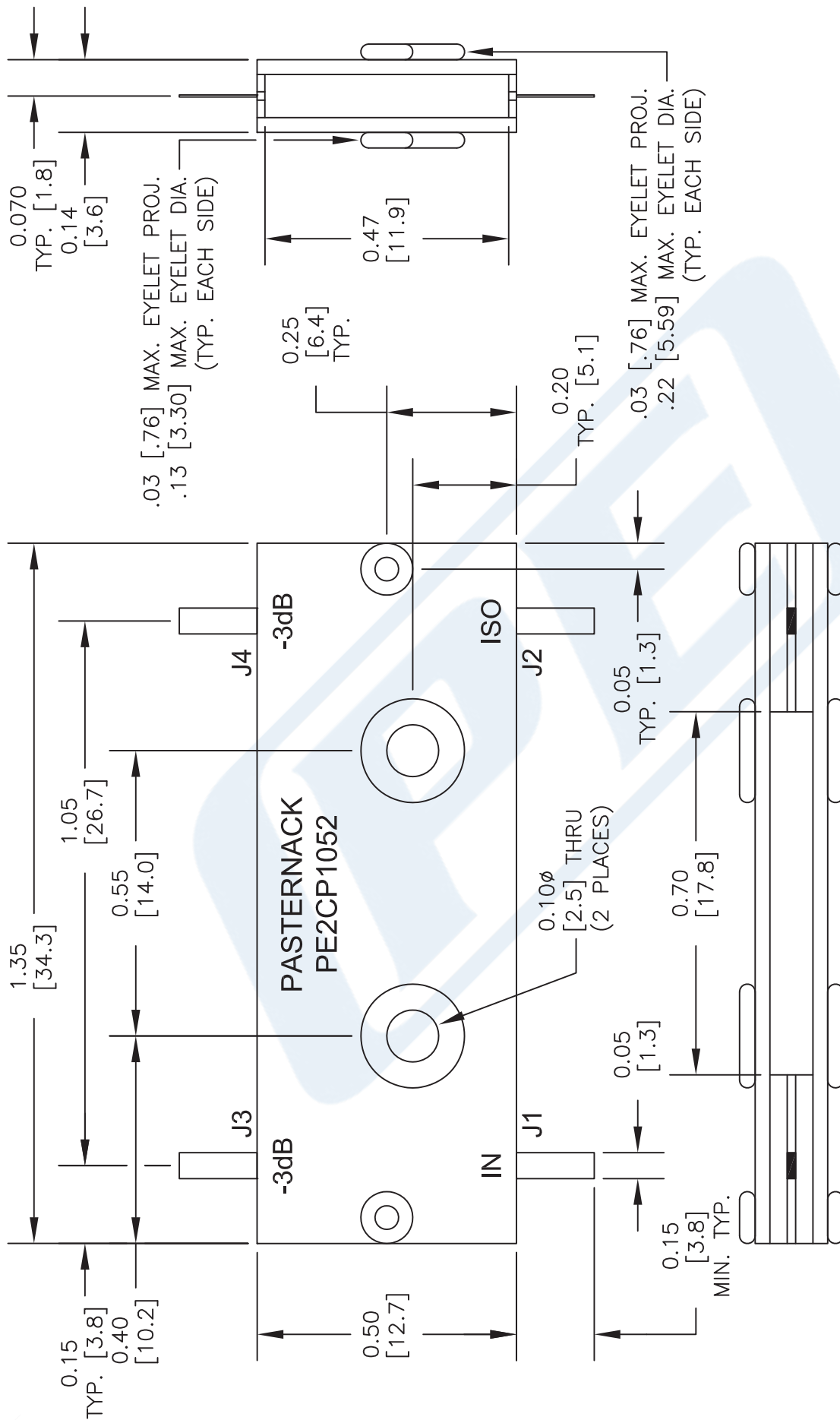
Click the following link (or enter part number in "SEARCH" on website) to obtain additional part information including price, inventory and certifications: [90 Degree Drop-In Hybrid Coupler From 1 GHz to 3 GHz Rated to 150 Watts PE2CP1052](#)

URL: <http://www.pasternack.com/drop-in-coupler-1-3-ghz-150-watts-pe2cp1052-p.aspx>

The information contained in this document is accurate to the best of our knowledge and representative of the part described herein. It may be necessary to make modifications to the part and/or the documentation of the part, in order to implement improvements. Pasternack reserves the right to make such changes as required. Unless otherwise stated, all specifications are nominal. Pasternack does not make any representation or warranty regarding the suitability of the part described herein for any particular purpose, and Pasternack does not assume any liability arising out of the use of any part or documentation.

PE2CP1052 CAD Drawing

90 Degree Drop-In Hybrid Coupler From 1 GHz to 3 GHz Rated to 150 Watts



PORT CONFIGURATION				
INPUT	J1	J2	J3	J4
J1	---	ISOLATION	-3dB<90 DEG	-3dB<90 DEG
J2	ISOLATION	---	-3dB<90 DEG	-3dB<90 DEG
J3	-3dB<90 DEG	-3dB<90 DEG	---	ISOLATION
J4	-3dB<90 DEG	-3dB<90 DEG	ISOLATION	---

TOLERANCE
 .XX ± .02 [.50]
 .XXX ± .005 [.127]
 ANG. ± 1/2°

* THESE DIMENSIONS AND TOLERANCES
 SUPERSEDE NOTE #1 ON TITLE BLOCK.

NOTES:
 1. UNLESS OTHERWISE SPECIFIED ALL DIMENSIONS ARE NOMINAL.
 2. ALL SPECIFICATIONS ARE SUBJECT TO CHANGE WITHOUT NOTICE AT ANY TIME.
 3. DIMENSIONS ARE IN INCHES [mm].

DWG TITLE
PE2CP1052

PE PASTERNAK
 THE ENGINEERS' RF SOURCE
 Pasternack Enterprises, Inc.
 P.O. Box 16759 | Irvine | CA | 92623
 Phone: (949) 261-1920 | Fax: (949) 261-7451
 Website: www.pasternack.com | E-Mail: sales@pasternack.com

FSCM NO. 53919

CAD FILE 121115

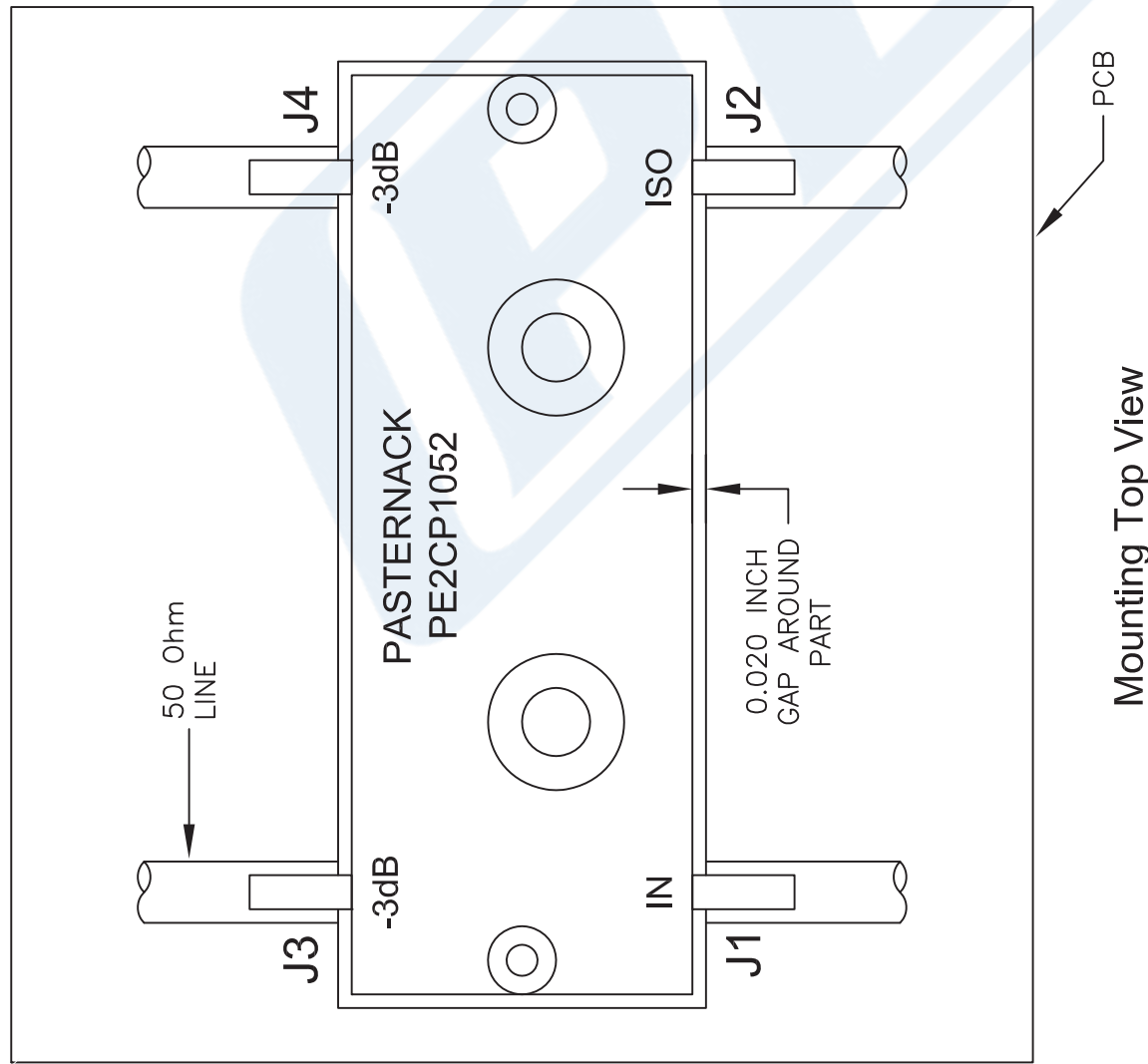
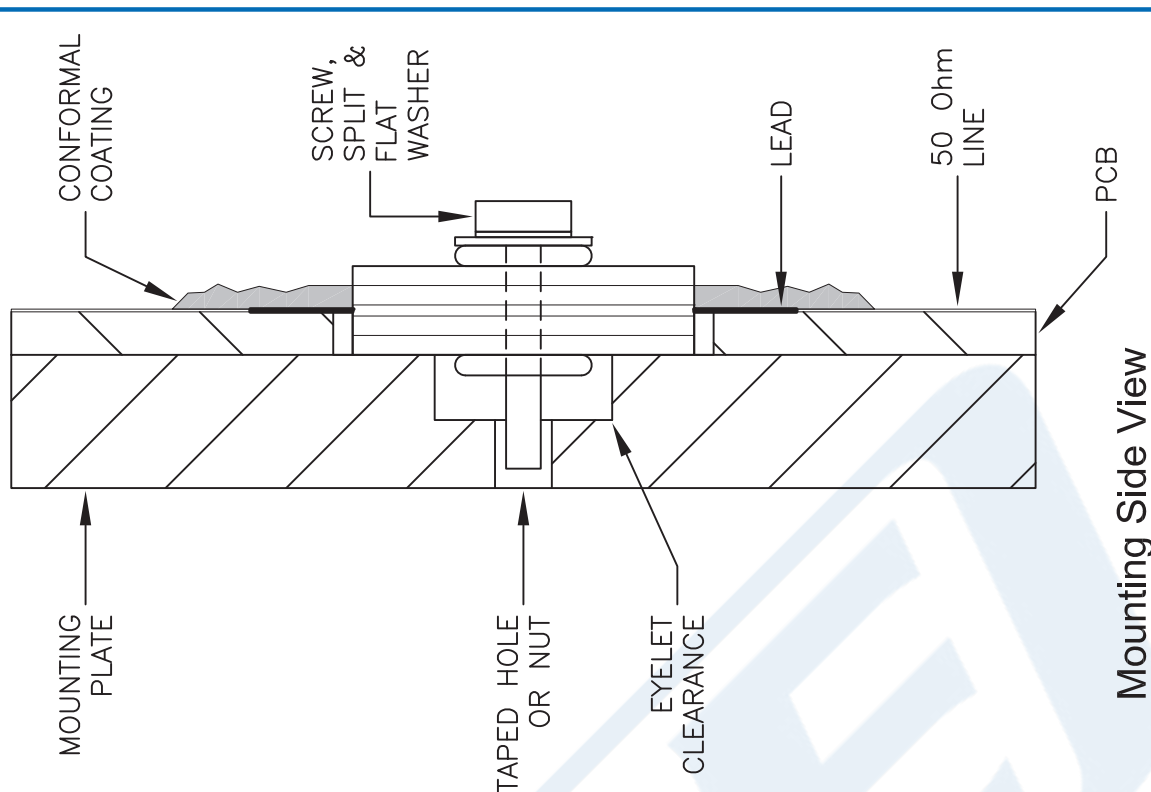
SCALE N/A

SIZE A

2233

PE2CP1052 CAD Drawing

90 Degree Drop-In Hybrid Coupler From 1 GHz to 3 GHz Rated to 150 Watts



NOTES:
 1. CONFORMAL COATING IS RECOMMENDED AT THE LEAD / 50 Ohm LINE INTERFACE FOR HIGH POWER APPLICATIONS TO PREVENT VOLTAGE ARCING.
 2. TO INSURE PROPER GROUNDING THE BOTTOM PLATE OF COUPLER MUST LAY FLAT ON MOUNTING SURFACE. PLEASE ALLOW CLEARANCE FOR ALL EYELET PROJECTIONS IN BASE PLATE.
 3. SOLDER LEADS TO 50 Ohm LINES USING LEAD FREE OR Sn63 ALLOY.
 4. TORQUE STAINLESS STEEL SCREW, SPLIT AND FLAT WASHER TO 2.5 in-lbs.

DWG TITLE PE2CP1052		CAD FILE 121115	SCALE N/A	SIZE A 2233
FSCM NO. 53919		NOTES: 1. UNLESS OTHERWISE SPECIFIED ALL DIMENSIONS ARE NOMINAL. 2. ALL SPECIFICATIONS ARE SUBJECT TO CHANGE WITHOUT NOTICE AT ANY TIME. 3. DIMENSIONS ARE IN INCHES [mm].		


PASTERNAK
 THE ENGINEER'S RF SOURCE
 Pasternack Enterprises, Inc.
 P.O. Box 16759 | Irvine | CA | 92623
 Phone: (949) 261-1920 | Fax: (949) 261-7451
 Website: www.pasternack.com | E-Mail: sales@pasternack.com