

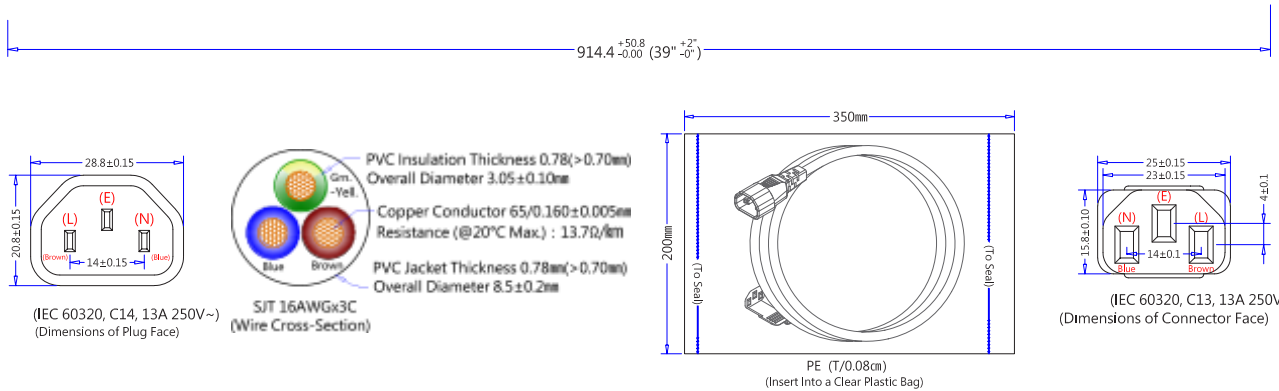
Mains Power Cord

IEC60320-C13 to IEC60320-C14,

**RoHS
Compliant**



Dimensions : Millimetres



Plug Component			Plug Component (Dimension)		
Colour	Component	Qty	Strip	ROJ	Colour
35P (Black)	(IEC 60320, C14, 13A 250V)	1	6 +1/-0	20 ±2	Brown (L)
Nickel-plated	2.0 × 4.0 (GEM 98672-1) (Computer Solid Blades, #16-#18)	3	6 +1/-0	20 ±2	Blue (N)
Black	(GS-009) (Computer 2 × 4 Serial Housing)	1	6 +1/-0	20 ±2	Green-Yellow (E)

Connector Component			Free End Terminal Style (Dimensions)		
(Instruction)	Qty.	Colour	ROJ	Strip	Colour
(IEC 60320, C13, 13A 250V)	1	35P (Black)	16±1	5 +1/-0	Brown (L)
2.0 × 4.0 GEM 98740BS-0 (#16-18) (Receptacle Terminal)	3	(Brass-Natural)	16±1	5 +1/-0	Blue (N)
GA005-5 (2.0 × 4.0 Serial Housing)	1	(Off-White)	16±1	5 +1/-0	Green-Yellow (E)

Mains Power Cord

IEC60320-C13 to IEC60320-C14,

Note

- 1, Hi-Pot Test : 1500V/1Sec; <0.5mA.
- 2, Continuity & Polarization Test : No short circuit, break circuit displacement.
- 3, Conductor Secureness Test : ≥18AWG 20lb; ≤18AWG 8lb; 1min.
- 4, Each end terminal shall be capable of withstanding a pull of #1820lb, #1630lb, #1450lb, #1270lb, #1080lb for 1min. without loosening.
- 5, Strain relief shall be Capable of withstanding a pull of ≤18AWG 20lb; ≥18AWG 30lb; 1min. without loosening.
- 6, All material according to Non-toxic standard.



Part Number Table

Description	Part Number
Mains Power Cord, IEC60320-C13 to IEC60320-C14, 13A, 250V, Black, 3.25ft	PE03902US-SJT-13

Important Notice : This data sheet and its contents (the "Information") belong to the members of the EASE group of companies (the "Group") or are licensed to it. No licence is granted for the use of it other than for information purposes in connection with the products to which it relates. No licence of any intellectual property rights is granted. The Information is subject to change without notice and replaces all data sheets previously supplied. The Information supplied is believed to be accurate but the Group assumes no responsibility for its accuracy or completeness, any error in or omission from it or for any use made of it. Users of this data sheet should check for themselves the Information and the suitability of the products for their purpose and not make any assumptions based on information included or omitted. Liability for loss or damage resulting from any reliance on the Information or use of it (including liability resulting from negligence or where the Group was aware of the possibility of such loss or damage arising) is excluded. This will not operate to limit or restrict the Group's liability for death or personal injury resulting from its negligence. EASE is the registered trademark of Ease Electronics Co., Limited 2019.