

Carrier_BT807042

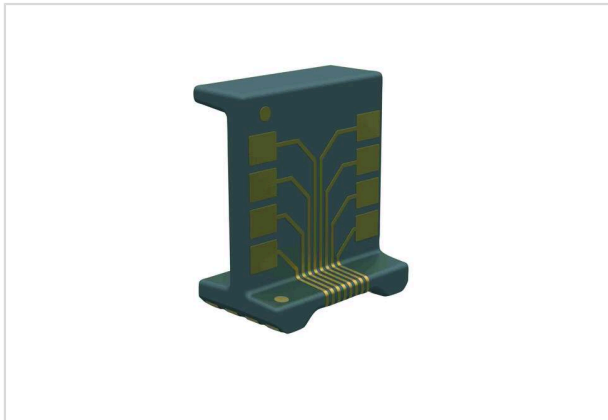


Image is for illustration purposes only. Please refer to product description.

Part number	78 01 030 0004
Specification	Carrier_BT807042
HARTING eCatalogue	https://b2b.harting.com/78010300004

Identification

Category	Surface Mount Device
Series	3D-MID
Element	Carrier for electronic components
Specification	Interconnection
Features	Other materials or trace layouts on request!

Version

Fixing	PCB assembly (SMD)
Pack contents	Tape & reel 1200 pieces on reel Lower quantities available on request!

Technical characteristics

Operating temperature	-40 ... +125 °C
Storage temperature	-40 ... +125 °C

Material properties

Material	Liquid crystal polymer (LCP)
Surface (contacts)	Au ($\geq 0.05 \mu\text{m}$) over Ni ($\geq 4 \mu\text{m}$) over Cu (5...11 μm)
Length	8 mm
Width	7 mm
Height	4.2 mm
RoHS	compliant
ELV status	compliant

Material properties

China RoHS	e
REACH Annex XVII substances	Not contained
REACH ANNEX XIV substances	Not contained
REACH SVHC substances	Not contained
California Proposition 65 substances	Not contained

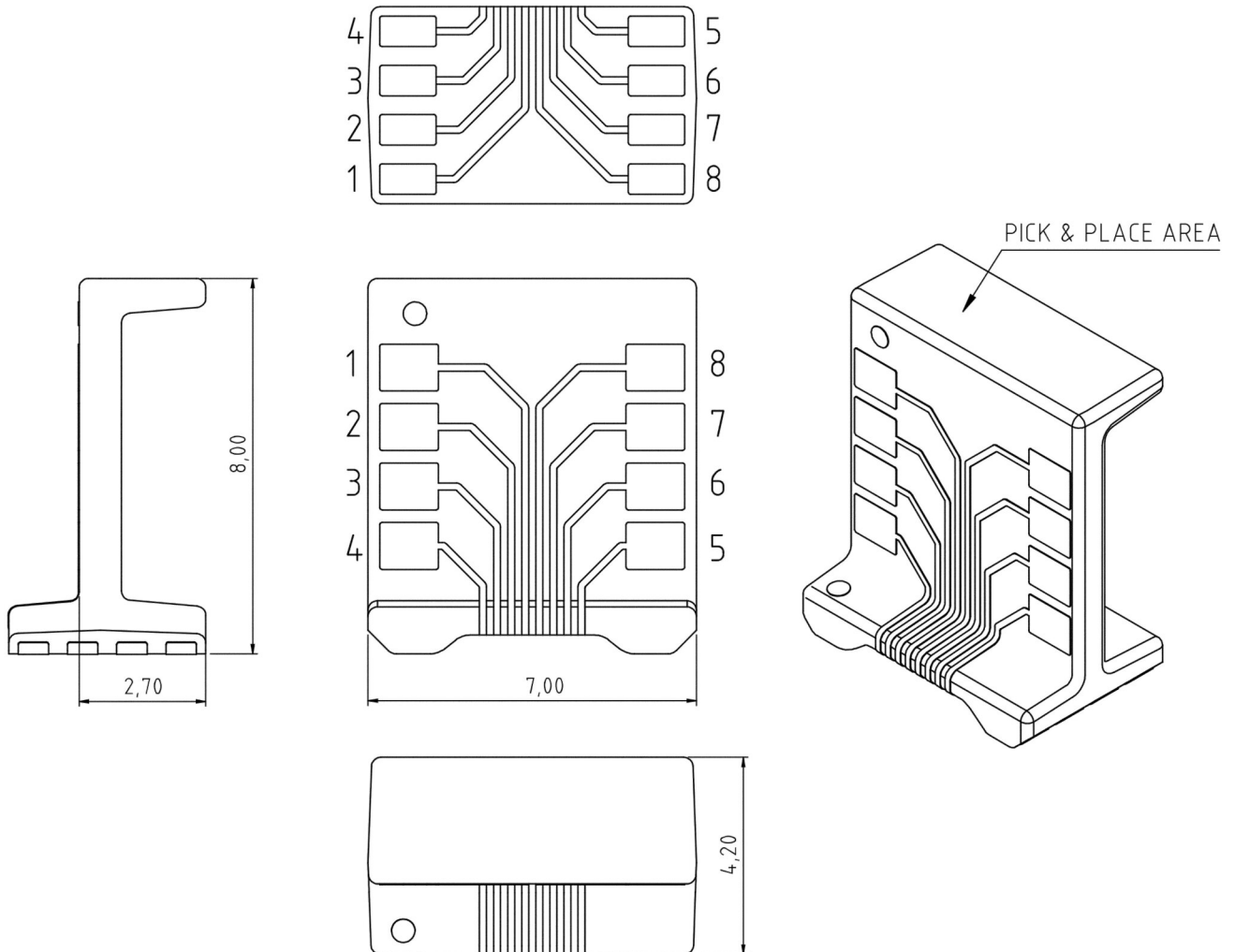
Commercial data

Packaging size	600
Country of origin	Switzerland
European customs tariff number	85340019
GTIN	5713140277380
ETIM	EC002637
eCl@ss	27469090 PCB connection technology (other, unspecified)

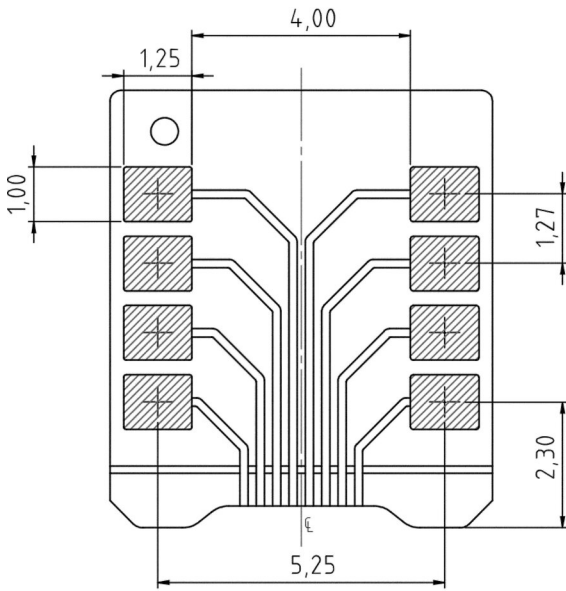
Other materials or trace layouts on request!



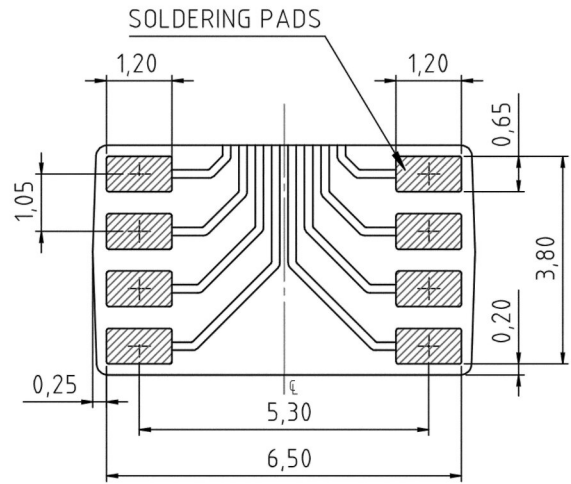
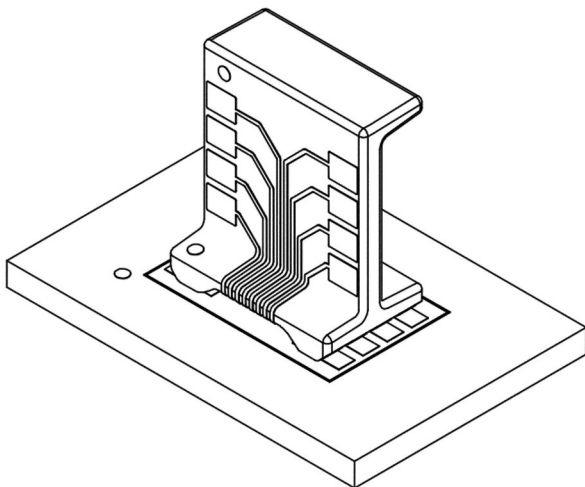
Drawing (dimensions in mm)



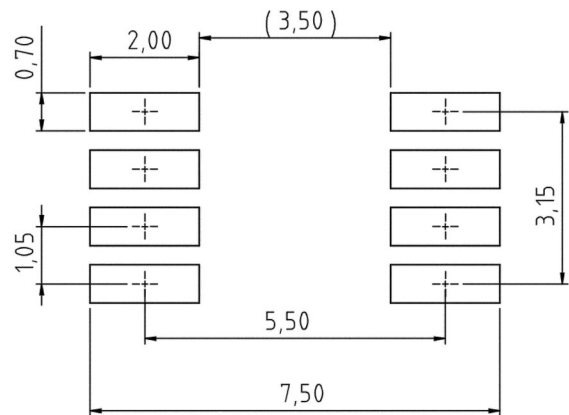
Drawing (dimensions in mm)



COMPONENT PADS LAYOUT
 SOIC-8



CARRIER PATTERN LAYOUT

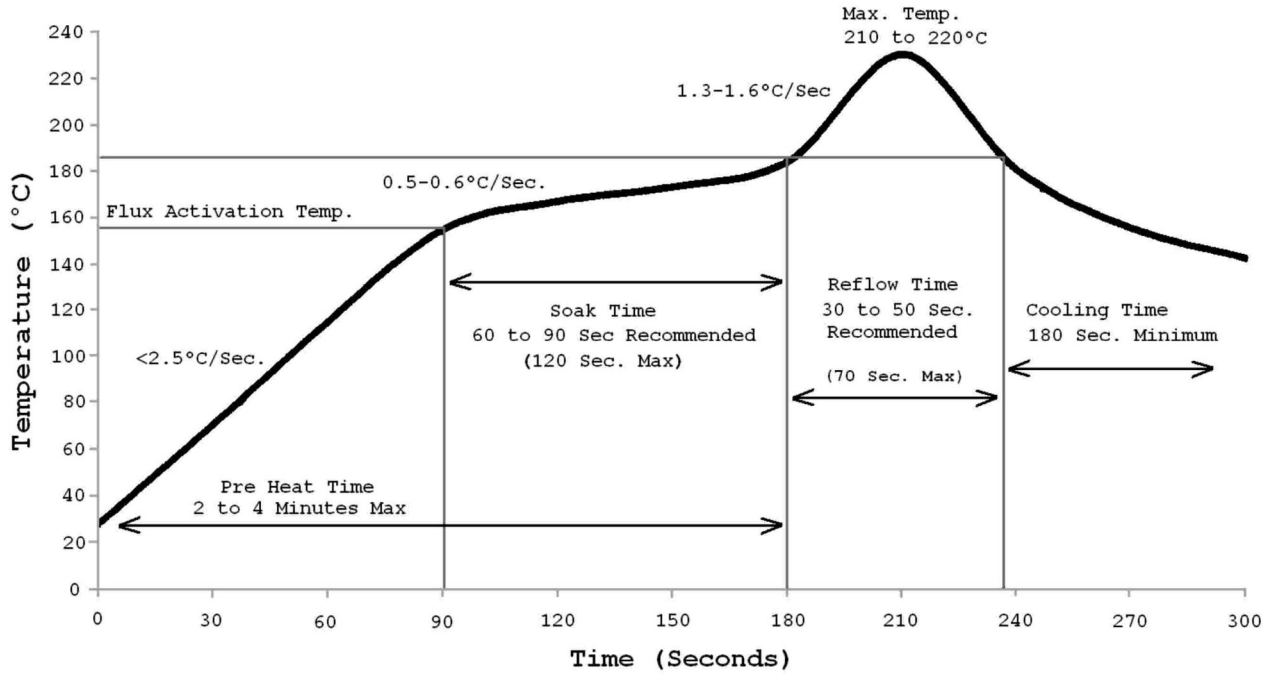


RECOMMENDED PCB PATTERN LAYOUT

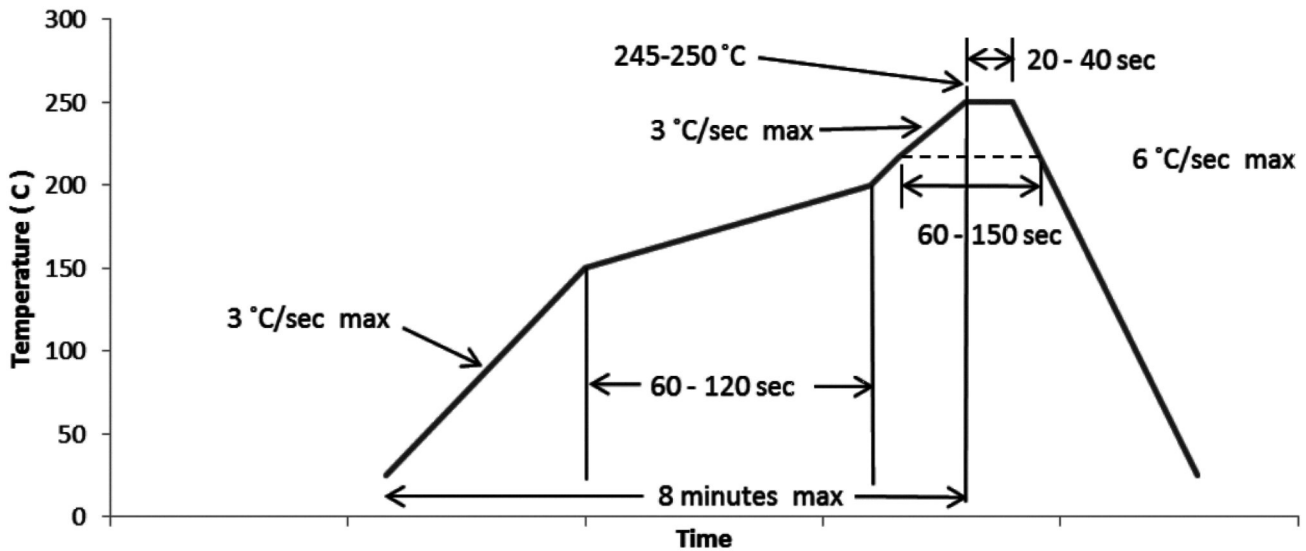


Pushing Performance
 Since 1945

Soldering instructions



PB-free soldering profile
 (J-STD-020C)

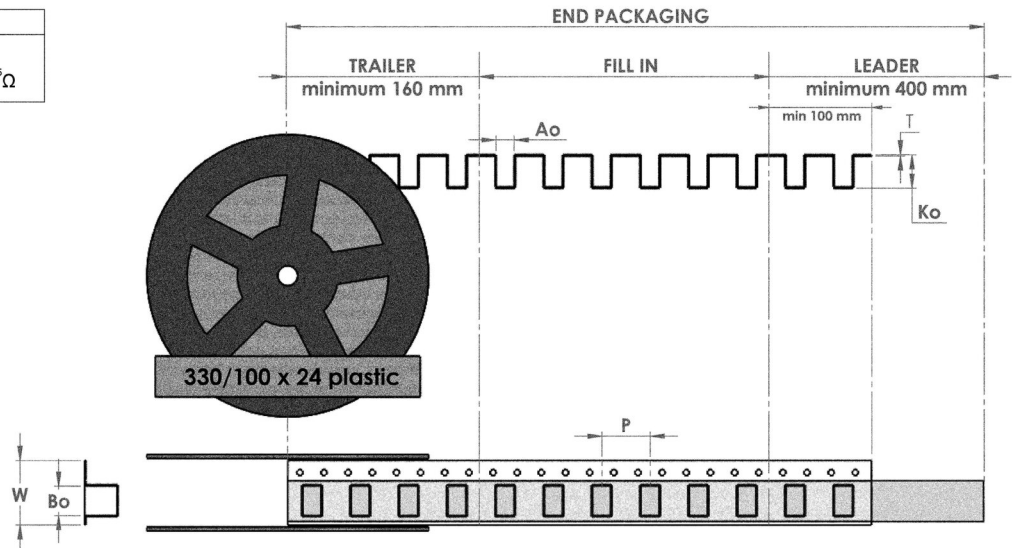



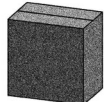
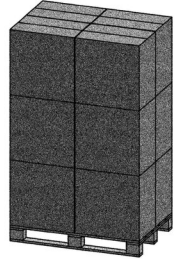
Tape layout & packaging

BT807042

MATERIAL	
PS Conductive Black	
surface resistance $10^7 \Omega - 10^5 \Omega$	

DIMENSIONS	
W	= 24 mm
P	= 12 mm
T	= 0,5 mm
Ao	= 4,5 mm
Bo	= 7,3 mm
Ko	= 8,3 mm
TRAILER 14 cvt	
FILL IN 600 pcs	
LEADER 34 cvt	



PACKING						
		REEL		BOX		PALLET
LENGTH		23m		230m		2,760 m
CAVITIES		1917 cvt		19170 cavities		230040 cavities
PARTS		1200 pcs [2x600]		12000 pcs		144000 pcs
WEIGHT		0,65kg		7,85 kg		109,18 kg
QTY		Single Reel		10 reels/box		12 boxes/pallet
DIMENSION		560/76 x 24 cardboard		39 x 58 x 58 [cm]		80 x 120 x 190 [cm]