

Han 16B / Han-Eco 16B Punching unit

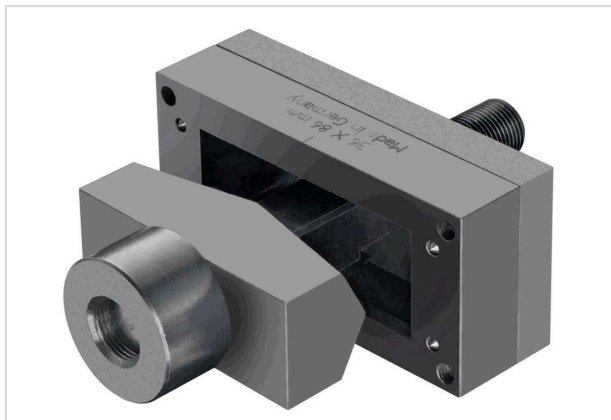


Image is for illustration purposes only. Please refer to product description.

Part number	09 99 000 0904
Specification	Han 16B / Han-Eco 16B Punching unit
HARTING eCatalogue	https://b2b.harting.com/09990000904

Identification

Category	Tools
Series of hoods/housings	Han [®] B Han-Eco [®] Modular
Type of tool	Punching units for hydraulic punch drivers

Version

Size	16 B
Plate thickness	≤2 mm structural grade carbon steel

Commercial data

Packaging size	1
Net weight	3,400 g
Country of origin	Germany
European customs tariff number	82073090
GTIN	5713140108240
eCl@ss	21049090 Hand tool (other, unspecified)