

Han EMC/B 24 Base Panel

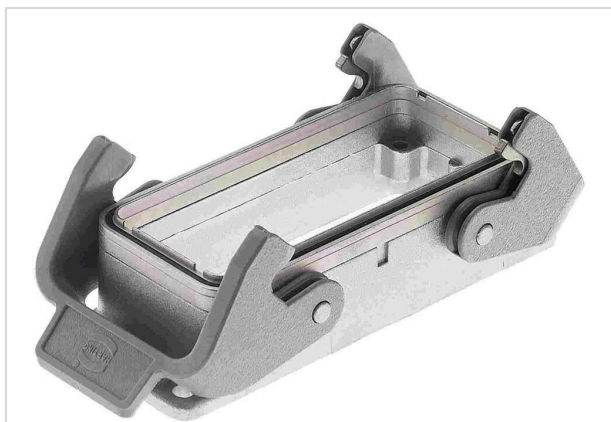


Image is for illustration purposes only. Please refer to product description.

Part number	09 62 824 0301
Specification	Han EMC/B 24 Base Panel
HARTING eCatalogue	https://b2b.harting.com/09628240301

Identification

Category	Hoods/Housings
Series of hoods/housings	Han [®] EMC/B
Type of hood/housing	Bulkhead mounted housing
Description of hood/housing	Internal seal
Type	Low construction

Version

Size	24 B
Locking type	Double locking lever
Han-Easy Lock [®]	Yes
Field of application	Hoods/Housings for higher EMC requirements

Technical characteristics

Limiting temperature	-40 ... +125 °C
Note on the limiting temperature	For use as a connector according to IEC 61984.
Degree of protection acc. to IEC 60529	IP65
Type rating acc. to UL 50 / UL 50E	4 12

Material properties

Material (hood/housing)	Aluminium die-cast
Surface (hood/housing)	Uncoated
Colour (hood/housing)	Unpainted



Pushing Performance
Since 1945

Material properties

Material (seal)	NBR
Material (locking)	Polycarbonate (PC) Stainless steel
Colour (locking)	RAL 7037 (dust grey)
Material flammability class acc. to UL 94 (locking levers)	V-0
RoHS	compliant
ELV status	compliant
China RoHS	e
REACH Annex XVII substances	Not contained
REACH ANNEX XIV substances	Not contained
REACH SVHC substances	Yes
REACH SVHC substances	Potassium 1,1,2,2,3,3,4,4,4-nonafluorobutane-1-sulphonate
California Proposition 65 substances	Yes
California Proposition 65 substances	Lead Nickel Naphthalene
Fire protection on railway vehicles	EN 45545-2 (2020-08)
Requirement set with Hazard Levels	R22 (HL 1-3) R23 (HL 1-3)

Specifications and approvals

UL / CSA	UL 1977 ECBT2.E235076 CSA-C22.2 No. 182.3 ECBT8.E235076
CE	Yes
Approvals	DNV GL

Commercial data

Packaging size	1
Net weight	150 g
Country of origin	Germany
European customs tariff number	85389099
GTIN	5713140074217
ETIM	EC000437
eCl@ss	27440202 Shell for industrial connectors