

HPP V4 USB 2.0 type A to type B

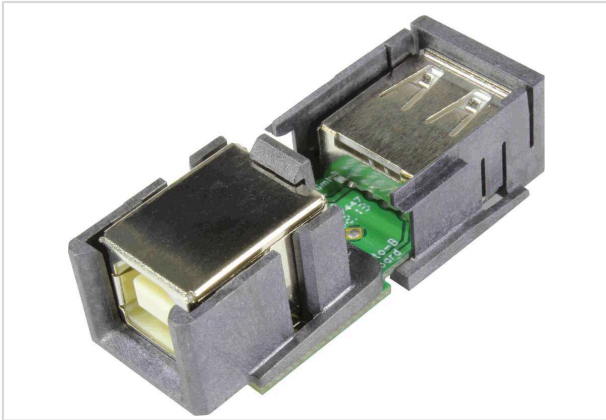


Image is for illustration purposes only. Please refer to product description.

| | |
|--------------------|---|
| Part number | 09 45 541 1910 |
| Specification | HPP V4 USB 2.0 type A to type B |
| HARTING eCatalogue | https://b2b.harting.com/09455411910 |

Identification

| | |
|----------------|--|
| Category | Connectors |
| Series | HARTING PushPull (V4) |
| Identification | USB |
| Element | Adapter PCB |
| Specification | USB 2.0 type A to USB 2.0 type B USB 2.0 type B to USB 2.0 type A |
| Adapter for | Jack to jack |

Version

| | |
|--------------------|--|
| Shielding | Fully shielded, 360° shielding contact |
| Number of contacts | 4 |

Technical characteristics

| | |
|----------------------|----------------|
| Limiting temperature | -40 ... +70 °C |
| Mating cycles | ≥750 |

Material properties

| | |
|-----------------------------|---------------|
| RoHS | compliant |
| ELV status | compliant |
| China RoHS | e |
| REACH Annex XVII substances | Not contained |
| REACH ANNEX XIV substances | Not contained |
| REACH SVHC substances | Not contained |

Material properties

| | |
|--------------------------------------|-------------------|
| California Proposition 65 substances | Yes |
| California Proposition 65 substances | Antimony trioxide |
| California Proposition 65 substances | Lead |
| California Proposition 65 substances | Naphthalene |

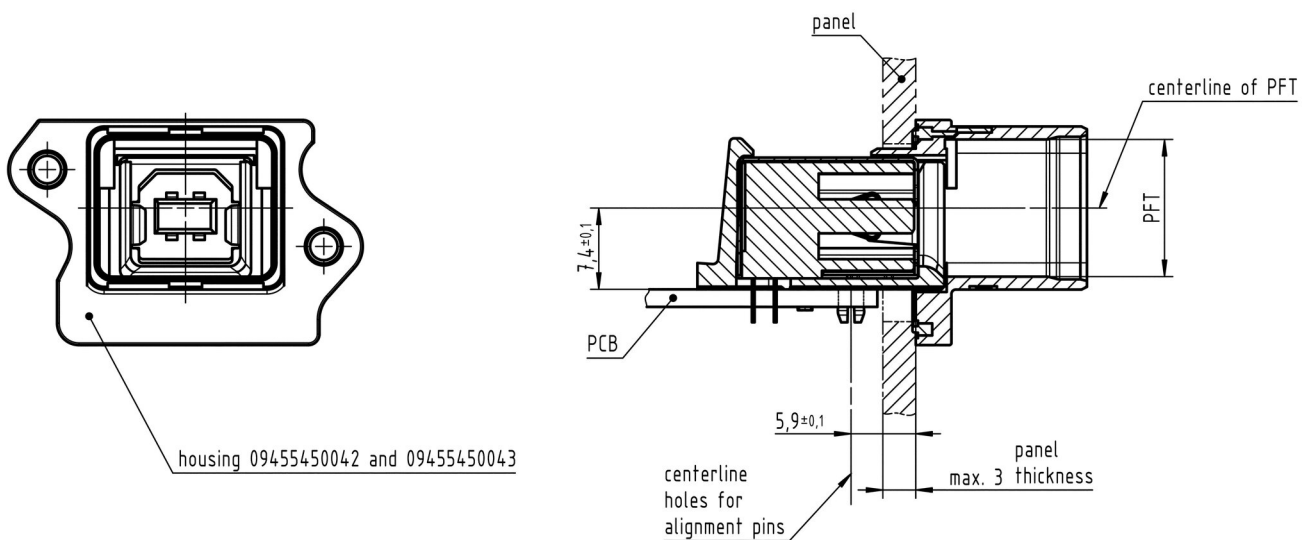
Specifications and approvals

| | |
|----------------|--------------------------------|
| Specifications | IEC 61076-3-106 Variant 4 (V4) |
| Approvals | DNV GL |

Commercial data

| | |
|--------------------------------|---|
| Packaging size | 1 |
| Net weight | 7.68 g |
| Country of origin | Germany |
| European customs tariff number | 85366990 |
| GTIN | 5713140061057 |
| eCl@ss | 27440205 Contact insert for industrial connectors |

Mounting instruction



Mounting instruction

