

## Han 3HC250 Frame for HPR-Compact

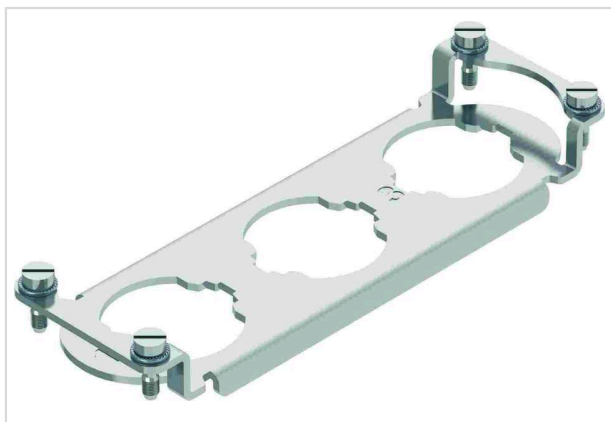


Image is for illustration purposes only. Please refer to product description.

Part number	09 40 524 9943
Specification	Han 3HC250 Frame for HPR-Compact
HARTING eCatalogue	<a href="https://b2b.harting.com/09405249943">https://b2b.harting.com/09405249943</a>

### Identification

Category	Accessories
Series of hoods/housings	Han <sup>®</sup> HPR Compact
Type of accessory	Frame
Description of the accessory	for male inserts for female inserts 3x Han <sup>®</sup> HC Modular 250

### Version

Size	24 B
------	------

### Technical characteristics

Tightening torque	0.5 Nm Fixing screws M3
-------------------	-------------------------

### Material properties

Material (accessories)	Metal
RoHS	compliant
ELV status	compliant
China RoHS	e
REACH Annex XVII substances	Not contained
REACH ANNEX XIV substances	Not contained
REACH SVHC substances	Not contained
California Proposition 65 substances	Not contained



**Pushing Performance**  
Since 1945

## Commercial data

Packaging size	1
Net weight	38 g
Country of origin	China
European customs tariff number	85389099
GTIN	5713140193987
ETIM	EC002310
eCl@ss	27440210 Fixing element for industrial connectors