

## Han 48HPR frame for 4X650A female

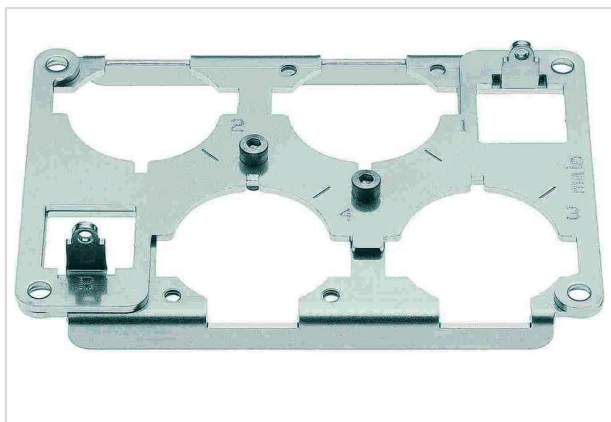


Image is for illustration purposes only. Please refer to product description.

|                    |   |
|--------------------|---|
| Part number        | 09 40 048 9911  |
| Specification      | Han 48HPR frame for 4X650A female   |
| HARTING eCatalogue | <a href="https://b2b.harting.com/09400489911">https://b2b.harting.com/09400489911</a> |

### Identification

|                              |  |
|------------------------------|--|
| Category                     | Accessories  |
| Series of hoods/housings     | Han <sup>®</sup> HPR   |
| Type of accessory            | Frame  |
| Description of the accessory | for female inserts<br>4x HC 650 contacts + 2x Han <sup>®</sup> Q 5/0 |

### Version

|        |        |
|--------|--------|
| Gender | Female |
| Size   | 48 HPR |

### Material properties

|                                      |               |
|--------------------------------------|---------------|
| Material (accessories)               | Metal         |
| RoHS                                 | compliant     |
| ELV status                           | compliant     |
| China RoHS                           | e             |
| REACH Annex XVII substances          | Not contained |
| REACH ANNEX XIV substances           | Not contained |
| REACH SVHC substances                | Not contained |
| California Proposition 65 substances | Yes           |
| California Proposition 65 substances | Nickel        |

### Commercial data

|                |   |
|----------------|---|
| Packaging size | 1 |
|----------------|---|



**Pushing Performance**  
Since 1945

## Commercial data

|                                |   |
|--------------------------------|---|
| Net weight                     | 191.34 g  |
| Country of origin              | Germany   |
| European customs tariff number | 85389099  |
| GTIN                           | 5713140058477                                     |
| ETIM                           | EC002310  |
| eCl@ss                         | 27440210 Fixing element for industrial connectors |