

Han K 3/0 Pos. Female Insert Screw Term.

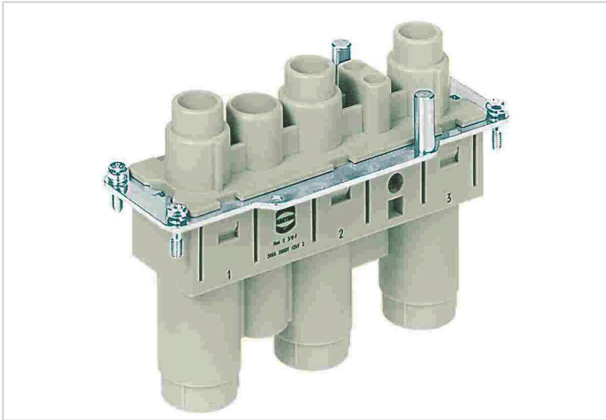


Image is for illustration purposes only. Please refer to product description.

Part number	09 38 005 2721
Specification	Han K 3/0 Pos. Female Insert Screw Term.
HARTING eCatalogue	https://b2b.harting.com/09380052721

Identification

Category	Inserts
Series	Han-Com®
Identification	Han® K 3/0
Specification	Straight

Version

Termination method	Axial screw termination
Gender	Female
Size	24 B
Number of contacts	3

Technical characteristics

Conductor cross-section	35 ... 70 mm ²
Rated current	200 A
Rated voltage conductor-earth	1,150 V
Rated voltage conductor-conductor	2,000 V
Rated impulse voltage	8 kV
Pollution degree	3
Rated current acc. to UL	200 A
Rated voltage acc. to UL	600 V
Rated current acc. to CSA	160 A
Rated voltage acc. to CSA	600 V
Insulation resistance	>10 ¹⁰ Ω



Pushing Performance
 Since 1945

Technical characteristics

Contact resistance	≤0.2 mΩ
Stripping length	22 mm
Tightening torque	8 Nm @ 35 mm ² 9 Nm @ 50 mm ² 10 Nm @ 70 mm ²
Limiting temperature	-40 ... +125 °C
Mating cycles	≥500

Material properties

Material (insert)	Polycarbonate (PC)
Colour (insert)	RAL 7032 (pebble grey)
Material (contacts)	Copper alloy
Surface (contacts)	Silver plated
Material flammability class acc. to UL 94	V-0
RoHS	compliant with exemption
RoHS exemptions	6(a) / 6(a)-I: Lead as an alloying element in steel for machining purposes and in galvanised steel containing up to 0,35 % lead by weight / Lead as an alloying element in steel for machining purposes containing up to 0,35 % lead by weight and in batch hot dip galvanised steel components containing up to 0,2 % lead by weight
ELV status	compliant with exemption
China RoHS	50
REACH Annex XVII substances	Not contained
REACH ANNEX XIV substances	Not contained
REACH SVHC substances	Yes
REACH SVHC substances	Lead
ECHA SCIP number	5dbb3851-b94e-4e88-97a1-571845975242
California Proposition 65 substances	Yes
California Proposition 65 substances	Lead Nickel
Fire protection on railway vehicles	EN 45545-2 (2020-08)
Requirement set with Hazard Levels	R22 (HL 1-3) R23 (HL 1-3)

Specifications and approvals

Specifications	IEC 60664-1 IEC 61984
----------------	--------------------------



Pushing Performance
Since 1945

Specifications and approvals

UL / CSA	UL 1977 ECBT2.E235076 CSA-C22.2 No. 182.3 ECBT8.E235076
Approvals	DNV GL

Commercial data

Packaging size	1
Net weight	296.67 g
Country of origin	Germany
European customs tariff number	85366990
GTIN	5713140056206
ETIM	EC000438
eCl@ss	27440205 Contact insert for industrial connectors