

## Han-Snap Standard Rail Fixing

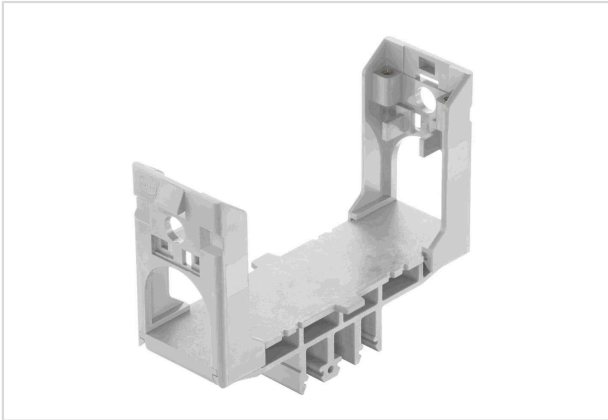


Image is for illustration purposes only. Please refer to product description.

|                    |   |
|--------------------|---|
| Part number        | 09 33 000 9989  |
| Specification      | Han-Snap Standard Rail Fixing   |
| HARTING eCatalogue | <a href="https://b2b.harting.com/09330009989">https://b2b.harting.com/09330009989</a> |

### Identification

|                              |                                   |
|------------------------------|-----------------------------------|
| Category                     | Accessories                       |
| Series                       | Han-Snap®                         |
| Type of accessory            | Insert mounting                   |
| Description of the accessory | With carrier element<br>Type 6/24 |

### Version

|               |  |
|---------------|--|
| Pack contents | 2 insert mounting parts<br>1 carrier element |
|---------------|--|

### Technical characteristics

|                      |                 |
|----------------------|-----------------|
| Tightening torque    | 0.8 Nm          |
| Limiting temperature | -40 ... +125 °C |
| Retention force      | ≥450 N On rail  |

### Material properties

|   |  |
|---|--|
| Material (accessories)                    | Polycarbonate (PC)                                     |
| Colour (accessories)                      | RAL 7032 (pebble grey)                                 |
| Material flammability class acc. to UL 94 | V-0  |
| RoHS                                      | compliant with exemption                               |
| RoHS exemptions                           | 6(c): Copper alloy containing up to 4 % lead by weight |
| ELV status                                | compliant with exemption                               |
| China RoHS                                | 50   |
| REACH Annex XVII substances               | Not contained  |



Pushing Performance  
Since 1945

## Material properties

|                                      |   |
|--------------------------------------|---|
| REACH ANNEX XIV substances           | Not contained   |
| REACH SVHC substances                | Yes   |
| REACH SVHC substances                | Potassium 1,1,2,2,3,3,4,4,4-nonafluorobutane-1-sulphonate<br>Lead |
| ECHA SCIP number                     | b51e5b97-eeb5-438b-8538-f1771d43c17d                              |
| California Proposition 65 substances | Yes   |
| California Proposition 65 substances | Lead  |
| Fire protection on railway vehicles  | EN 45545-2 (2020-08)  |
| Requirement set with Hazard Levels   | R22 (HL 1-3)<br>R23 (HL 1-3)                                      |

## Specifications and approvals

|                |  |
|----------------|--|
| Specifications | IEC 60068-2-6 Vibration (sinusoidal)<br>IEC 60068-2-27 Shock |
|----------------|--|

## Commercial data

|                                |   |
|--------------------------------|---|
| Packaging size                 | 10  |
| Net weight                     | 59.33 g   |
| Country of origin              | Germany   |
| European customs tariff number | 85389099  |
| GTIN                           | 5713140050662                                     |
| ETIM                           | EC002310  |
| eCl@ss                         | 27440210 Fixing element for industrial connectors |