

Han 6 HsB-SMC-MI-CRT

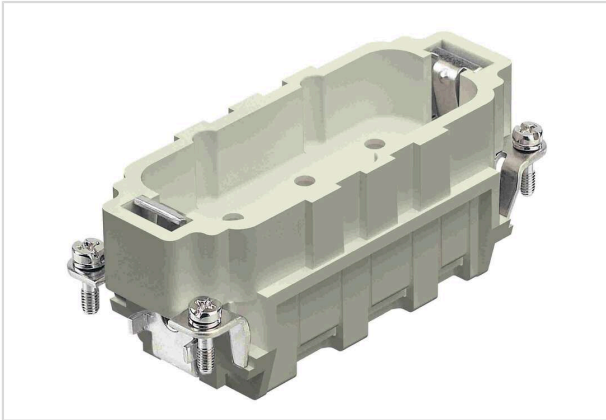


Image is for illustration purposes only. Please refer to product description.

Part number	09 31 006 3001
Specification	Han 6 HsB-SMC-MI-CRT
HARTING eCatalogue	https://b2b.harting.com/09310063001

Identification

Category	Inserts
Series	Han [®] HsB

Version

Termination method	Crimp termination
Gender	Male
Size	16 B
Number of contacts	6
PE contact	Yes
Details	Please order crimp contacts separately.

Technical characteristics

Conductor cross-section	1.5 ... 10 mm ²
Conductor cross-section	AWG 16 ... AWG 8
Rated current	35 A
Rated voltage conductor-earth	400 V
Rated voltage conductor-conductor	690 V
Rated impulse voltage	6 kV
Pollution degree	3
Rated voltage acc. to UL	600 V
Rated voltage acc. to CSA	600 V
Insulation resistance	>10 ¹⁰ Ω
Limiting temperature	-40 ... +125 °C



Pushing Performance
Since 1945

Technical characteristics

Mating cycles	≥500
---------------	------

Material properties

Material (insert)	Polycarbonate (PC)
Colour (insert)	RAL 7032 (pebble grey)
Material flammability class acc. to UL 94	V-0
RoHS	compliant
ELV status	compliant
China RoHS	e
REACH Annex XVII substances	Not contained
REACH ANNEX XIV substances	Not contained
REACH SVHC substances	Not contained
Fire protection on railway vehicles	EN 45545-2 (2020-08)
Requirement set with Hazard Levels	R22 (HL 1-3) R23 (HL 1-3)

Specifications and approvals

Specifications	IEC 60664-1 IEC 61984
----------------	--------------------------

Commercial data

Packaging size	1
Net weight	60.55 g
Country of origin	Romania
European customs tariff number	85366990
GTIN	5713140186392
ETIM	EC000438
eCl@ss	27440205 Contact insert for industrial connectors