

Han hinged frame plus, for 6 modules a-f

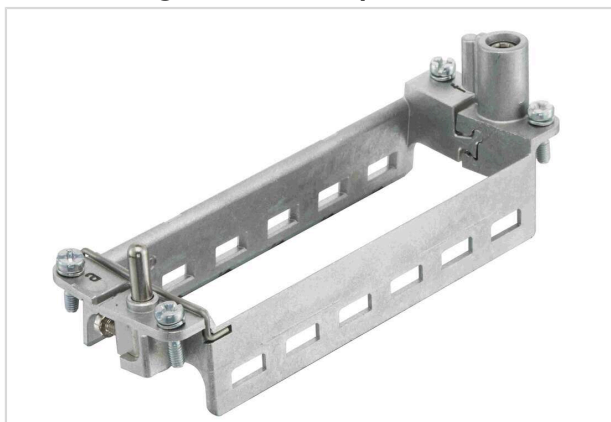


Image is for illustration purposes only. Please refer to product description.

Part number	09 14 024 0371
Specification	Han hinged frame plus, for 6 modules a-f
HARTING eCatalogue	https://b2b.harting.com/09140240371

Identification

Category	Accessories
Series	Han-Modular®
Type of accessory	Hinged frame plus
Description of the accessory	for 6 modules a ... f

Version

Size	24 B
------	------

Technical characteristics

Conductor cross-section	1 ... 10 mm ² PE (power side) 0.5 ... 2.5 mm ² PE (signal side) The use of ferrules is recommended, conductor cross-section 10 mm ² only with ferrule crimping tool 09 99 000 0374.
Limiting temperature	-40 ... +125 °C
Mating cycles	≥500

Material properties

Material	Zinc die-cast Stainless steel
RoHS	compliant with exemption
RoHS exemptions	6(c): Copper alloy containing up to 4 % lead by weight
ELV status	compliant with exemption
China RoHS	50
REACH Annex XVII substances	Not contained



Pushing Performance
Since 1945

Material properties

REACH ANNEX XIV substances	Not contained
REACH SVHC substances	Yes
REACH SVHC substances	Lead
ECHA SCIP number	564b7d75-7bf6-4cfb-acb1-2168eb61b675
California Proposition 65 substances	Yes
California Proposition 65 substances	Lead
Fire protection on railway vehicles	EN 45545-2 (2020-08)
Requirement set with Hazard Levels	R26

Specifications and approvals

Specifications	IEC 60664-1 IEC 61984
UL / CSA	UL 1977 ECBT2.E235076
Approvals	DNV GL

Commercial data

Packaging size	1
Net weight	78 g
Country of origin	Germany
European customs tariff number	85389099
GTIN	5713140161818
ETIM	EC002312
eCl@ss	27440206 Module carrier frame for industrial connectors